

For TCD Repairs, Falk Delivers

With unparalleled performance and reliability, Falk® TCD Gear Boxes set the industry standard. Many of our TCD Gear Boxes have continuously performed for over 60 years. When a repair is needed, our highly trained team of Rexnord Industrial Service technicians are ready with fast and precise service to minimize downtime and maximize performance.

WHAT TO EXPECT DURING TCD REPAIRS:

- Onsite OEM field service expertise from trained technicians.
- Drop-in OEM replacement parts that ensure the same footprint.
- State-of-the-art materials, backed with the industry's best warranty.
- Reliability for years of service, thanks to Genuine Falk Gear Parts.
- A lower total cost of ownership for long-term savings.
- [Smart Tag](#) QR coding with accessible information and service history.
- [Smart Condition Monitoring System](#) options for future protection.
- A detailed repair report with photos for every repair.

Industries Served

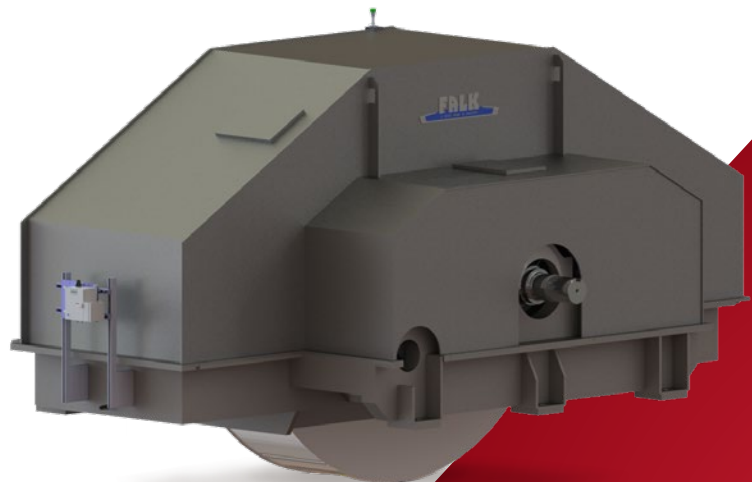
Aggregate
Cement
Primary Metals
Power Generation

Questions:

REPAIRS
877-935-9750 or
falkrenew@rexnord.com

FIELD SERVICE
800-235-6371 or
fieldservice@rexnord.com

GEAR PARTS
414-935-9345 or
gear.service.parts@rexnord.com





Trust The Reliable Performance of Falk Gear Parts



OPTIMUM PERFORMANCE

Keep your production running strong. Genuine Falk® Gear Parts are matched to your original specifications, tested, and specifically designed to meet the rugged Falk and Rexnord quality standards for superior performance in all power transmission equipment.

HIGH-QUALITY GEARS & PARTS

Rexnord offers over 100 years of engineering expertise to ensure the high-quality Genuine Falk Gear Parts deliver full interchangeability. Our gear components are compatible with all makes of gearboxes and gear equipment, including open gears, custom gear elements, and engineered upgrades.

VALUABLE EXPERTISE

Our extensive product portfolio is accompanied by global sales specialists, customer service, and maintenance support teams, available anytime. With over a hundred years of experience and engineering skill, Rexnord is a name you can trust.

WORLDWIDE SERVICE

With Genuine Falk Gear Parts, Rexnord drives uptime for customers around the globe. Backed by an extensive network of distributors and select repair shop partners, Rexnord helps customers keep their gear drives and power transmission systems operating like new.

INDUSTRY-LEADING TURNAROUND TIMES

Rexnord manufactures original equipment, including high-quality gears, with industry-leading turnaround times. Through tested programs focused on shortened lead times, Rexnord can deliver gears and parts to meet your plant's needs.

Why Choose Rexnord?

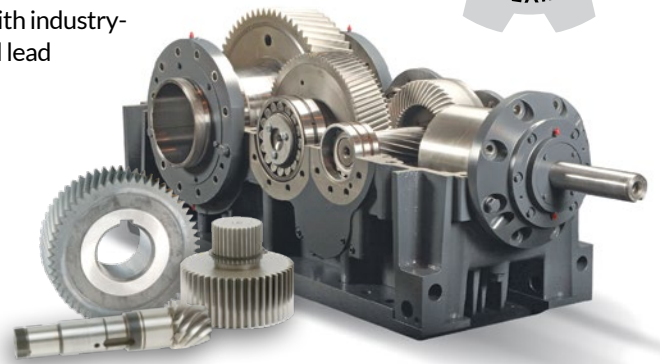
Rexnord is the most reliable provider of highly engineered products in the industry. We provide equipment to improve the efficiency, productivity, and reliability of industrial applications worldwide. Our commitment to customer satisfaction and superior value extends to every area of our business.

Delivering Lowest Total Cost of Ownership

Rexnord's high-quality products are designed to minimize and prevent equipment downtime, increase productivity and uptime, and deliver dependable operation. The results are a lower total cost of ownership for our customers.

Solutions to Enhance Ease of Doing Business

Our commitment to operational excellence means you benefit from getting the right products to the right place at the right time. We offer fast and precise service and delivery to help you avoid the cost of unplanned downtime.



rexnord.com

Contact us — visit rexnord.com/contact

