



**Key Industries:**

- Chemical & Plastics Processing
- Energy
- Food
- Mining
- Pulp & Paper
- Steel Processing

**Key Applications:**

- Billet transfer drives
- Centrifuges
- Conveyors
- Crushers
- Extruders
- Filter presses
- Pumps

# Autogard 406W Torque Limiter

**Combining the reliability of the Autogard 400 Series Torque Limiter with the proven quality of the Falk Wrapflex Elastomeric Coupling.**

Rexnord combines the quality and reliability of the Autogard® 400 Series Torque Limiter with the proven reputation of the Falk® Wrapflex® Elastomeric Coupling, offering customers the Autogard 406W Torque Limiter. With the coupling adapted to the torque limiter, it provides customers overload protection in shaft-to-shaft applications where misalignment needs to be accommodated.

The Autogard 400 Series Torque Limiter is designed to meet the need for a high- and low-speed, free-wheeling torque limiter to help protect equipment during shock loads, overloads and jams in industries including chemical & plastics processing, energy, food, mining, and more. This Series differs from other ball detent designs by incorporating a unique reverse-to-reset feature for quick re-engagement and reduced downtime.

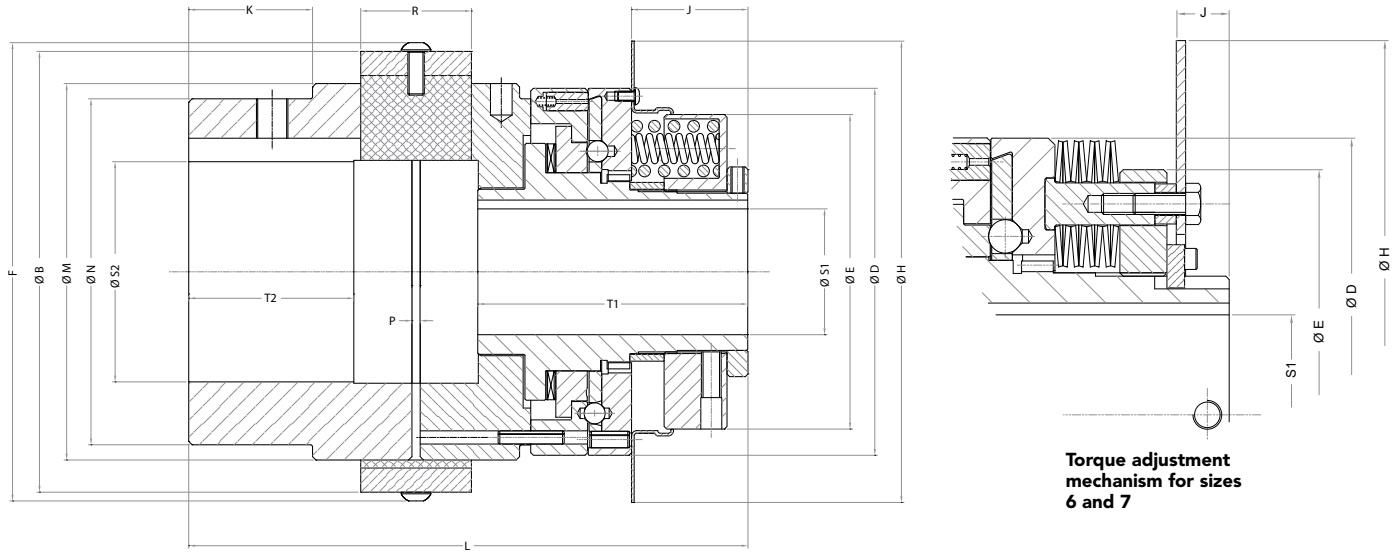
The Falk Wrapflex Elastomeric Coupling's polyurethane element provides excellent wear and chemical resistance to ensure long life while also boasting a patented axial thrust tab feature that reduces axial thrust forces on connected equipment.

**Features and benefits:**

- Accurate and consistent torque setting with instant and complete disengagement of the driving and driven inertias, and bi-directional and repeatable protection to help protect your equipment and prevent costly downtime
- Free-wheeling feature to support higher speeds
- Wide range of torque settings to meet specific application requirements
- The Falk Wrapflex Elastomeric Coupling is torsionally resilient and accommodates angular, parallel and axial misalignment for many applications, while its patented design ensures long life



Autogard 406W Torque Limiter dimensional drawings



Torque adjustment mechanism for sizes 6 and 7

Size	Torque		Max. <sup>①</sup> Speed rpm	Max. Misalignment Axial ±in	Max. Misalignment Parallel in	Max. Misalignment Angular degrees	Weight <sup>②</sup> lbs	Mass Moment of Inertia MR <sup>2②</sup>	
	Min. lb-in	Max. lb-in						S1 Side lb-in <sup>2</sup>	S2 Side lb-in <sup>2</sup>
1/5R	6	250	3,600	0.008	0.04	1.00	5	0.7	0.4
2/30R	80	2,000	3,600	0.008	0.08	1.00	22	12	40
3/40R	120	6,000	3,600	0.019	0.08	1.00	43	44	250
4/50R	250	10,000	2,000	0.019	0.08	1.00	78	79	290
5/60R	700	22,500	2,000	0.020	0.08	1.00	140	370	720
6/70R	6,000	50,000	1,800	0.019	0.08	1.00	230	880	2,200
7/80R	23,000	100,000	1,800	0.025	0.08	1.00	395	1,800	4,500

① Higher speeds may be allowed under certain conditions. Please consult Rexnord.

② Weights and Mass Moments of Inertia apply to maximum S1 and S2 bores.

Size <sup>②</sup>	Max. Bore <sup>①</sup> S1 in	Max. Bore <sup>①</sup> S2 in	B in	D in	E in	F in	H in	J in	K in	L in	M in	N in	P in	T1 in	T2 in
1/5R	0.625	1.625	3.01	3.15	2.19	3.16	4.33	0.87	0.79	4.17	2.52	2.36	0.08	2.31	0.98
2/30R	1.125	2.875	5.77	4.36	3.42	6.01	5.50	1.77	1.81	8.01	4.65	4.13	0.08	4.25	2.24
3/40R	1.625	3.375	7.17	5.75	4.72	7.48	7.25	1.77	2.13	9.095	5.91	5.12	0.19	4.51	2.60
4/50R	2.000	4.125	9.09	6.55	5.38	9.41	8.00	1.81	2.32	10.24	7.48	7.01	0.19	4.77	2.99
5/60R	3.000	5.250	10.51	8.75	7.50	10.94	11.00	2.72	2.95	13.33	8.98	8.25	0.20	6.44	3.94
6/70R	4.000	6.125	12.20	10.35	9.25	12.64	12.00	0.98	3.54	15.50	10.63	9.88	0.19	7.46	4.72
7/80R	5.000	7.250	14.57	12.48	11.13	15.00	15.25	1.10	4.02	18.00	12.91	10.63	0.25	8.63	5.51

① Standard bore tolerances = H8 + standard key fit.

② For size 6 and above, clearance is required for adjustment. Please consult Rexnord.