

**Applications:**

- Hydrostratic drives
- Cranes, Winches, Hoists
- Tracking and turning transmissions
- Excavators

**Features:**

- Hydraulically released
- Modular design
- Wet and dry operation

**Benefits:**

- Robust and reliable
- Small dimensions
- Low residual torque
- Maintenance-free
- Customized solutions

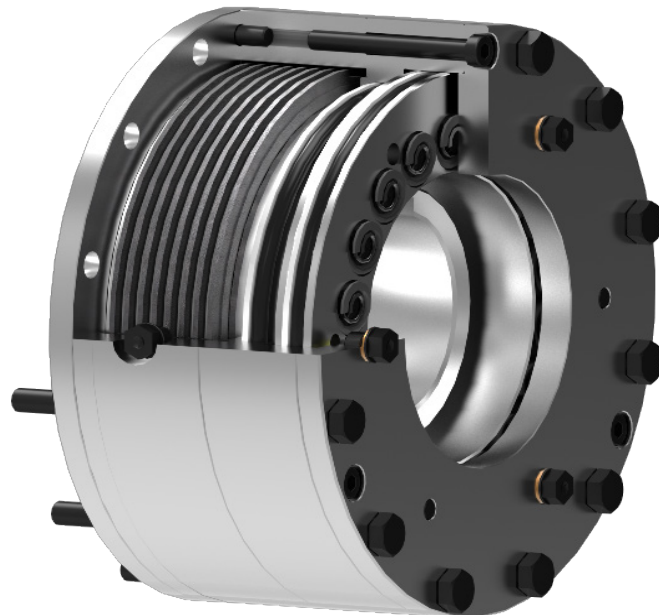
## Rexnord BSD Brakes Series 790x

**Customer-focused Solutions.  
Reliable Performance.  
Trusted Brands.**

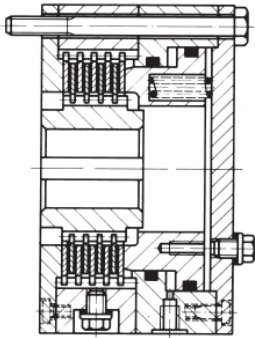
You want a trusted name when it comes to providing engineered power transmission products that improve productivity and efficiency. Rexnord provides superior products for your industrial applications world wide. We work closely with you to reduce maintenance costs, eliminate redundant inventories and prevent equipment downtime.

Rexnord BSD® hydraulically released, spring loaded multi disc brakes are most efficiently used as safety and retaining brakes in hydrostatic drives of all kinds thus increasing the lifetime of your equipment.

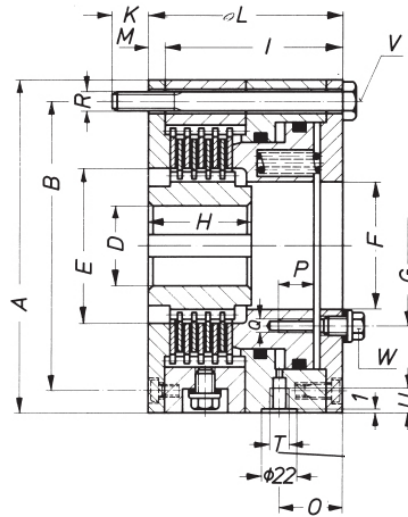
Standard modular parts as well as customized solutions have been successfully supplied to worldwide customers for years.



Type 7900 and 7920



Type 7900 and 7920



Size	790x, 791x				Min. Actuation Pressure bar	792x, 793x				Min. Actuation Pressure bar	Max. Speed $n_{max}$ min <sup>-1</sup>	790x - 793x		Moment of Inertia		Weight (1) m kg
	Torque Rating		Torque Rating			Torque Rating		Torque Rating				Stroke Volume New Condition cm <sup>3</sup>	Max. Wear cm <sup>3</sup>	Incl. Hub (1) J kgm <sup>2</sup>	Excl. Hub J kgm <sup>2</sup>	
	Dry Operation		Wet Operation			Dry Operation		Wet Operation								
	Tü Nm	Ts Nm	Tü Nm	Ts Nm		Tü Nm	Ts Nm	Tü Nm	Ts Nm							
6,3	63	50	40	30	12	100	80	63	50	22	3000	4,3	9	0,0002	0,0001	4
10	100	80	63	50	15	140	110	80	60	20	3000	5	10	0,0004	0,0001	5,5
16	160	130	100	80	13	200	160	120	90	17	3000	9	20	0,0007	0,0002	8
25	250	200	160	120	15	350	290	210	160	21	3000	10	20	0,001	0,0005	10
40	400	330	250	190	22	500	410	310	240	30	2500	10	20	0,0023	0,0007	11
63	630	520	400	300	23	900	770	580	440	32	2500	12	25	0,0038	0,0018	16
100	1000	800	630	480	23	1400	1100	880	680	32	2000	16	35	0,0088	0,0035	20
160	1600	1300	1000	800	29	2600	2100	1600	1200	39	2000	20	45	0,0175	0,01	27
250	2500	2000	1600	1200	23	4300	3500	2600	2000	32	1500	33	80	0,055	0,0375	50
400	4000	3300	2500	1900	24	7500	6200	4600	3500	35	1250	33	90	0,115	0,084	77
630	6300	5200	4000	3000	14	10000	8000	6300	4800	29	1000	80	220	0,288	0,185	120
1000	10000	8000	6300	4800	15	16000	13000	10000	8000	24	800	185	313	0,539	0,441	172
1600	16000	13000	10000	8000	15	25000	20000	16000	12000	22	700	260	441	0,973	0,686	217
2500	25000	20000	16000	12000	10	40000	33000	25000	19000	15	500	490	786	4,064	2,376	450

Size	Diameters in mm													Lengths in mm													No. of holes	
	A <sub>7</sub>	B	C <sup>H7</sup>	D <sup>H7</sup> <sub>max</sub>	D1 <sup>H7</sup>	E	F	G	Q	R	R <sub>1</sub>	T	H	I	K	L	L <sub>1</sub>	M	N <sup>±0,1</sup>	O	O <sub>1</sub>	P	S	U	V	W		
6,3	110	95	72,2	25	83	57	40	60	M4	M6	6,4	M10x1	35	60	15	65	55	5	2	23,5	18,5	10	20	9	6	3		
10	120	100	72,2	30	86	57	45	57	M6	M8	8,4	M12x1,5	40	69	15	75	63	6	2	27	21	15	24	13	6	3		
16	135	115	82,2	40	100	61	53	66	M6	M8	8,4	M12x1,5	45	72	15	80	65	8	2	28,5	21,5	15	24,5	13	12	3		
25	150	130	100,2	45	115	77	65	79	M6	M8	8,4	M12x1,5	50	77	15	85	70	8	2	28,5	21,5	15	28	13	12	3		
40	155	135	108,3	50	120	85	72	87	M6	M8	8,4	M12x1,5	55	82	20	90	74	8	2	32,5	24,5	15	29	13	12	3		
63	180	160	132	55	142	91	77	110	M6	M10	10,5	M12x1,5	55	86	15	95	78	9	2,5	34,5	26,5	15	30	13	12	3		
100	200	180	147,2	65	163	110	90	128	M8	M10	10,5	M12x1,5	60	92	20	100	84	8	2	35,3	25	20	36,5	13	12	3		
160	230	210	180,5	85	192	122	112	158	M8	M12	13	M12x1,5	70	100	20	110	90	10	3	37	27	20	37	13	12	3		
250	290	265	231,5	100	242	143	143	200	M10	M12	13	M12x1,5	90	123	25	135	111	12	3	41	29	20	54	13	12	3		
400	345	315	279,5	125	290	167	167	240	M10	M16	17	M12x1,5	95	130	25	145	115	15	3	46	31	20	54	13	12	3		
630	400	370	330,5	150	345	209	205	280	M10	M16	17	M12x1,5	105	148	25	165	131	17	3	58	36	20	62	13	12	3		
1000	480	440	392,5	170	410	230	220	340	M12	M20	21	M12x1,5	110	173	25	195	151	22	3	58	36	30	74	13	12	3		
1600	555	510	440,5	200	470	270	250	390	M16	M24	25	M12x1,5	125	198	40	220	176	22	3	66	44	35	87	13	12	3		
2500	710	665	584	300	622	405	380	475	M16	M24	25	M12x1,5	135	228	50	250	206	22	3	72	50	35	99	13	12	3		

(1) Refer to max. bores  
 • HD version 792x, 793x from size 630 with 2 keyways set at 180°  
 • Max. admissible sytem pressure 300 bar  
 • Friction pairs steel / sinter bronze, for wet and dry operation

Data subject to change without notice.  
 Please consult Rexnord for larger sizes or special design requirements.