



Applications:

- Large gears
- Pumps
- Rolling mills
- Iron and steel machinery
- Bucket elevators

Features:

- Large bore capacities
- Oil or grease filling
- Cover as torque arm

Benefits:

- Robust and reliable
- Easy to install
- Maintenance-free

Rexnord BSD Backstops Series 2260 and 2270

Customer-focused Solutions.

Reliable Performance.

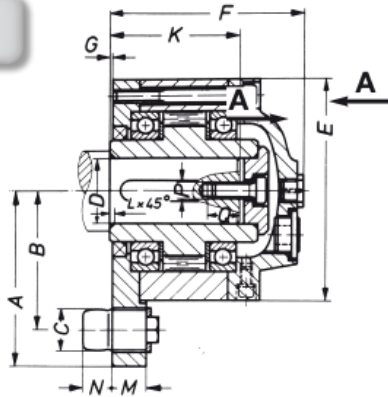
Trusted Brands.

You want a trusted name when it comes to providing engineered power transmission products that improve productivity and efficiency. Rexnord provides superior products for your industrial applications world wide. We work closely with you to reduce maintenance costs, eliminate redundant inventories and prevent equipment downtime.

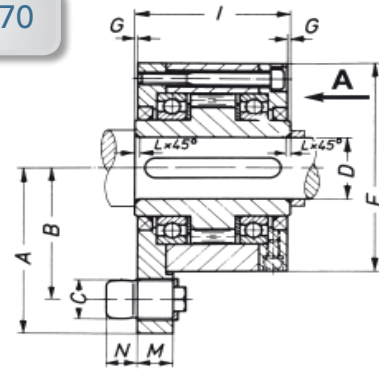
Rexnord BSD® backstops Series 2260 increase the safety and reliability of your equipment by preventing reverse rotations. Providing robust design and proven reliability, BSD backstops are being successfully supplied for heavy equipment applications in mining and steel industries worldwide.



Type 2260



Type 2270



Size	Torque Rating (1)		Max. Overrunning Speed (2)	Moment of Inertia (3)	Weight (3)	Oil Volume	
	T _N Nm	T _{max} Nm				n _{max} min ⁻¹	J kgm ²
100	1600	6400	840	0,0065	21	115	55
160	2200	8800	745	0,0120	30	150	65
250	3800	15200	635	0,0293	46	260	155
400	5400	21600	550	0,06	70	350	200
630	9300	37200	480	0,115	106	550	400
1000	16000	64000	420	0,229	168	680	600
1600	23000	92000	360	0,384	245	800	800
2500	32500	130000	320	0,6	330	1150	1150
4000	55500	222000	150	2,22	470	-	-
6300	92500	370000	100	5,53	880	-	-

Size	Diameters mm						Lengths mm										
	C	D ^{H7} Std	D ^{H7} max	E	P	A	B	F	G	I	K	L	M	N	O	Q	
100	33,5	55	60	180	M16	140	112	155	2	116	105	1	26	24	72	30	
160	37,5	70	75	210	M16	160	130	165	2	120	110	1	30	28	80	35	
250	41,5	80	90	246	M16	183	150	192	2	140	130	1	40	34	90	35	
400	49,5	95	100	280	M20	210	170	215	2,5	158	150	1,5	45	38	105	35	
630	60	110	130	320	M24	252	200	255	2,5	180	174	1,5	48	45	140	45	
1000	65	13	140	370	M24	280	225	290	2,5	216	205	1,5	55	50	150	45	
1600	70	140	150	410	M30	308	250	330	2,5	240	230	2	60	55	165	55	
2500	80	160	160	460	M30	345	280	355	3	262	245	2	68	60	180	55	
4000	100	210	210	560	-	485	380	-	3	295	-	3	85	65	210	-	
6300	100	230	230	680	-	570	455	-	3	345	-	3	100	70	230	-	

(1) TN for 10⁷ load reversals. Tmax for 50 000 load reversals
 (2) Assumed an ambient temperature of +20°C
 (3) Refer to standard bores

- Type 226x only available up to size 2500
- Oil level glass only for type 226x
- For size 4000 and above sleeve bearings instead of ball bearings are used

Data subject to change without notice.
 Please consult Rexnord for larger sizes or special design requirements.