



**Applications:**

- Ship drives, especially thruster drives
- PTO/PTI
- Winches
- Heavy machinery drives

**Features:**

- Pneumatically or hydraulically released
- Axial or radial oil inlet
- External or integrated solution

**Benefits:**

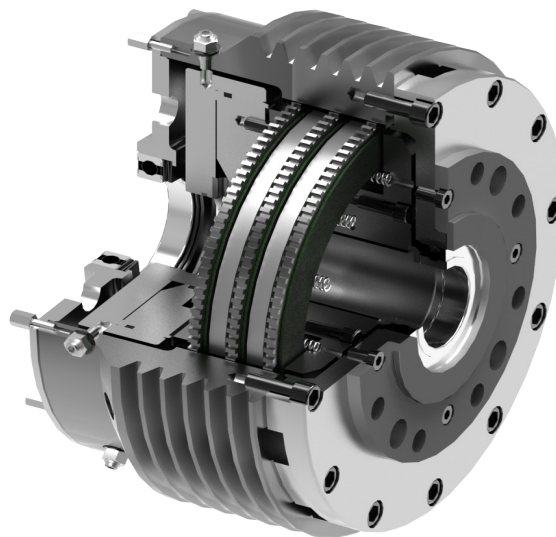
- Modular design
- Highest torques at small dimensions
- Easy assembly and disassembly
- Customized solutions

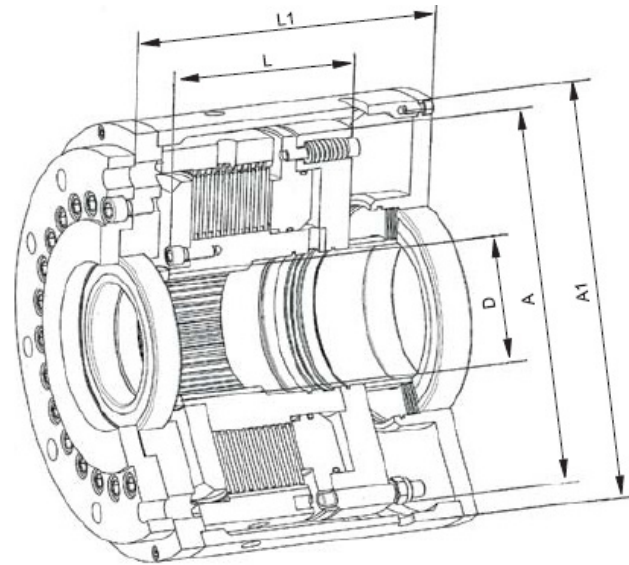
## Rexnord BSD Clutches Series 7001 and 7501

**Customer-focused Solutions.  
Reliable Performance.  
Trusted Brands.**

You want a trusted name when it comes to providing engineered power transmission products that improve productivity and efficiency. Rexnord provides superior products for your industrial applications world wide. We work closely with you to reduce maintenance costs, eliminate redundant inventories and prevent equipment downtime.

Rexnord BSD® Clutches 7001 and 7501 are pressure operated clutches in multi disc design . They are most efficiently used in industrial equipment of all kind where systems or machines are to be engaged or disengaged at high speeds and small dimensions. They can be integrated into machine parts and combined with flexible and torsionally stiff couplings.





**Clutch 7001 - pneumatically operated**

Size	Torque Rating				Nom. Actuation Pressure	Spring Pressure 1)	Max. Speed (Air)	Max. Speed	Moment of Inertia 2)		Weight 2)
	Dry Operation		Wet Operation						inner	outer	
	Tue / Nm	Ts / Nm	Tue/ Nm	Ts / Nm							
63	2000	1600	1200	800	7	1	3500	3500	0,03	0,24	40
100	3000	2400	1800	1200	7	1	3000	3000	0,08	0,35	55
160	6000	4800	3800	2500	7	1	2600	2600	0,30	0,85	85
250	12000	9600	7500	5000	7	1	2000	2000	0,73	1,30	110
400	15000	12000	10000	6600	7	1	1700	1700	1,52	2,65	180
630	28000	22500	18000	12000	7	1	1500	1500	3,13	6,72	310
1000	40000	32000	25000	16600	7	1	1300	1300	5,35	13,90	500
1600	80000	64000	50000	33000	7	1	1000	1000	-	-	-

**Clutch 7501 - hydraulically operated**

Size	Torque Rating				Nom. Actuation Pressure	Spring Pressure 1)	Max. Speed (Cylinder)	Max. Speed	Moment of Inertia 2)		Weight 2)
	Dry Operation		Wet Operation						inner	outer	
	Tue / Nm	Ts / Nm	Tue / Nm	Ts / Nm							
63	3200	2550	2000	1350	27	3	2500	3500	0,03	0,24	40
100	6200	4800	4000	2500	27	3	2000	3000	0,08	0,35	55
160	15000	12000	9000	6000	27	2,5	1800	2600	0,30	0,85	85
250	28000	22000	18000	12000	27	2,5	1400	2000	0,73	1,30	110
400	40000	33000	25000	17000	27	2,5	1200	1700	1,52	2,65	180
630	80000	64000	55000	36000	27	2,5	1000	1500	3,13	6,72	310
1000	110000	88000	70000	45000	27	2,5	900	1300	5,35	13,90	500
1600	200000	160000	140000	90000	27	2,5	800	1000	-	-	-

**Dimensions**

Size	A1	A	D <sup>H7</sup> max. keyway 7001	D <sup>H7</sup> max. keyway 7501	D max. splined hub DIN 5480	L1min	L
63	240	200	45	60	N90x3x60	199	125
100	265	210	60	70	N80x3x60	199	125
160	320	260	70	85	N95x3x80	234	155
250	375	325	85	100	N110x3x100	249	170
400	430	360	110	140	N140x4x100	302	200
630	500	440	130	160	N160x4x130	354	230
1000	580	490	165	180	N190x5x140	394	250
1600	-	650	210	250	-	-	-

1) In new condition.

2) Apply to maximum bores

- Friction pairs: steel / sinter bronze. Wet and dry operation
- Thermal rating on demand
- Keyways acc. to DIN 6885/1

Data subject to change without notice.

Please consult Rexnord for larger sizes or special design requirements.