



## PRODUCT FACTS

# REXNORD® HS-SERIES ROLLER CHAIN

HIGH PERFORMANCE BY REXNORD

Rexnord HS-Series Roller Chain provides a **longer overall life time** for the highly stressed drive in round baler applications. Especially the wear resistance and the fatigue strength of the chain pins noted a significant improvement.

### OUTSTANDING PERFORMANCE IN EVERY FIELD

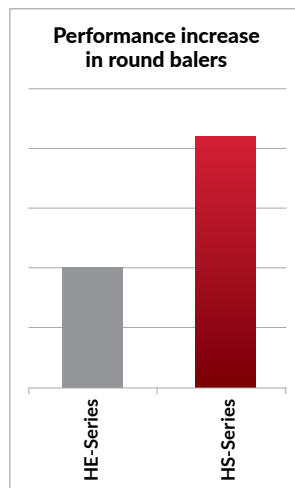
The Rexnord HS-Series Roller Chain is the perfect combination of the H- and HE-Series Chains. The innovative raw material and the heat treatment go along with a state-of-the-art production method. The result is a drive chain with outstanding performances for all operational demands.

### IMPROVED WEAR RESISTANCE

The hardened and shot peened pins receive a surface treatment that works perfect together with the long life lubricant. Seamless and hardened bushing complete the chain joint. And finally the high preloading minimizes the running-in elongation. All these treatments result in an improved wear resistance of the chain.

### HIGH FATIGUE STRENGTH

The calibration of the plate bores is the foundation for high press fits. In combination with the high preloading treatment we achieve the outstanding fatigue strength of the HS-Series Chain. This makes it the ideal chain for applications with high dynamic shock loads.



### Key Industries

- Agriculture
- Construction Machines
- Wood
- Material Handling

### Features

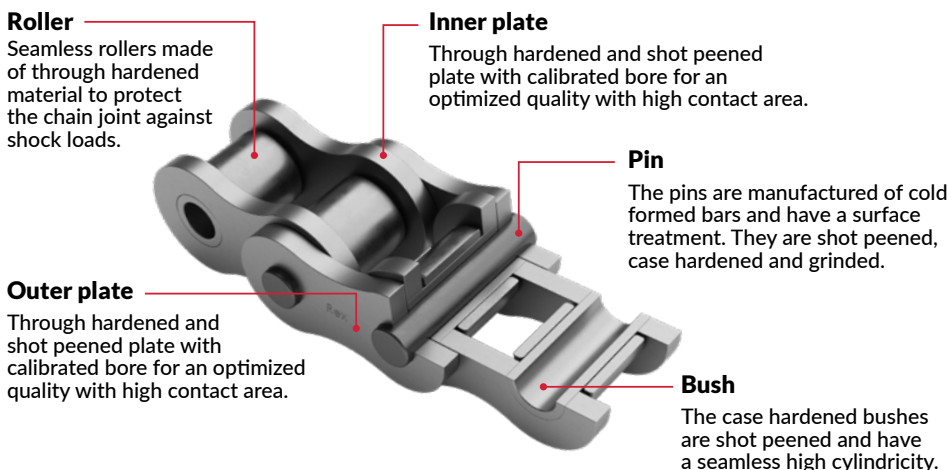
- Clearly higher wear resistance and higher dynamic strength compared to standard roller chains.
- Low maintenance due to the long-life lubrication.
- Interchangeable with ISO 606
- Special raw materials and special assembly procedures.

### Benefits

- Corrosion-resistant
- Combines the advantages of the H- and HE-Series
- Long wear life
- Cost-effective

### Lubrication

- Long life lubricant
- Thixotropic
- No oil dripping
- Operating temperature: -15°C to +75°C
- With high temperature lubricants use is possible up to 250°C

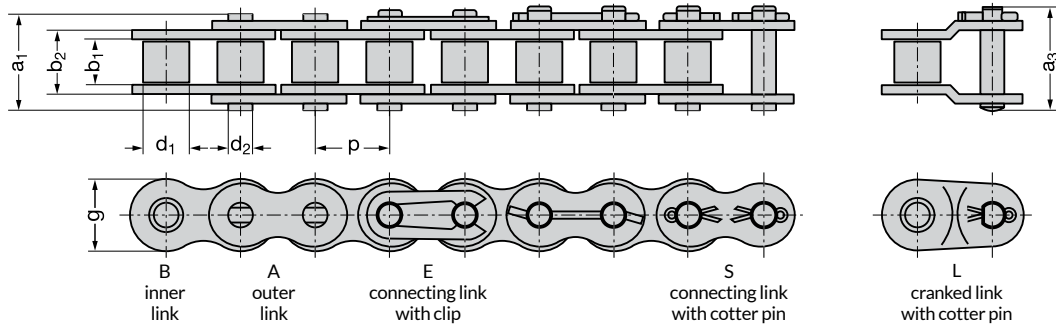


# REXNORD® HS-SERIES ROLLER CHAIN

## HS-Series - American standard - Rexnord Roller Chain ISO 606

### Simplex roller chain

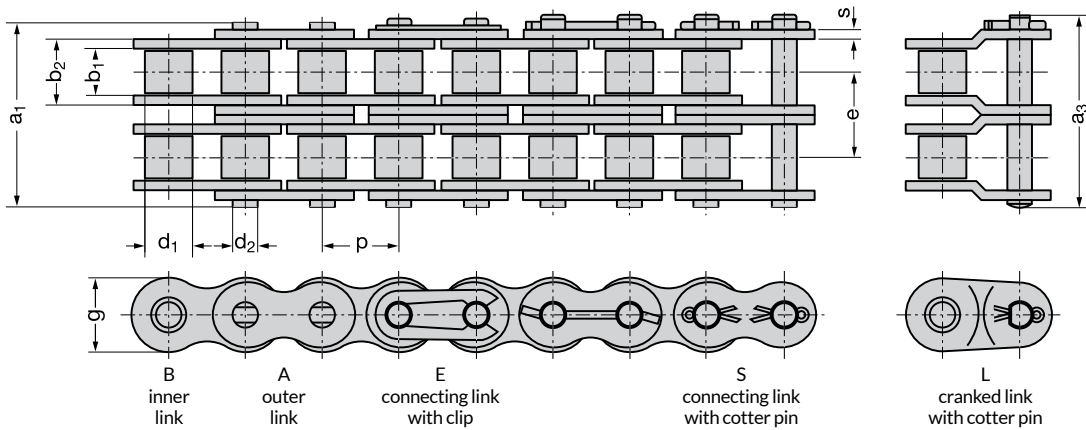
Chain No.	Pitch		Width between inner plates	Roller diameter	Pin diameter	Width over inner link	Plate depth	Transverse pitch	Pin length	Connecting pin length	Bearing area	Required minimum tensile strength ISO 606	Rexnord minimum tensile strength	Weight	Loose parts						
	p														b <sub>1</sub> min.	d <sub>1</sub> max.	d <sub>2</sub> max.	b <sub>2</sub> max.	g	e	a <sub>1</sub> max.
	Inch	mm	mm	mm	mm	mm	mm	mm	mm	mm	mm	cm <sup>2</sup>	N	N	kg/m						
80 HS-1	1.00	25.4	15.75	15.88	7.92	24.30	23.5	-	35.9	41.0	1.92	69 200	84 000	3.1	x	x				x	x
100 HS-1	1.25	31.75	18.90	19.05	9.53	29.00	29.2	-	42.8	48.2	2.76	104 000	115 000	4.5	x	x				x	x



## HS-Series - American standard - Rexnord Roller Chain ISO 606

### Duplex roller chain

Chain No.	Pitch		Width between inner plates	Roller diameter	Pin diameter	Width over inner link	Plate depth	Transverse pitch	Pin length	Connecting pin length	Bearing area	Required minimum tensile strength ISO 606	Rexnord minimum tensile strength	Weight	Loose parts						
	p														b <sub>1</sub> min.	d <sub>1</sub> max.	d <sub>2</sub> max.	b <sub>2</sub> max.	g	e	a <sub>1</sub> max.
	Inch	mm	mm	mm	mm	mm	mm	mm	mm	mm	mm	cm <sup>2</sup>	N	N	kg/m						
80 HS-2	1.00	25.4	15.75	15.88	7.92	24.30	23.5	32.59	68.6	73.7	3.85	138 400	168 000	6.2	x	x				x	x
100 HS-2	1.25	31.75	18.90	19.05	9.53	29.00	29.2	39.09	82.0	97.8	5.53	208 000	230 000	9.0	x	x				x	x



## Motion Control Solutions Regal Rexnord

Contact us: [rexnord.com/contact](http://rexnord.com/contact)  
[regalrexnord.com](http://regalrexnord.com)

The proper selection and application of products and components, including assuring that the product is safe for its intended use, are the responsibility of the customer. To view our Application Considerations, please visit <https://www.regalrexnord.com/Application-Considerations>.

To view our Standard Terms and Conditions of Sale, please visit <https://www.regalrexnord.com/Terms-and-Conditions-of-Sale> (which may redirect to other website locations based on product family).

"Regal Rexnord" is not indicative of legal entity.

Regal Rexnord and Rexnord are trademarks of Regal Rexnord Corporation or one of its affiliated companies.

© 2015, 2022 Regal Rexnord Corporation, All Rights Reserved.  
MCSSP21044E • Form# ECE5-019A4

