



PRODUCT FACTS

REXNORD® REXATHLETIC LEAF CHAIN

EXTREME PERFORMANCE BY REXNORD

Rexnord RexAthletic **low-maintenance** Leaf Chain is ideal in situations with limited maintenance and lubrication possibilities. The shot-peened chain components and the special long-life lubricant improve the wear and fatigue resistance of the chain.

LONG WEAR LIFETIME

The special long-life lubricant optimized by Rexnord extends the lubrication intervals significantly. This results in less downtime and a longer service life of the chain.

HIGH BREAKING LOAD

With its high breaking load the Rexnord RexAthletic Leaf Chain is ideal for heavy loading applications in difficult conditions and in closed systems.

GOOD CORROSION PROTECTION

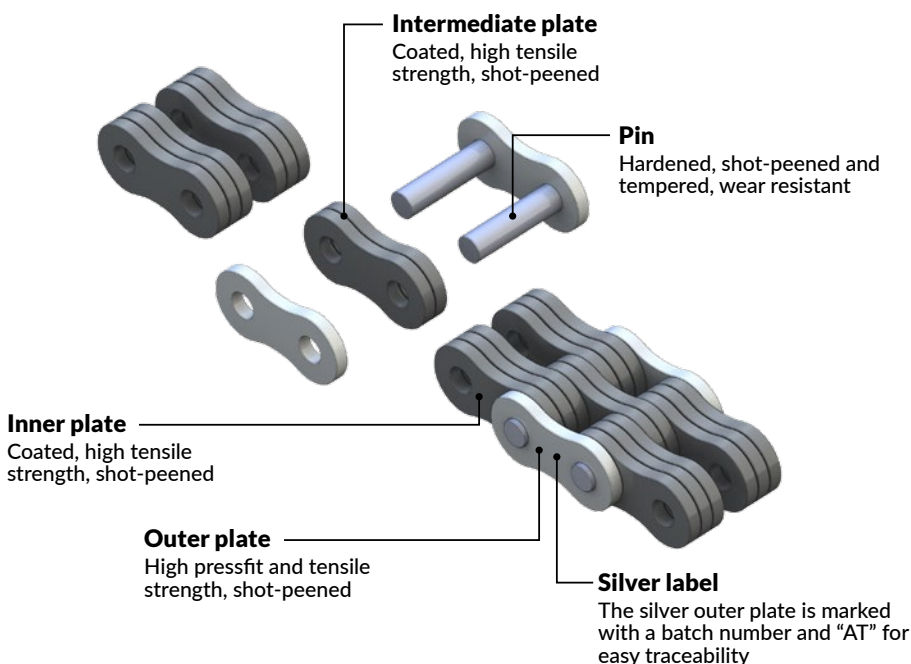
Even with minimum lubrication and under heavy loads the Rexnord RexAthletic Leaf Chain has a high wear resistance and a long wear life.

TRACEABILITY WITH SILVER LABEL

The silver colored outer plates have a label number for full and consistent traceability.

CE MARKING

All Rexnord RexPro Leaf Chains have the CE marking because they fulfill the requirements of Machine Directive 2006/42/EC.



Key Industries

- Material handling
- Forklift trucks
- Telescopic handlers
- Machine tools

Features

- Very good tribological characteristics
- Improve protection against stiff joints / links
- Dimensions in accordance with ISO and ANSI
- RexAthletic version available on request for all leaf chains in the AL Light, BL Heavy Series American Standard and F Series European Standard in accordance with ISO 4347 and industry standard chains

Advantages

- Reduced need for maintenance and longer lubrication intervals
- High wear resistance even with minimum lubrication
- Long working life under heavy loads
- Label number on silver colored plate for better traceability
- Eco-friendly: reduced lubricant requirement
- Compatible replacement for all standard chains

Lubrication

- Special long-life lubricant optimized by Rexnord
- Operating temperature from -15° C to +55° C
- No dripping of lubricant
- Water-resistant

REXNORD® REXATHLETIC LEAF CHAIN

Rexnord RexAthletic Leaf Chain is available in F Series European Standard, BL Heavy and AL Light Series American Standard. In the following table only the BL Heavy Series is shown. For F and AL Series, please contact Regal Rexnord™.

BL Heavy Series American Standard – Rexnord RexAthletic Leaf Chain ISO 4347

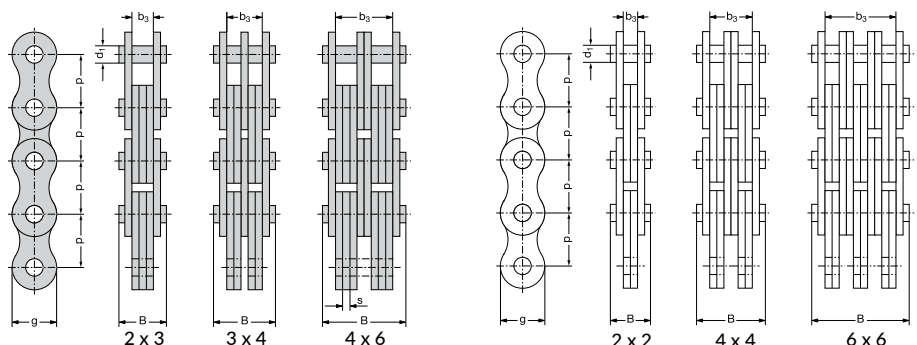
Chain No.*	ISO chain number	Pitch		Lacing	Pin diameter	Plate depth	Plate thickness	Length over 100 pitches	Pin length	Width between outer plates	Bearing area	Required minimum tensile strength DIN / ISO	Rexnord minimum tensile strength	Fatigue strength	Weight
		p													
		Inch	mm												
					d_1 max.	g	s		B max.	b_3 min.	A	FU	FB	FD	q
					mm	mm	mm	mm	mm	mm	cm ²	N	N	N	kg/m
BL 523	LH 1023	0.625	15.875	2 x 3	5.94	14.6	2.4	1596	15.0	7.4	0.43	33 400	40 000	10 500	1.1
BL 534	LH 1034			3 x 4					20.0	12.3	0.57	48 900	60 000	11 500	1.5
BL 544	LH 1044			4 x 4					22.5	14.7	0.57	66 700	80 000	12 000	1.8
BL 546	LH 1046			4 x 6					27.4	19.6	0.86	66 700	80 000	14 000	2.2
BL 566	LH 1066			6 x 6					32.3	24.5	0.86	100 100	120 000	15 200	2.6
BL 588	LH 1088			8 x 8					42.2	34.3	1.14	133 600	160 000	17 000	3.4
BL 622	LH 1222	0.75	19.05	2 x 2	7.92	17.9	3.1	1905	16.6	6.4	0.51	48 900	62 000	13 000	1.5
BL 623	LH 1223			2 x 3					20.0	9.6	0.74	48 900	62 000	16 300	1.8
BL 634	LH 1234			3 x 4					26.4	16.0	0.98	75 600	93 000	17 400	2.5
BL 644	LH 1244			4 x 4					29.5	19.2	0.98	97 900	124 000	19 000	2.9
BL 646	LH 1246			4 x 6					35.9	25.6	1.47	97 900	124 000	21 500	3.6
BL 666	LH 1266			6 x 6					42.5	32.0*	1.47	146 800	186 000	24 500	4.3
BL 822	LH 1622	1.00	25.4	2 x 2	9.53	23.6	4.0	2540	20.6	8.2	0.74	84 500	110 000	22 000	2.4
BL 823	LH 1623			2 x 3					24.8	12.3	1.14	84 500	110 000	30 000	3.0
BL 834	LH 1634			3 x 4					33.1	20.5	1.52	129 000	165 000	32 000	4.2
BL 844	LH 1644			4 x 4					37.3	24.7	1.52	169 000	220 000	33 500	4.8
BL 846	LH 1646			4 x 6					45.7	33.0	2.29	169 000	220 000	38 500	6.0
BL 866	LH 1666			6 x 6					54.1	41.3	2.29	253 600	330 000	41 850	7.2
BL 888	LH 1688	8 x 8	70.8	57.9	2.97	338 000	440 000	45 000	9.6						
BL 1023	LH 2023	1.25	31.75	2 x 3	11.10	29.2	4.7	3179	28.9	14.4	1.56	115 600	164 000	47 500	4.4
BL 1034	LH 2034			3 x 4					38.8	24.1	2.09	182 400	246 000	50 000	6.2
BL 1044	LH 2044			4 x 4					43.7	29.0	2.09	231 200	328 000	55 000	7.0
BL 1046	LH 2046			4 x 6					53.5	38.4*	3.12	231 200	328 000	62 000	8.7
BL 1066	LH 2066			6 x 6					63.5	48.6*	3.12	347 000	492 000	69 000	10.5
BL 1088	LH 2088			8 x 8					83.2	68.2*	4.17	462 400	656 000	74 000	13.9
BL 1223	LH 2423	1.50	38.1	2 x 3	12.70	34.4	5.5	3810	33.6	16.8	2.1	151 200	200 000	64 000	6.0
BL 1234	LH 2434			3 x 4					45.5	28.0	2.8	224 600	300 000	68 000	8.3
BL 1244	LH 2444			3 x 4					51.2	33.6	2.8	302 400	400 000	72 000	9.5
BL 1246	LH 2446			4 x 6					62.7	44.8	4.2	302 400	400 000	82 000	11.8
BL 1266	LH 2466			6 x 6					74.5	56.0*	4.2	453 600	600 000	90 000	14.1
BL 1288	LH 2488			8 x 8					97.8	78.4*	5.4	604 800	800 000	98 000	18.8
BL 1423	LH 2823	1.75	44.45	2 x 3	14.27	40.8	6.3	4445	38.2	19.2	2.7	191 300	250 000	—	8.3
BL 1434	LH 2834			3 x 4					51.7	32.0	3.6	315 800	375 000	—	11.6
BL 1444	LH 2844			4 x 4					58.2	38.4	3.6	382 600	500 000	—	13.2
BL 1446	LH 2846			4 x 6					71.5	51.2	5.4	382 600	500 000	—	16.4
BL 1466	LH 2866			6 x 6					85.0	64.0*	5.4	578 000	750 000	—	19.7
BL 1488	LH 2888			8 x 8					111.7	89.6*	7.2	765 200	1 000 000	—	25.9
BL 1623	LH 3223	2.00	50.8	2 x 3	17.46	47.9	7.0	5080	42.1	21.3*	3.67	289 100	360 000	—	11.0
BL 1634	LH 3234			3 x 4					57.0	35.5*	4.89	440 400	540 000	—	15.4
BL 1644	LH 3244			4 x 4					63.8	42.6*	5.0	578 200	720 000	—	17.5
BL 1646	LH 3246			4 x 6					78.9	56.8*	7.33	578 200	720 000	—	21.8
BL 1666	LH 3266			6 x 6					95.0	73.7*	7.33	867 400	1 080 000	—	26.2
BL 1688	LH 3288			8 x 8					125.6	103.5*	9.78	1 156 400	1 440 000	—	34.9

* Please contact Regal Rexnord regarding precision of fit with ISO or ANSI anchors



Motion Control Solutions
Regal Rexnord

Contact us: rexnord.com/contact
regalrexnord.com



The proper selection and application of products and components, including assuring that the product is safe for its intended use, are the responsibility of the customer. To view our Application Considerations, please visit <https://www.regalrexnord.com/Application-Considerations>.

To view our Standard Terms and Conditions of Sale, please visit <https://www.regalrexnord.com/Terms-and-Conditions-of-Sale> (which may redirect to other website locations based on product family).

“Regal Rexnord” is not indicative of legal entity.

Regal Rexnord and Rexnord are trademarks of Regal Rexnord Corporation or one of its affiliated companies.

© 2020, 2022 Regal Rexnord Corporation, All Rights Reserved.
MCSSP21049E • Form# ECE5-013E

