

RexPro Roller Chain

HIGH PERFORMANCE BY REXNORD

Rexnord® RexPro® Roller Chain is the standard for quality chains. The combination of selected steels, optimized manufacturing and Rexnord RexPro Lubrication results in outstanding product characteristics. This chain is available in European and American standard, with attachments and extended pins.



SUPERIOR CORROSION PROTECTION

Rexnord RexPro Roller Chain has a very good corrosion protection compared to the best competitor for European and Asian quality roller chains, tested according to the Salt-Spray Test DIN EN ISO 9227 NSS. This results in an improved protection against stiff chain links and a longer service life.

IMPROVED WEAR RESISTANCE

The Rexnord RexPro High Performance Roller Chain has an improved protection against wear. The use of Rexnord RexPro Lubrication leads to a long service life and high operating reliability.

NO HEAVY METALS

The lubrication for Rexnord RexPro Chain contains no heavy metals, no Teflon and no silicone and thereby offers a wide spectrum of applications.

FEATURES & ADVANTAGES

Features

- High fatigue strength
- Improved wear resistance
- Superior corrosion protection
- Environmental friendly
- Manufactured from high-performance materials
- Calibrated plate holes
- Seamless rollers
- Shot-peened single components
- Delivered adjusted and free of twist on request

Advantages

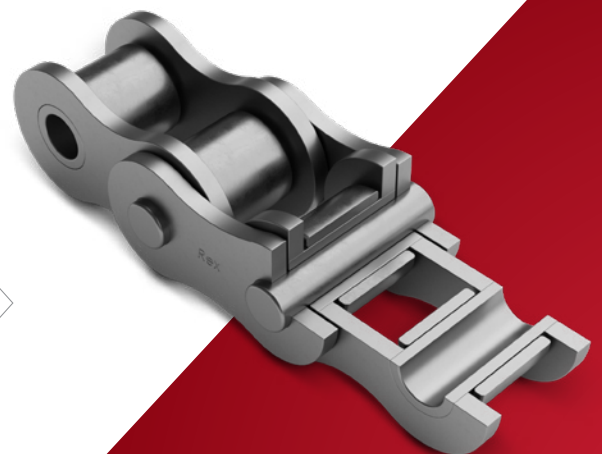
- Minimal pre-running elongation
- Long service life
- High impact resistance
- Robust under tough conditions
- Maximum operating reliability
- Improved profitability

Industries Served

- Automotive
- Food & Beverage
- Agriculture
- Construction
- Logistics & Transportation
- Material Handling
- Wood Industry

Lubrication:

- Rexnord RexPro Lubrication for corrosion protection and wear resistance
- NSF H2 certification, RoHS:2011 compliant for electronics industry
- Operating temperature: -30° C to +130° C (can be extended from -40° C to +250° C)
- Very good surface adhesion; remains drip-resistant even at high temperatures
- No heavy metals, Teflon- and silicone-free
- Special lubrications available (for example with NSF H1)



Roller

The special heat treatment and intensive shot-peening of the rollers guarantee high fatigue strength and longevity.

Inner plate

Calibrated plate bores result in a significant improvement in the press fits and the fatigue strength.

Pin

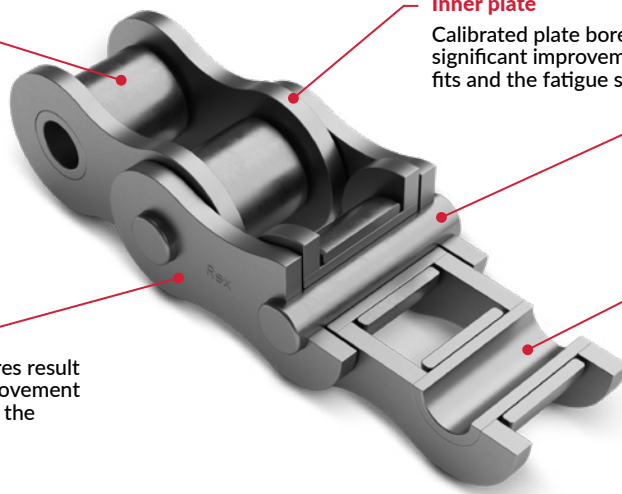
The pins are furnished with an optimally deep hardness layer which increases the service life of the chain.

Outer plate

Calibrated plate bores result in a significant improvement in the press fits and the fatigue strength.

Bush

The bushes are furnished with an optimally deep hardness layer which increases the service life of the chain.



European Standard – Rexnord RexPro Roller Chain ISO 606*

Simplex Roller Chain

Chain No.	Pitch		Width between inner plates	Roller diameter	Pin diameter	Width over inner link	Plate depth	Transverse pitch	Pin length	Connecting pin length	Bearing area	Required minimum tensile strength ISO 606	Rexnord minimum tensile strength	Weight	Loose parts						
	p														b ₁ min.	d ₁ max.	d ₂ max.	b ₂ max.	g	e	a ₁ max.
	Inch	mm	mm	mm	mm	mm	mm	mm	mm	mm	mm	cm ²	N	N	kg/m						
06 B - 1	0.375	9.525	5.72	6.35	3.28	8.53	8.2	-	13.5	16.8	0.28	8 900	9 000	0.4	x		x	x	x		
081 - 1	0.50	12.7	3.30	7.75	3.66	5.80	9.9	-	10.2	11.7	0.21	8 000	8 200	0.3	x		x	x			
083 - 1	0.50	12.7	4.88	7.75	4.09	7.90	10.3	-	12.9	14.4	0.32	11 600	12 000	0.4			x	x	x		
084 - 1	0.50	12.7	4.88	7.75	4.09	8.80	11.1	-	14.8	16.3	0.36	15 600	16 000	0.6					x		
08 B - 1	0.50	12.7	7.75	8.51	4.45	11.30	11.6	-	17.0	20.9	0.50	17 800	18 000	0.7	x	x	x	x	x		
10 B - 1	0.625	15.875	9.65	10.16	5.08	13.28	14.6	-	19.6	23.7	0.67	22 200	22 400	0.9	x	x	x	x	x		
12 B - 1	0.75	19.05	11.68	12.07	5.72	15.62	15.9	-	22.7	27.3	0.89	28 900	29 000	1.2	x	x	x	x	x		
16 B - 1	1.00	25.4	17.02	15.88	8.28	25.40	20.5	-	36.1	41.5	2.10	60 000	71 000	2.7	x	x	x	x	x	x	
20 B - 1	1.25	31.75	19.56	19.05	10.19	29.00	25.7	-	40.4	47.6	2.96	95 000	112 000	3.8	x	x	x			x	x
24 B - 1	1.50	38.1	25.40	25.40	14.63	37.90	33.0	-	53.8	60.6	5.54	160 000	198 000	7.0	x	x	x			x	x
28 B - 1	1.75	44.45	30.99	27.97	15.90	46.50	37.0	-	63.3	72.8	7.39	200 000	200 000	8.9	x	x				x	x
32 B - 1	2.00	50.8	30.99	29.21	17.81	45.50	41.2	-	65.1	73.6	8.10	250 000	300 000	9.9	x	x	x			x	x
40 B - 1	2.50	63.5	38.10	39.37	22.89	55.70	51.5	-	78.9	91.3	12.75	355 000	355 000	15.4	x	x				x	x
48 B - 1	3.00	76.2	45.72	48.26	29.24	70.50	65.0	-	98.5	124.0	20.61	560 000	560 000	26.2	x	x				x	x
56 B - 1	3.50	88.9	53.34	53.98	34.32	81.30	80.0	-	114.6	140.0	27.90	850 000	850 000	36.7	x	x					x
64 B - 1	4.00	101.6	60.96	63.50	39.40	92.00	93.0	-	130.0	143.0	36.25	1 120 000	1 120 000	49.0	x	x					x
72 B - 1	4.50	114.3	68.58	72.39	44.50	103.80	105.0	-	147.0	161.0	46.19	1 400 000	1 400 000	64.0	x	x					x

* This table contains only the data for the simplex Rexnord RexPro roller chains according to the European standard. All available chain sizes can be found in our catalog or contact Rexnord.

