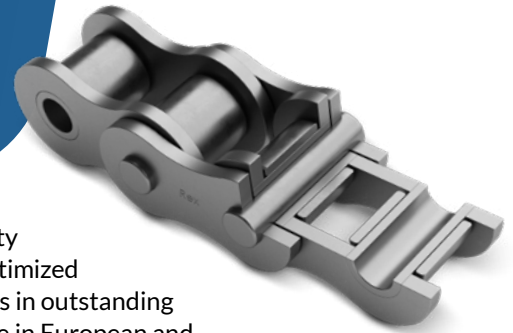


REXPRO® ROLLER CHAIN

HIGH PERFORMANCE



Industries Served

- Automotive
- Food & Beverage
- Agriculture
- Construction
- Logistics & Transportation
- Material Handling
- Wood Industry

Lubrication

- RexPro Lubrication for corrosion protection and wear resistance
- NSF H2 certification, RoHS:2011 compliant for electronics industry
- Operating temperature: -30° C to +130° C (can be extended from -40° C to +250° C)
- Very good surface adhesion; remains drip-resistant even at high temperatures
- No heavy metals, Teflon- and silicone-free
- Special lubrications available (for example with NSF H1)

RexPro Roller Chain is the standard for quality chains. The combination of selected steels, optimized manufacturing and RexPro Lubrication results in outstanding product characteristics. This chain is available in European and American standard, with attachments and extended pins.

SUPERIOR CORROSION PROTECTION

RexPro Roller Chain has a very good corrosion protection compared to the best competitor for European and Asian quality roller chains, tested according to the Salt-Spray Test DIN EN ISO 9227 NSS. This results in an improved protection against stiff chain links and a longer service life.

IMPROVED WEAR RESISTANCE

The RexPro Roller Chain has an improved protection against wear. The use of RexPro Lubrication leads to a long service life and high operating reliability.

NO HEAVY METALS

The lubrication for RexPro Chain contains no heavy metals, no Teflon and no silicone and thereby offers a wide spectrum of applications.

FEATURES & ADVANTAGES

Features

- High fatigue strength
- Improved wear resistance
- Superior corrosion protection
- Environmental friendly
- Manufactured from high-performance materials
- Calibrated plate holes
- Seamless rollers
- Shot-peened single components
- Delivered adjusted and free of twist on request

Advantages

- Minimal pre-running elongation
- Long service life
- High impact resistance
- Robust under tough conditions
- Maximum operating reliability
- Improved profitability

CE This product meets the requirements of Machine Directive 2006/42/EC



REXPRO® ROLLER CHAIN

Roller

The special heat treatment and intensive shot-peening of the rollers guarantee optimal fatigue strength and longevity.

Inner plate

Calibrated plate holes guarantee a high contact ratio, optimal resistance to torsion and high fatigue strength.

Pin

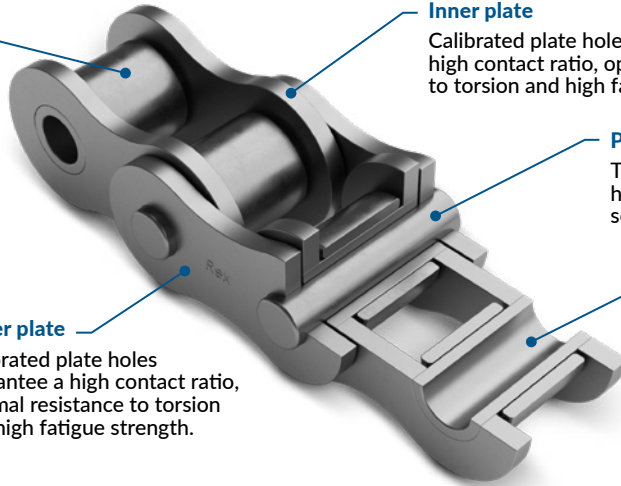
The pins have optimum surface hardening, which increases the service life of the chain.

Outer plate

Calibrated plate holes guarantee a high contact ratio, optimal resistance to torsion and high fatigue strength.

Bush

The bushes have optimum surface hardening, which increases the service life of the chain

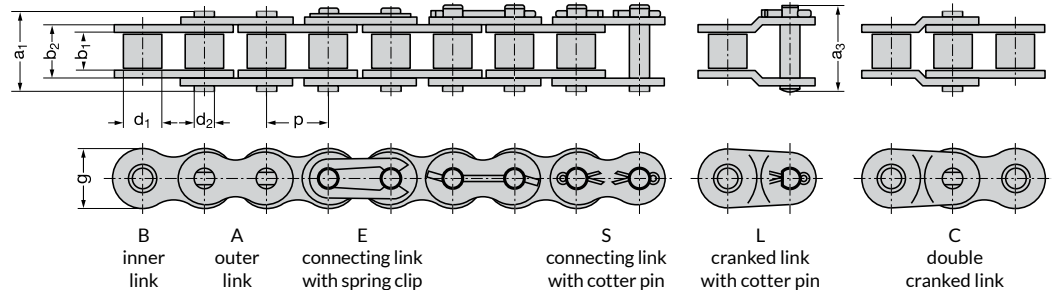


EUROPEAN STANDARD – REXPRO ROLLER CHAIN ISO 606*

Simplex Roller Chain

Chain No.	Pitch		Width between inner plates	Roller diameter	Pin diameter	Width over inner link	Plate depth	Transverse pitch	Pin length	Connecting pin length	Bearing area	Required minimum tensile strength ISO 606	Rex™ minimum tensile strength	Weight	Loose parts						
	p														b ₁ min.	d ₁ max.	d ₂ max.	b ₂ max.	g	e	a ₁ max.
	Inch	mm	mm	mm	mm	mm	mm	mm	mm	mm	mm	cm ²	N	N	kg/m						
06 B - 1	0.375	9.525	5.72	6.35	3.28	8.53	8.2	-	13.5	16.8	0.28	8 900	9 000	0.4	x		x	x	x		
081 - 1	0.50	12.7	3.30	7.75	3.66	5.80	9.9	-	10.2	11.7	0.21	8 000	8 200	0.3	x		x	x			
083 - 1	0.50	12.7	4.88	7.75	4.09	7.90	10.3	-	12.9	14.4	0.32	11 600	12 000	0.4			x	x	x		
084 - 1	0.50	12.7	4.88	7.75	4.09	8.80	11.1	-	14.8	16.3	0.36	15 600	16 000	0.6				x			
08 B - 1	0.50	12.7	7.75	8.51	4.45	11.30	11.6	-	17.0	20.9	0.50	17 800	18 000	0.7	x	x	x	x	x		
10 B - 1	0.625	15.875	9.65	10.16	5.08	13.28	14.6	-	19.6	23.7	0.67	22 200	22 400	0.9	x	x	x	x	x		
12 B - 1	0.75	19.05	11.68	12.07	5.72	15.62	15.9	-	22.7	27.3	0.89	28 900	29 000	1.2	x	x	x	x	x		
16 B - 1	1.00	25.4	17.02	15.88	8.28	25.40	20.5	-	36.1	41.5	2.10	60 000	71 000	2.7	x	x	x	x	x	x	
20 B - 1	1.25	31.75	19.56	19.05	10.19	29.00	25.7	-	40.4	47.6	2.96	95 000	112 000	3.8	x	x	x			x	x
24 B - 1	1.50	38.1	25.40	25.40	14.63	37.90	33.0	-	53.8	60.6	5.54	160 000	198 000	7.0	x	x	x			x	x
28 B - 1	1.75	44.45	30.99	27.97	15.90	46.50	37.0	-	63.3	72.8	7.39	200 000	200 000	8.9	x	x				x	x
32 B - 1	2.00	50.8	30.99	29.21	17.81	45.50	41.2	-	65.1	73.6	8.10	250 000	300 000	9.9	x	x	x			x	x
40 B - 1	2.50	63.5	38.10	39.37	22.89	55.70	51.5	-	78.9	91.3	12.75	355 000	355 000	15.4	x	x				x	x
48 B - 1	3.00	76.2	45.72	48.26	29.24	70.50	65.0	-	98.5	124.0	20.61	560 000	560 000	26.2	x	x				x	x
56 B - 1	3.50	88.9	53.34	53.98	34.32	81.30	80.0	-	114.6	140.0	27.90	850 000	850 000	36.7	x	x					x
64 B - 1	4.00	101.6	60.96	63.50	39.40	92.00	93.0	-	130.0	143.0	36.25	1 120 000	1 120 000	49.0	x	x					x
72 B - 1	4.50	114.3	68.58	72.39	44.50	103.80	105.0	-	147.0	161.0	46.19	1 400 000	1 400 000	64.0	x	x					x

*This table contains only the data for the simplex RexPro Roller Chains according to the European standard. All available chain sizes can be found in our catalog or contact Regal Rexnord.



Motion Control Solutions
Regal Rexnord

Contact us: [regalrexnord.com/contact](https://www.regalrexnord.com/contact)

[regalrexnord.com](https://www.regalrexnord.com)

The proper selection and application of products and components, including assuring that the product is safe for its intended use, are the responsibility of the customer. To view our Application Considerations, please visit <https://www.regalrexnord.com/Application-Considerations>.

To view our Standard Terms and Conditions of Sale, please visit <https://www.regalrexnord.com/Terms-and-Conditions-of-Sale> (which may redirect to other website locations based on product family).

"Regal Rexnord" is not indicative of legal entity. Refer to product purchase documentation for the applicable legal entity.

Regal Rexnord, Rex and RexPro are trademarks of Regal Rexnord Corporation or one of its affiliated companies.

© 2021, 2023 Regal Rexnord Corporation, All Rights Reserved. MCSSP23028E • Form# ECE5-011_A4E

