

# RexPlus Roller Chain

## EXTREME PERFORMANCE BY REXNORD

Rexnord RexPlus® Roller Chain provides outstanding wear resistance and very good acid and corrosion protection.

### RUST- AND ACID-RESISTANT

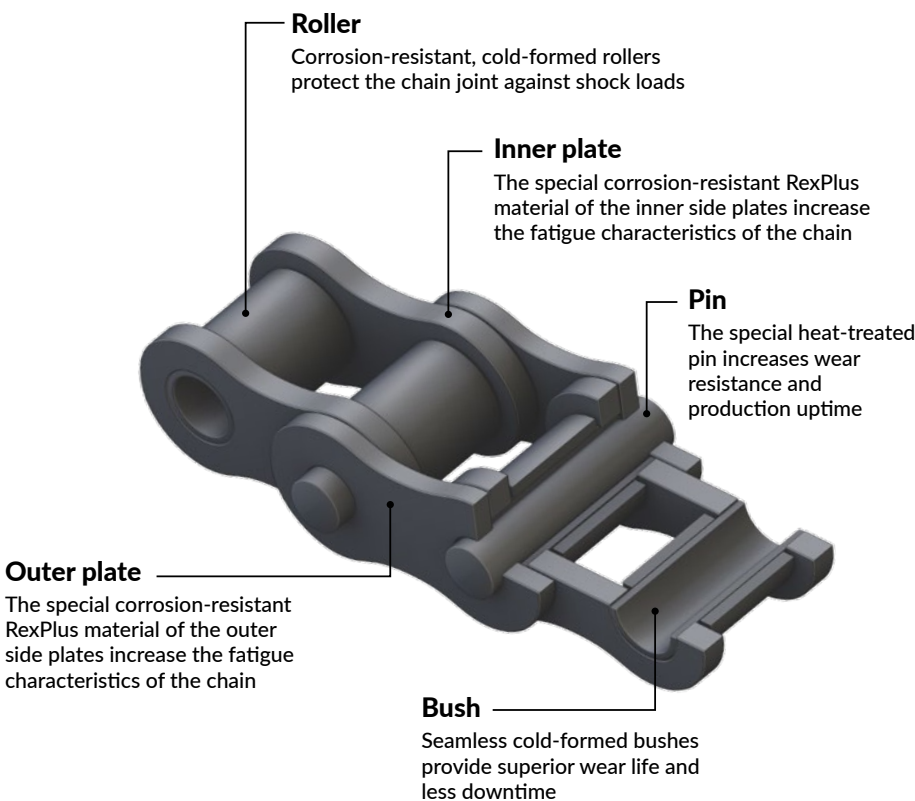
The Rexnord RexPlus Roller Chain consists of extremely rust- and acid-resistant materials. This makes it possible to use the chain in water, steam and aggressive liquids without damaging the chain. At the same time, due to the heat-treatment of the pins, the wear life of this chain is significantly longer than other corrosion-resistant chains. A stability list is available upon request.

### MAXIMUM HYGIENE

Where strict hygienic conditions or water is a factor and corrosion-free material is needed, Rexnord RexPlus Roller Chain offers superior performance. Direct food contact is permitted. This makes it the best choice for the Food & Beverage industry.

### LONG SERVICE LIFE

A long service life is granted due to the special steel used in the chain. Together with the heat-treated pin, this steel ensures a high wear resistance and long wear lifetime.



### Industries Served

Food & Beverage  
Pulp & Paper  
Material Handling

### Features:

- Made from materials with excellent rust- and acid-resistant properties
- High loading capacity at speeds up to approximately 1.5 meter / second
- Seamless bushes
- NSF H1 certification
- Patented special steel
- High mechanical stability
- Perfect to use in extreme conditions

### Benefits:

- High wear resistance
- Hygienic
- Resistant to water and steam
- Direct contact with foodstuffs permitted
- Long service life

### Lubrication:

- With food-grade lubricant
- Temperature range: -40°C to +120°C (extension from +120°C to +400°C possible)
- Also available without ex-works lubrication

**RECOMMENDED CHAIN TRACTIVE POWER FOR APPROPRIATE SPEEDS**

Chain No.	Temperature range -40° C to +200° C admissible tractive power for				Temperature range +200° C to +400° C admissible tractive power for	
	N up to 0,5 m/s	N up to 1,0 m/s	N up to 1,5 m/s	N up to 2,0 m/s	N up to 0,5 m/s	N up to 1,0 m/s
08 B - 1 SS	850	750	650	500	530	470
10 B - 1 SS	1100	1000	900	670	690	630
12 B - 1 SS	1500	1300	1100	890	940	810
16 B - 1 SS	3500	3100	2700	2100	2200	1900
08 B - 2 SS	1500	1300	1100	900	900	800
10 B - 2 SS	1900	1800	1600	1200	1200	1100
12 B - 2 SS	2600	2300	1900	1600	1600	1400
16 B - 2 SS	6100	5400	4700	3700	3800	3400
08 B - 3 SS	2100	1900	1600	1300	1300	1200
10 B - 3 SS	2800	2500	2300	1700	1800	1600
12 B - 3 SS	3800	3300	2800	2200	2400	2100
16 B - 3 SS	8800	7800	6800	5300	5500	4900

**EUROPEAN STANDARD - REXNORD REXPLUS ROLLER CHAIN MADE OF STAINLESS STEEL**

**Simplex roller chain**

Chain No.*	Pitch		Width between inner plates	Roller diameter	Pin diameter	Width over inner link	Plate depth	Transverse pitch	Pin length	Connecting pin length	Bearing area	Average tensile strength	Weight	Possible with straight sided plates	Loose parts				
	p	b <sub>1</sub> min.	d <sub>1</sub> max.	d <sub>2</sub> max.	b <sub>2</sub> max.	g max.	e	a <sub>1</sub> max.	a <sub>3</sub> max.	A	F <sub>B</sub>	q	A		B	C**	E	S	
	Inch	mm	mm	mm	mm	mm	mm	mm	mm	mm	mm	mm	cm <sup>2</sup>		N	kg/m			
08 B - 1 SS	0.50	12.70	7.75	8.51	4.45	11.30	11.6	-	16.7	19.0	0.50	12 000	0.7		x	x	x	x	
10 B - 1 SS	0.625	15.875	9.65	10.16	5.08	13.28	14.6	-	18.9	22.0	0.67	15 500	0.9		x	x	x	x	
12 B - 1 SS	0.75	19.05	11.68	12.07	5.72	15.62	15.9	-	22.3	25.1	0.89	17 500	1.15	x	x	x	x	x	x
16 B - 1 SS	1.00	25.40	17.02	15.88	8.28	25.40	20.8	-	35.4	40.8	2.10	44 000	2.6	x	x	x	x	x	

\* Duplex, Triplex and side bow roller chain also available

\*\* Cranked links only available in standard approved austenitic stainless steel

