

RexHiProAthletic Roller Chain

EXTREME PERFORMANCE BY REXNORD

Rexnord RexHiProAthletic® Roller Chain is a combination of Rexnord RexHiPro® and RexAthletic chain types. It provides the very good corrosion resistance of the RexHiPro and the high wear resistance of the RexAthletic.

LONG-TERM CORROSION RESISTANCE

Every single part of the Rexnord RexHiProAthletic Roller Chain has a special corrosion-resistant coating.

HIGH LOADING CAPABILITY

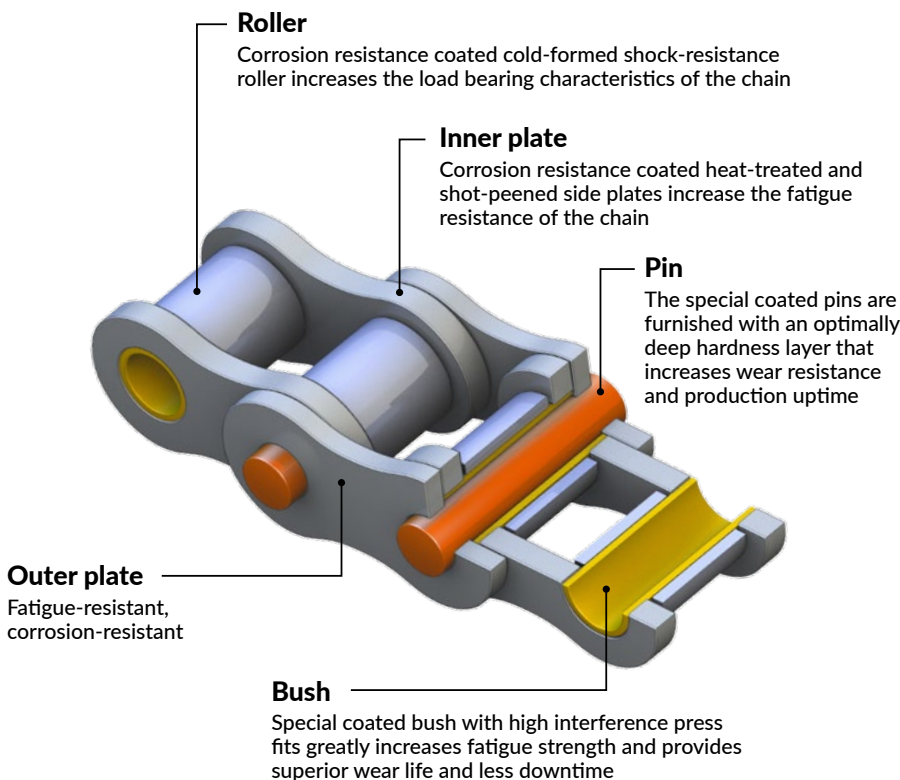
Thanks to the improved protection against chain joint stiffness and the high fatigue resistance, the Rexnord RexHiProAthletic Roller Chain has a high loading capability. The chain is ideal for heavy loading applications in rough environments.

LOW MAINTENANCE

The chain requires low maintenance thanks to the high performance and the long-term lubrication. This makes the Rexnord RexHiProAthletic Chain ideal for applications where maintenance and lubrication possibilities are restricted.

APPLICATION

- Where maintenance and lubrication possibilities are restricted
- High loads under difficult conditions
- Wet and outdoor usage
- Food, beverage, and packaging industries
- Amusement parks
- Agriculture and forestry machinery
- Enclosed systems



Industries Served

- Food & Beverage
- Agriculture
- Wood
- Material Handling

Features:

- Outstanding tribological characteristics
- Excellent sliding properties
- Fatigue resistance and chain traction comparable with Rexnord High Performance chain
- Anti-corrosion coating for all chain parts
- Improved protection against chain joint stiffness
- NSF H1 certification for the food industry
- Chain sizes with pitch from 12.7 mm to 50.8 mm available (special sizes on request)
- Dimensions in accordance with DIN, ANSI and ISO standards

Benefits:

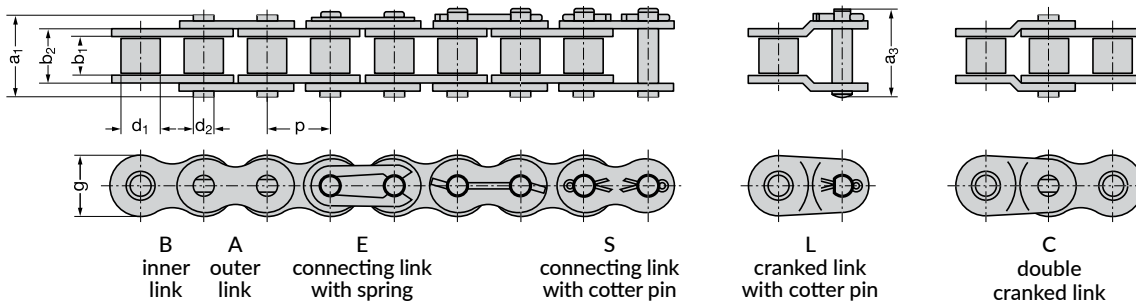
- Reduced maintenance requirements and longer lubrication intervals
- Excellent corrosion resistance
- High wear resistance even with inadequate lubrication
- Long service life under tough loading conditions

EUROPEAN STANDARD – REXNORD REXHIPROATHLETIC ROLLER CHAIN DIN ISO 606 (DIN 8187)

Simplex roller chain

Chain No.*	Pitch		Width between inner plates	Roller diameter	Pin diameter	Width over inner link	Plate depth	Transverse pitch	Pin length	Connecting pin length	Bearing area	Required minimum tensile strength DIN / ISO	Average tensile strength	Weight	Possible with straight sided plates	Loose parts					
	p		b ₁ min.	d ₁ max.	d ₂ max.	b ₂ max.	g max.	e	a ₁ max.	a ₃ max.	A	F _U	F _B	q		A	B	C	E**	L	S**
	Inch	mm	mm	mm	mm	mm	mm	mm	mm	mm	mm	cm ²	N	N		kg/m					
08 B - 1 HiProAT	0.50	12.70	7.75	8.51	4.45	11.30	11.6	-	17.0	20.9	0.50	17 800	21 000	0.7	x	x	x	x	x		
10 B - 1 HiProAT	0.625	15.875	9.65	10.16	5.08	13.28	14.6	-	19.6	23.7	0.67	22 200	25 000	0.9	x	x	x	x	x		
12 B - 1 HiProAT	0.75	19.05	11.68	12.07	5.72	15.62	15.9	-	22.7	27.3	0.89	28 900	32 000	1.2	x	x	x	x	x		
16 B - 1 HiProAT	1.00	25.40	17.02	15.88	8.28	25.40	20.5	-	36.1	41.5	2.10	60 000	80 000	2.7	x	x	x	x	x		
20 B - 1 HiProAT	1.25	31.75	19.56	19.05	10.19	29.00	25.7	-	40.4	47.6	2.96	95 000	120 000	3.8	x	x	x			x	x
24 B - 1 HiProAT	1.50	38.10	25.40	25.40	14.63	37.90	33.0	-	53.8	60.6	5.54	160 000	211 000	7.0	x	x	x			x	x
28 B - 1 HiProAT	1.75	44.45	30.99	27.97	15.80	46.50	37.0	-	63.3	72.8	7.35	200 000	240 000	8.9		x	x			x	x
32 B - 1 HiProAT	2.00	50.80	30.99	29.21	17.81	45.50	41.2	-	65.1	73.6	8.10	250 000	315 000	9.9	x	x	x			x	x

* Duplex roller chain also available ** Loose parts are produced in Rexnord RexHiProAthletic version



AMERICAN STANDARD – REXNORD REXHIPROATHLETIC ROLLER CHAIN DIN ISO 606 (DIN 8188)

Simplex roller chain

Chain No.*	Pitch		Width between inner plates	Roller diameter	Pin diameter	Width over inner link	Plate depth	Transverse pitch	Pin length	Connecting pin length	Bearing area	Required minimum tensile strength DIN / ISO	Average tensile strength	Weight	Possible with straight sided plates	Loose parts					
	p		b ₁ min.	d ₁ max.	d ₂ max.	b ₂ max.	g max.	e	a ₁ max.	a ₃ max.	A	F _U	F _B	q		A	B	C	E**	L	S**
	Inch	mm	mm	mm	mm	mm	mm	mm	mm	mm	mm	cm ²	N	N		kg/m					
60 - 1 HiProAT	0.75	19.05	12.57	11.91	5.94	17.70	17.7	-	25.7	28.6	1.05	31 300	40 000	1.5	x	x	x	x	x		
80 - 1 HiProAT	1.00	25.40	15.75	15.88	7.92	22.50	23.5	-	33.0	38.0	1.78	55 600	65 000	2.6	x	x	x	x	x		
100 - 1 HiProAT	1.25	31.75	18.90	19.05	9.53	27.40	29.2	-	39.4	44.9	2.61	87 000	105 000	4.0		x	x			x	x
120 - 1 HiProAT	1.50	38.10	25.22	22.23	11.10	35.30	34.4	-	49.8	56.1	3.92	125 000	145 000	5.5		x	x			x	x
140 - 1 HiProAT	1.75	44.45	25.22	25.40	12.70	37.00	40.8	-	53.4	59.3	4.70	170 000	220 000	7.5		x	x			x	x
160 - 1 HiProAT	2.00	50.80	31.55	28.58	14.27	45.00	47.8	-	63.6	68.9	6.42	223 000	260 000	10.2		x	x			x	x

* Duplex roller chain also available ** Loose parts are produced in Rexnord RexHiProAthletic version

