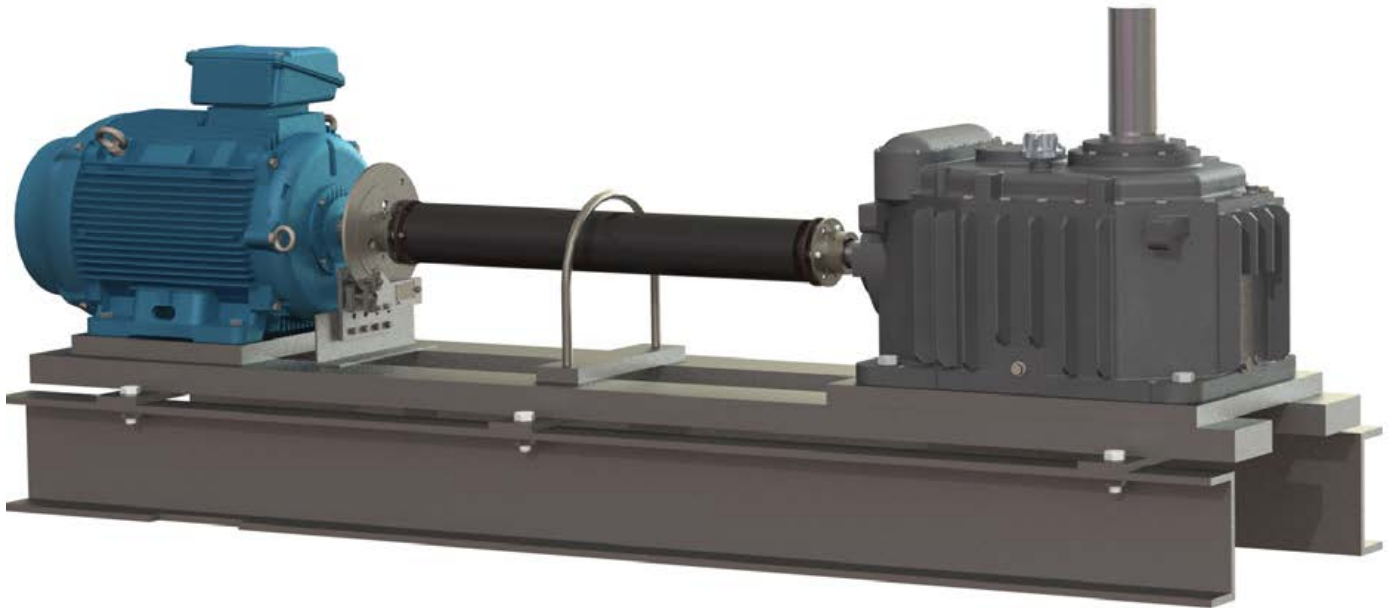




## Power Transmission Solutions for Cooling Towers



### Addax Cooling Tower Brakes

- Safety — Protects personnel and equipment from freewheeling fans
- Corrosion-resistant 316 stainless steel material reduces maintenance
- Universal brake mounting for easy installation
- Cross-pin locking, manual or remote actuation, and proximity sensors for added safety and control



### Addax Composite Couplings

- Lightweight composite design delivers the lowest Total Cost of Ownership
- Center section weighs less than 25% of comparable steel spacer, reducing overhung loads and eliminating need for special lifting equipment during installation
- Spans the distance from motor to gearbox without intermediate support bearings
- 24 hour expedited lead time available



### Falk CTA Series Gear Drives

- Direct replacement of Amarillo® 1712 gearboxes
- Available in 11 standard ratios, ranging from 9:1 to 16:1
- After-market support — select ratios available at reduced lead times
- Factory tested for leaks, excessive vibration and noise prior to shipment
- QR Code functionality to simplify asset management

# Cambridge Water Screen Systems

## for Cooling Towers & Raw Water Applications

**Traveling Screens**



**Stationary Screens**



**Trash Racks**

Protects pumps and other critical downstream systems against debris in order to sustain optimal cooling tower performance and overall efficient plant operations:

- Traveling systems operate with either motor or manually with hand drill
- Self-cleaning systems reduce maintenance costs
- Professional Engineer-certified designs and custom engineered solutions
- In-house manufacturing in Maryland, USA
- Easy installation of new or retrofit applications

Find out more: [www.rexnord.com/waterscreen](http://www.rexnord.com/waterscreen)



## Rexnord Industrial Services (RIS)



### Comprehensive offering of industrial equipment services:

- Gear drive repair
- Drive shaft, brake & clutch solutions
- On site repair and installation services
- Spares management & warranty extension
- Drop-in replacement drives
- After-market parts

Find out more: [www.rexnord.com/RIS](http://www.rexnord.com/RIS)



Largest Network  
of Power  
Transmission  
Repair Shops  
in the U.S.