

TABLE OF CONTENTS

CTA Series Gear Drives

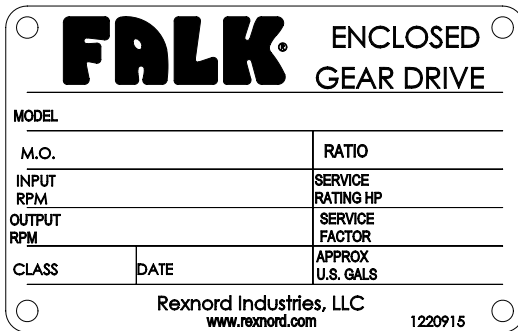
Sizes 2255 thru 2350 2 - 5

INTRODUCTION

This literature applies to Falk CT-Series standard gear drives with ratings, speeds, ratios, and dimensions as cataloged in current Rexnord selection guides. Contact Rexnord for all specials and modifications.

- IDENTIFY DRIVE** — Give complete data shown on drive nameplate. Also, give reference numbers, Falk part numbers, and name of parts required. Drawings and reference numbers are representative of all sizes and the actual parts may not agree in exact detail for each drive size. Complete nameplate data and parts reference number will assure receipt of correct parts.

The numerical designation stamped on the nameplate completely identifies all parts used in the drive. All drives with exactly the same nameplate markings have interchangeable rotating elements.



FALK		ENCLOSED GEAR DRIVE
MODEL		
M.O.	RATIO	
INPUT RPM	SERVICE RATING HP	
OUTPUT RPM	SERVICE FACTOR	
CLASS	DATE	APPROX U.S. GALS
Rexnord Industries, LLC www.rexnord.com 1220915		

Sample Nameplate

- IDENTIFY INDIVIDUAL PARTS** — Use the appropriate exploded view to determine the Reference Numbers of the required parts.
- NOTE** — It is recommended that the shaft seals be replaced whenever it becomes necessary to disturb a seal in the process of disassembling a drive. New shim-gaskets are recommended to prevent oil leakage and in some cases necessary to adjust internal running clearances.

PINIONS, GEARS, & SHAFTS — Replacement of a pinion, gear or shaft may also require the replacement of the respective connected parts. It is recommended that the factory be contacted to help make that determination.

Except for bearings and seals, replacement parts are only available as assemblies. Rexnord can normally furnish a total rotating assembly more economically than if the customer purchases individual parts, disassembles the old parts, and reassembles using some new and old parts. Falk replacement assemblies also reduce downtime and always consist of all new parts.

FASTENERS — Fasteners are sold as part of their respective assemblies. Fasteners describe cap screws, bolts, studs, nuts and lock washers as required.

RATIO CHANGE — Refer complete information to Rexnord.

SHAFT COUPLINGS — Refer to coupling parts guide and price list.

- HOW TO USE THIS GUIDE** — Use the Part Reference Number (step 2) and the drive Model Number (Step 1) to determine the part description and use this information to order the required parts.

- ORDER PLACEMENT** — Place your order with your local Rexnord Account Executive or Distributor. If you need assistance call the number below.

BEARING & SEAL IDENTIFICATION

Refer to the exploded views in each parts diagram to identify the bearings and oil seals by the parts list Reference Numbers. Then refer to the subsequent tables to determine the correct bearing or seal and the commercial number.

CORROSION PROTECTION & STORAGE

CAUTION: Follow guidelines below to avoid damage to parts.

- For domestic or indoor storage, the Factory provides standard 24 month protection as boxed or optional 24 month protection for individual parts.
- For export or outdoor storage, the Factory provides optional 18 month protection.

CAUTION: This protection does not cover exposure to elements such as standing water, etc.

CTA Series Gear Drives

Type CTA • Sizes 2255-2350 • Double Reduction

Figure 1 — Housing Assembly

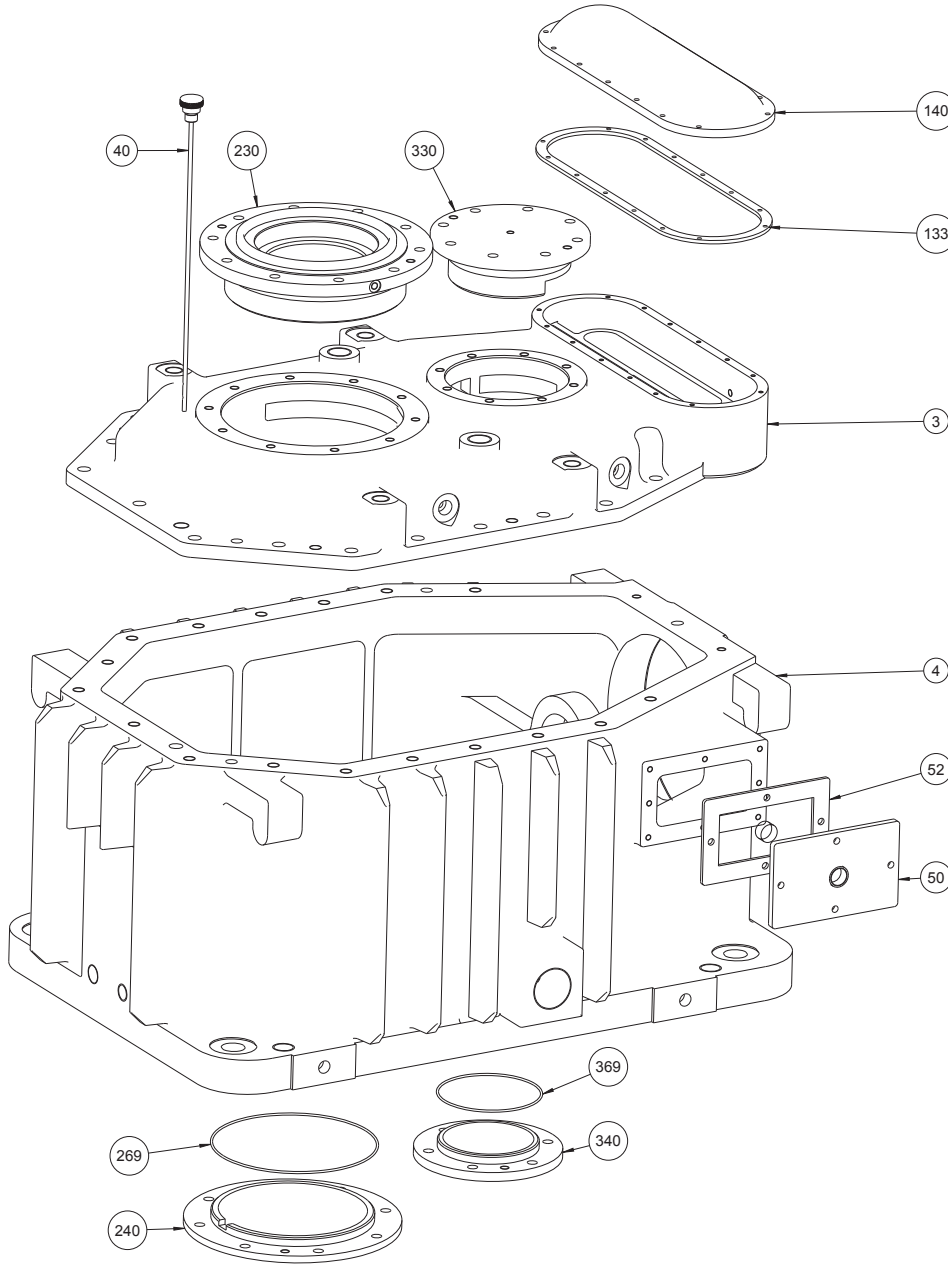


TABLE 1 – Parts List Housing Assembly

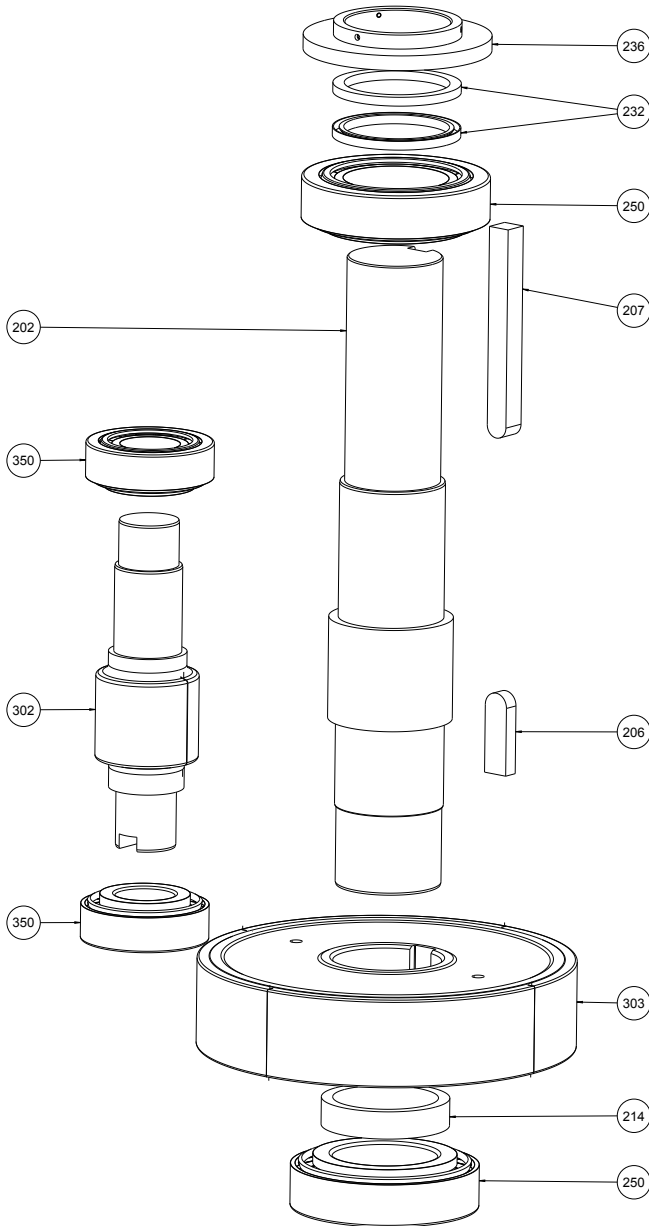
Ref No.	Part Description
03	Upper Housing
04	Lower Housing
40	Dipstick
50	Cover, Inspection Port
52	Gasket, Inspection Cover
133	Gasket, Upper Housing Cover
140	Cover, Upper Housing
230	Cover, Labyrinth Ring
240	Lower Cover, Low Speed Shaft
269	O-ring, Lower Low Speed Shaft Cover
330	Upper Cover, Intermediate Shaft
340	Lower Cover, Intermediate Shaft
369	O-ring, Lower Intermediate Shaft Cover

TABLE 2 – Part Numbers Housing Assembly

Drive Size	Ratios	Falk No.
2255	All	10830866
2275	All	10830867
2310	All	10830868
2350	All	10830869

Type CTA • Sizes 2255-2350 • Double Reduction

Figure 2 — Low & Intermediate Speed Shaft Assembly



**TABLE 3 – Parts List
 Low & Intermediate Speed
 Shaft Assembly**

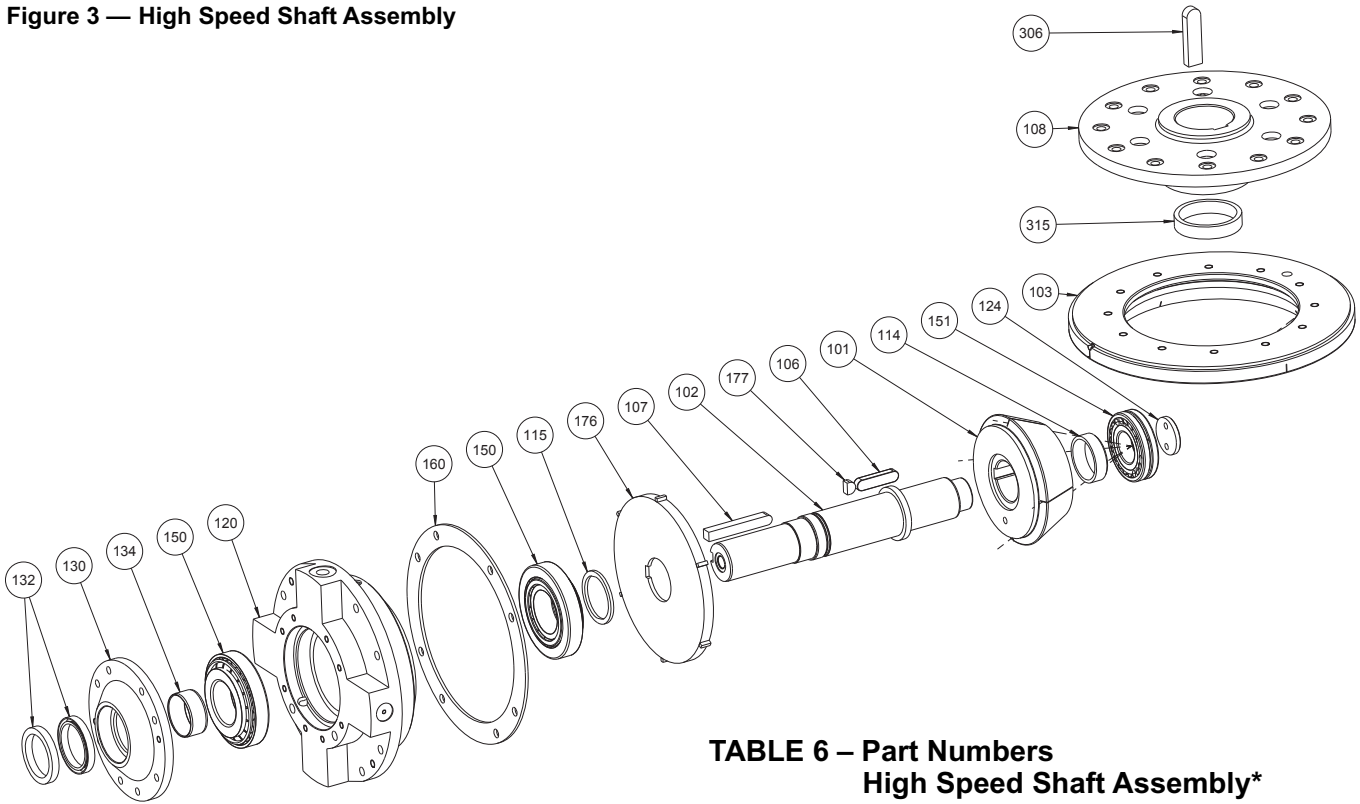
Ref No.	Part Description
302	Intermediate Pinion Shaft
202	Shaft, Low Speed
206	Key, Helical Gear Wheel
207	Key, Output
214	Spacer, Low Speed Shaft Assembly
232	Seal, Low Speed (Quantity 2)
236	Labyrinth Ring
250	Bearing, Low Speed Shaft (Quantity 2)
260 Not Shown	Shim Set, Low Speed Shaft Assembly
302	Intermediate Pinion Shaft
303	Helical Gear Wheel
350	Bearing, Intermediate Speed Shaft (Quantity 2)
360 Not Shown	Shim Set, Intermediate Shaft Assembly
366 Not Shown	Shim Set, Intermediate Shaft Assembly

**TABLE 4 – Part Numbers
 Low & Intermediate Speed
 Shaft Assembly**

Drive Size	Ratios	Falk No.
2255	7.5, 9, 10.5, 12	10830689
	8, 9.5, 11, 13	10830690
	8.5, 10, 14	10830691
2275	8, 9.5, 11, 13	10830692
	8.5, 10, 12, 14	10830693
	9, 15	10830696
2310	10.5, 17	10830697
	10, 12, 12.5, 15, 15.5, 16	10830676
2350	9, 10.5, 11, 13, 14	10830679
	11, 13	10830653
	12, 14, 16	10830654
	12.5	10830655
	15, 17, 20	10830686
	15.5, 18	10830687
	19	10830688

Type CTA • Sizes 2255-2350 • Double Reduction

Figure 3 — High Speed Shaft Assembly



**TABLE 5 – Parts List
 High Speed Shaft Assembly**

Ref No.	Part Description
101	Spiral Bevel Gear Pinion
102	Shaft, High Speed
103	Spiral Bevel Gear Wheel
106	Key, Spiral Bevel Gear Pinion
107	Key, Input
108	Hub, Spiral Bevel Gear Wheel
114	Spacer, High Speed Shaft Assembly
115	Spacer, High Speed Shaft Assembly
120	High Speed Bearing Housing
124	End Plate, High Speed Shaft Assembly
130	Cover, High Speed Shaft Assembly
132	Seal, High Speed (Quantity 2)
134	Sleeve, High Speed Seal
150	Bearing, High Speed Shaft Assembly (Quantity 2)
151	Bearing, High Speed Shaft Assembly
160	Gasket, Aluminum – High Speed Shaft Assembly
176	Oil Thrower
177	Key, Spiral Bevel Gear Pinion
306	Key, Intermediate Pinion Shaft
315	Spacer, Intermediate Pinion Shaft Assembly

**TABLE 6 – Part Numbers
 High Speed Shaft Assembly***

Drive Size	Ratios	Falk No.
2255	7.5, 8, 8.5	10803170
	9, 9.5, 10	10803172
	10.5, 11	10803173
	12, 13, 14*	10803174
2275	8, 8.5, 9, 10.5	10803169
	9.5, 10	10803168
	11, 12	10803167
	13, 14, 15, 17*	10803166
2310	9, 10	10616013
	10.5, 12	10616014
	11, 12.5	10616015
	13	10616018
	14, 16	10616019
	15	10615743
2350	15.5	10616020
	11, 12, 15	10803162
	12.5, 13, 14, 15.5, 17*	10803163
	16, 18, 19, 20*	10803165

*Pinion shaft and spiral bevel gear head (ref. # 101 & 102) are integrated.

Type CTA • Sizes 2255-2350 • Double Reduction

TABLE 7 – Low & Intermediate Speed Shaft Assembly

Shaft Seals

Ref No.	Drive Size	Description	Commercial No.
232	2255	Seal, Nitrile	120x150x12 HMS5 RG
	2275		130x160x12 HMS5 RG
	2310		140x170x12 HMS5 RG
	2350		150x180x12 HMS5 RG

Bearings

Ref No.	Drive Size	Description	Commercial No.
250	2255	Tapered Roller Bearing	32224
	2275		32226
	2310		32228-A
	2350		32230
	350		2255
2275		32315	
2310		32316 J2	
2350		32320	

TABLE 8 – High Speed Shaft Assembly Shaft Seals

Ref No.	Drive Size	Description	Commercial No.
132	2255	Seal, Nitrile	65x80x8 HMS5 RG
	2275		70x90x12 HMS5 RG
	2310		70x90x12 HMS5 RG
	2350		90x110x12 HMS5 RG

Bearings

Ref No.	Drive Size	Description	Commercial No.
150	2255	Tapered Roller Bearing	31312
	2275		31314
	2310		31314
	2350		31317
	151		2255
2275		22209	
2310		21310 E	
2350		22211	