

# Rexnord 1553 Low Backline Pressure MatTop Chain

## Optimized for your application with innovative, high-density staggered low backline pressure rollers.

Designed specifically for today's demanding tray-less conveying and accumulating applications, the Rexnord® 1553 Low Backline Pressure (LBP) MatTop® Chain is the latest addition to our comprehensive line of high-strength, transfer-efficient, conveying chain. The chain is ideal for smaller case, material and package handling applications.



## HIGH-DENSITY LBP STAGGERED ROLLER DESIGN

The exclusive, high-density staggered LBP roller design produces a more stable surface to accumulate your products with no damage to the package surface. The design provides efficient, in-line self-clearing nose-over transfers, making longer runs possible while eliminating or minimizing dead plates and the concern of stranded product. Additionally, the chain features our patented roller retention system for user-friendly installation and maintenance.

## OPTIMIZATION FOR YOUR APPLICATION

The Rexnord 1553 LBP MatTop Chain design is optimized to accumulate and convey cases, cartons, totes and multi-packs in various materials. Packaging examples include shrink-wrapped PET bottles, high-graphic folding cartons, and corrugated containers.

## STANDARD SPROCKETS, SIMPLIFIED CONVEYOR DESIGN

The Rexnord 1553 LBP MatTop Chain runs on standard Rexnord 1500 Series Sprockets, simplifying conveyor design. Additionally, the sprockets minimize part number and inventory management for customers.

## TECHNICAL EXPERTISE

The combination of our chain design and technical expertise can help you choose durable conveyor systems that guarantee optimal product handling without compromising your ability to meet targets for safety improvements, increased productivity, water reduction, and energy savings. Contact your Rexnord FlatTop representative or our North American Application Engineering team at 262-376-4800 to review your application.

## Key Industries

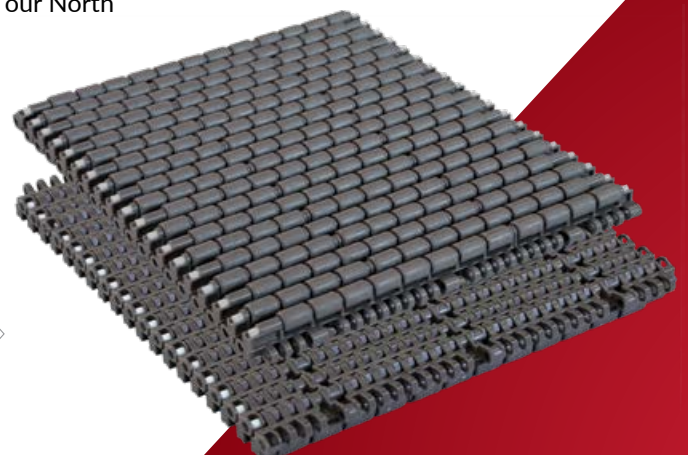
Beverage & Liquid  
Food  
Warehouse & Distribution

## Applications:

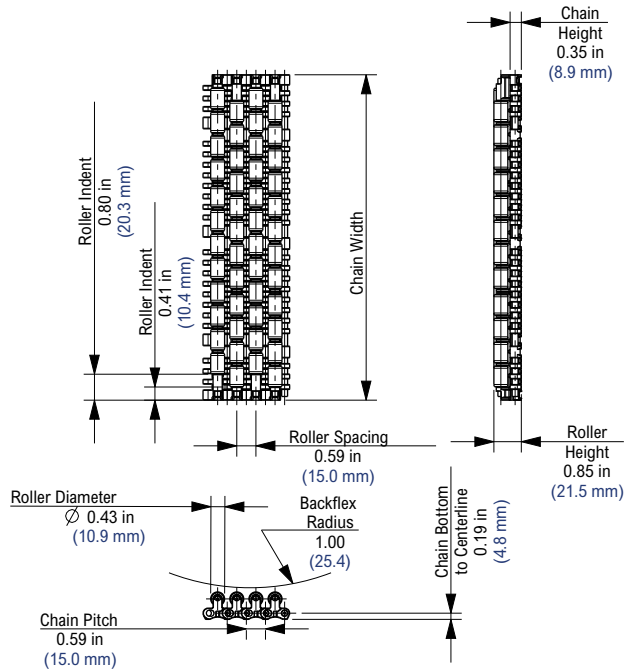
- Case handling
- Material handling
- Package handling

## General specifications:

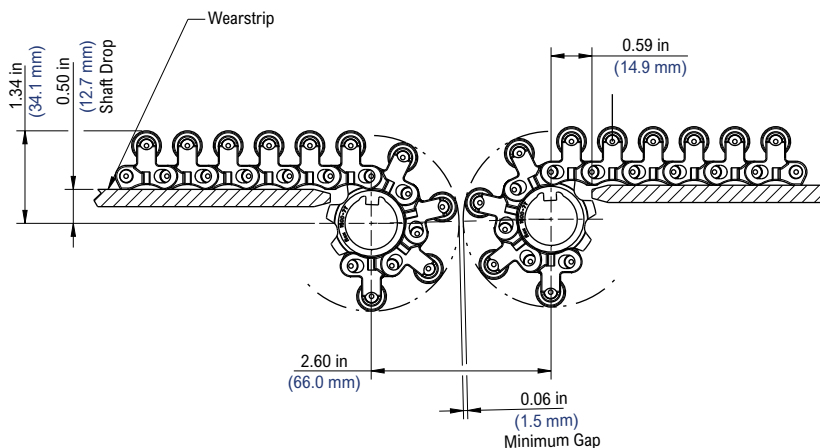
- Capable of self-clearing nose-over transfers
- High-density LBP roller support
- HP™ material
- 10 to 120.5-inch (255 to 3,060 millimeters) widths in 3.35-inch (85 millimeters) increments
- Plugless pin and roller retention design
- Standard Rexnord 1500 Series Sprockets



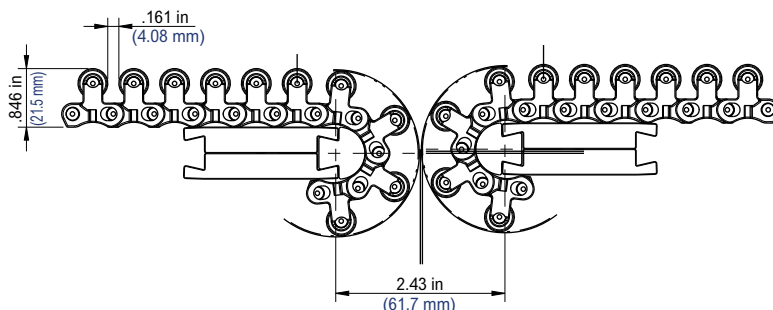
## Rexnord 1553 LBP MatTop Chain dimensions



## Shaft transfer dimensions



## Nose-over transfer dimensions



## FEATURES AND BENEFITS:

### Modular chain design

- Chain widths from 10 to 120.5 inches (255 to 3,060 millimeters)
- 3.35-inch (85 millimeters) increments

### Tight 3/4-inch (19 millimeters) diameter nose-over capable

- Flexibility to handle multiple case sizes with one chain solution
- Compact end-to-end transfers of 2.43 inches (61.7 millimeters)
- Nose-over bars are available for light- and medium-duty applications
- Modular dynamic nose-over bars are available for more demanding applications

### LBP rollers

- HP material rollers paired with polyester pins reduces friction to prevent product damage and provide LBP

### High-density LBP staggered roller design

- Improved product stability
- More rollers under the conveyed product mean less product damage
- Staggered rollers eliminate "seam lines" that can damage conveyed products

### Plugless pin and roller retention design

- User-friendly installation and maintenance

### Polyester hinge and roller pins

- Reduced noise during operation
- Reduced chain elongation

### Complements our existing Rexnord 1500 Series MatTop Chain and runs on standard Rexnord 1500 Series Sprockets

- Robust split sprocket designs
- Plastic and stainless steel materials
- Round and square bores
- Minimizes spare parts inventory

### Less energy consumption

- Plastic construction results in reduced weight and lower energy and horsepower requirements for customers



rexnord.com

866-REXNORD/866-739-6673 (Within the U.S.) or +1 414-643-2366 (Outside the U.S.)



OUR INNOVATION MOVES