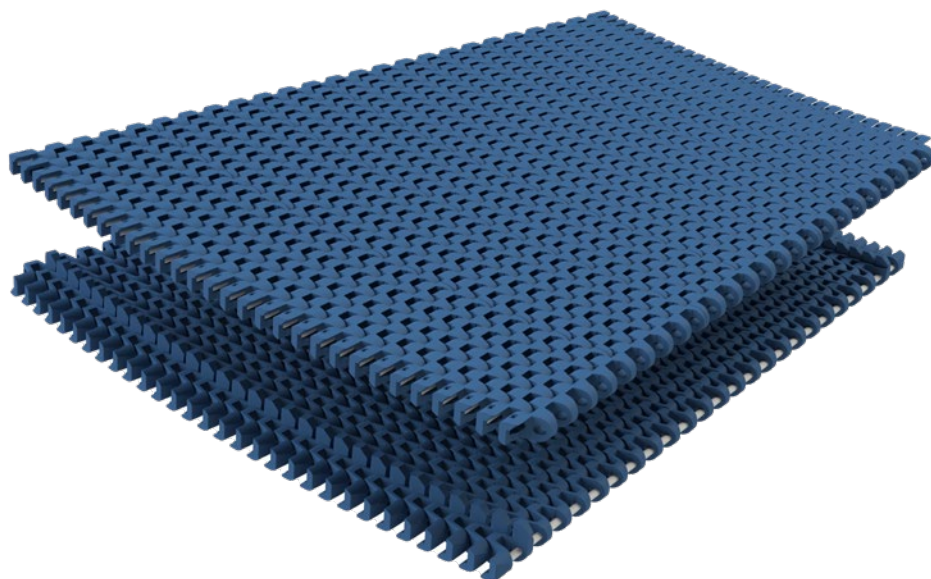


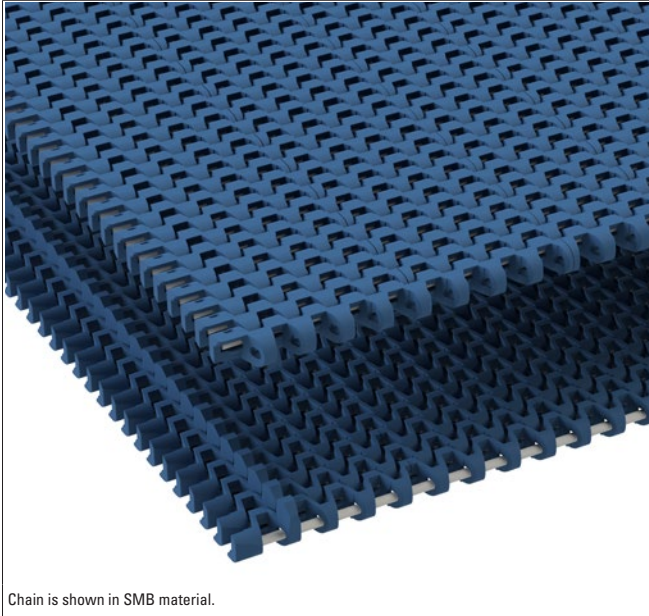


# Rexnord™ 505 Series MatTop™ & KleanTop™ Belt

EMEA STANDARDS



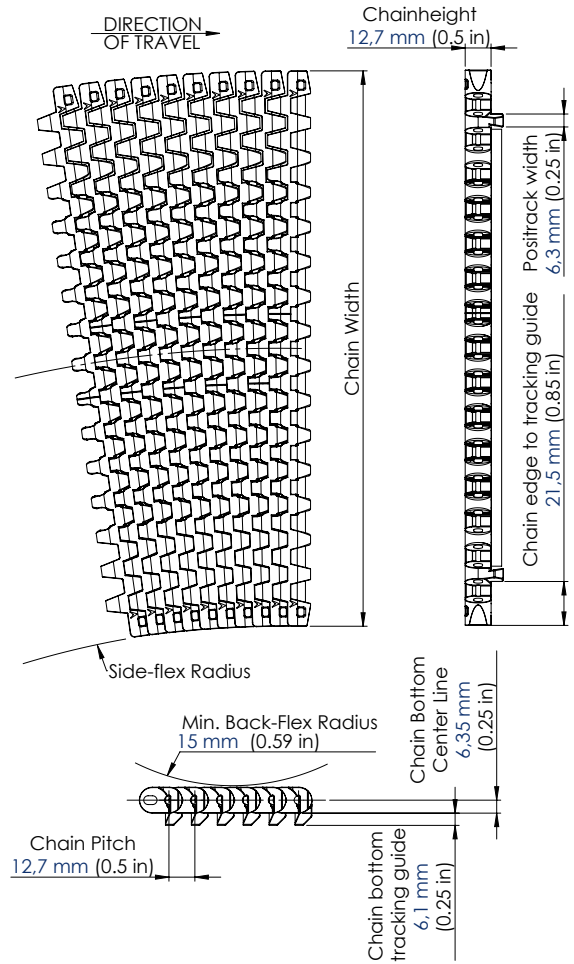
**505**



Chain is shown in SMB material.

**Chain Information**

Chain Capacity	Number of Sprockets per	
	ft of chain width	mm of chain width
Drive Shaft	8 per ft	4 per 170 mm
Idler Shaft	4 per ft	1 per 170 mm



**Available Materials**

Available Widths	Prefix	Chain Material	Rod Material	Temperature Range						Working Load (max)				Approximate Weight		FDA/EU Approved Material
				Fahrenheit			Celsius			Straight		Max Curve Load		lbs/ft²	kg/m²	
				min	max	wet	min	max	wet	lbs/ft	N/m	lbs	N			
Standard Materials																
85 mm up to 680 mm with standard increments of 17 mm	XLG	Low Friction Acetal (Green)	GVK	-40	180	150	-40	82	66	1028	15000	293	1300	2.04	9.94	FDA
	SMB	Blue Cut Resistant	GVK	-40	180	150	-40	82	66	1028	15000	293	1300	2.04	9.94	FDA/EU
	BSE (V-2)	Blue Self Extinguishing	GVK	-40	220	212	-40	104	100	1028	15000	293	1300	1.69	8.24	FDA/EU

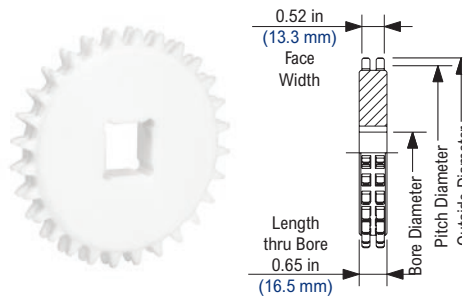
**Regulatory Information**

The Food and Drug Administration (FDA) accepts certain materials for direct food contact. FDA approved material is compliant to FDA 21 CFR § 177. Rexnord and MatTop are trademarks of Regal Rexnord Corporation. All rights reserved.

**Additional Notes**

Non-Standard products are non-returnable. Minimum order quantity and additional setup charges may also apply.  
 Open area = 10%.  
 Nose over diameter = 0.75 inches (19.05 mm).  
 Minimum Side-flex radius = Two times the chain width.  
 Chain strength is listed at room temperature. NR = Not Recommended.  
 Available in KleanTop™ 505 in food-grade materials.  
 For additional material information, see material portfolio.

## KU505 Thermoplastic Solid Sprocket



### KU505 Thermoplastic Solid Sprocket Information

Number of Teeth		Pitch Diameter		Outside Diameter		Bore Diameter (Shaft-Ready)								Bore Diameter (Idler)				Approximate Weight	
						Round				Square				in		mm			
						in	mm	min	max	min	max	min	max	min	max	min	max		
actual	effect	in	mm	in	mm	min	max	min	max	min	max	min	max	min	max	min	max	lbs	kg
28	28	4.46	113.28	4.46	113.3	1	2 1/2	25	65	1	2	25	50	1	2 1/2	25	65	0.31	0.14

All sprocket bores are oversized for a sliding fit. Shaft-ready round bores are shipped with one keyway and no setscrews.



**REXNORD™**

**Regal Rexnord**

Contact us: [rexnord.com/contact](https://rexnord.com/contact)  
[regalrexnord.com](https://regalrexnord.com)

The proper selection and application of products and components, including assuring that the product is safe for its intended use, are the responsibility of the customer. To view our Application Considerations, please visit <https://www.regalrexnord.com/Application-Considerations>.

To view our Standard Terms and Conditions of Sale, please visit <https://www.regalrexnord.com/Terms-and-Conditions-of-Sale> (which may redirect to other website locations based on product family).

"Regal Rexnord" is not indicative of legal entity. Refer to product purchase documentation for the applicable legal entity. Regal Rexnord, KleanTop, MatTop and Rexnord are trademarks of Regal Rexnord Corporation or one of its affiliated companies.

© 2024, 2025 Regal Rexnord Corporation, All Rights Reserved. MCC-10871-RE-EN-A4 03/25

 **RegalRexnord™**