



Rexnord PSX Series Chains

PLATINUM SERIES X (PSX) MATERIAL



Rexnord FlatTop continuously develops innovative conveyor chain and component solutions to meet the increasing performance demands of high-speed filling lines in the food and beverage industries.

PLATINUM SERIES X (PSX) MATERIAL

Rexnord developed LF (Low-Friction) material in the 1970's to address a "high-speed" conveying concerns. In the 1990's, line speeds almost doubled and our HP™ (High Performance) material was introduced. Over time, conveyor speeds continue to increase with concerns in sustainability targeting improved safety, productivity, water consumption and reduction and energy savings. The new PSX® material addresses these needs and will help to set a sustainable conveyor standard for the future.

APPLICATION FIELDS

PSX material is developed for high-speed conveying of glass bottles, PET bottles and cans in conditions where minimal or no external lubrication is present. Rexnord MatTop and TableTop chains in PSX material offer a long wear life with minimal dust forming in dry running applications.

PSX Series TableTop and MatTop Chains

TableTop® Chain (Straight-Running)

- 820/831
- 1000 Series
- SHP325/84

TableTop Chains (Side-Flexing)

- 879/880/882 TAB
- 7700 Series
- RHMP Magnetflex®
- 8500 Series
- FGM 1050 Magnetflex
- FTM 1060/1055 Magnetflex

MatTop® Chains

- 1000 Series
- SHP325/84
- 1005 Series
- TableTop Chains (Side-Flexing)
- 1500 Series
- 879/880/882 TAB
- 7700 Series
- RHMP Magnetflex
- 8500 Series 1505 Series

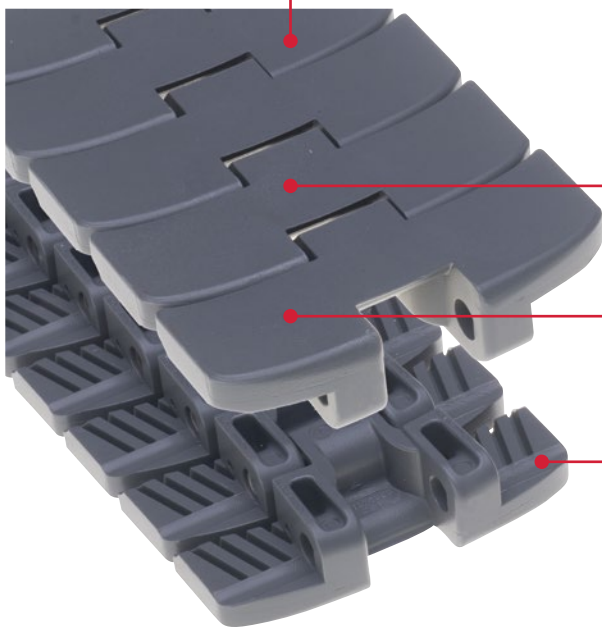
**Please contact your
Rexnord representative
with any questions:**

Rexnord FlatTop Europe
Einsteinstraat 1, 2691 GV
's-Gravenzande
The Netherlands
Phone: +31 174 445 111
After Hours Emergency
Phone: +31 174 445 112

Rexnord FlatTop North America
Phone: 1-262-376-4700

rexnord.com





Key Features

- High strength
- Consistent low friction
- Minimal dusting
- Long wear life

TableTop and MatTop Executions

- Multiple TableTop Series
- Multiple MatTop Series

Low-Friction Coefficient

- PSX material offers consistent low-friction coefficient with glass, PET and aluminium cans

Minimizes Dust

- Minimizes dusting phenomena typically for dry running conveying

Multiple Applications

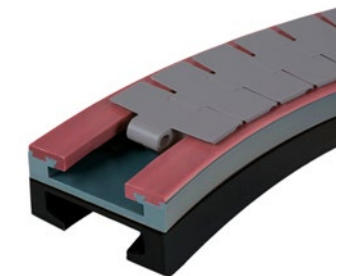
- Aluminium and steel can conveying
- Glass bottle handling
- PET bottle conveying



PSX FTM1060 K330 TableTop Chain



PSX FTM1060 K330 TableTop Chain in combination with ULF wearstrips

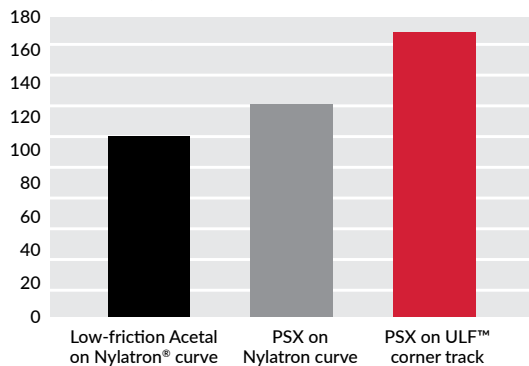


PSX Chain on a TAB X Corner Track with ULF Wearstrips



ULF Wearstrip (Part S0362)

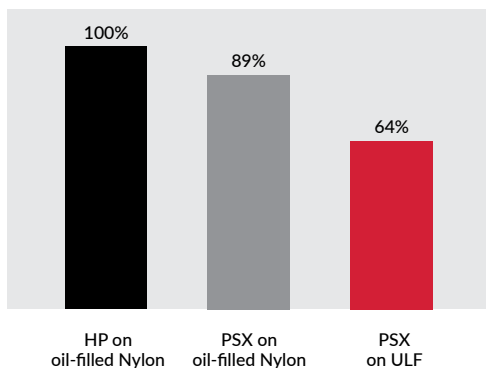
PV (PRESSURE VELOCITY) INDEX



Test conditions

- Room temperature
- Test duration: 1.000.000 cycles
- Speed: 82/min
- Corner load: 57kg
- Dry running

HEADSHAFT LOAD TREND



Test conditions

- Room temperature
- Test duration: 1000 hours
- Speed: 82/min
- Top load: 13.6 Kg
- Dry running



rexnord.com

Contact us – visit rexnord.com/contact



OUR INNOVATION MOVES