



Please contact your Rexnord Representative with any questions:

Rexnord FlatTop Europe

Einsteinstraat 1, 2691 GV
's-Gravenzande
The Netherlands
Phone: +31 174 445 111
After Hours Emergency
Phone: +31 174 445 112
(including countries not listed)

Rexnord FlatTop Italy

Phone: +39 0522 639333

Rexnord FlatTop Germany

Phone: 0800 588 8083

Rexnord FlatTop France

Phone: 0805 540 444

Rexnord FlatTop India

Phone: +91 040 23078243

Rexnord FlatTop China

Phone: +86 21 52436100

**Rexnord FlatTop
North America**

1272 Dakota Drive
Grafton, WI, 53024 USA
Phone: 1-262-376-4700

www.rexnord.com

www.rexnordflattop.com

Rexnord ZeroGap 1775 Series TableTop Chain

Rexnord is pleased to announce the introduction of a ZeroGap™ 1775 Series TableTop® Chain. Designed with a heavy-duty 1-inch (25 mm) pitch, 2.76-inch wide (70 mm) chain and based on the successful ZeroGap design, 1775 chain allows for tight sideflex radius with no gap opening on its surface. This enhances product conveyability resulting in less tippage, reduced debris trapping and improved safety.

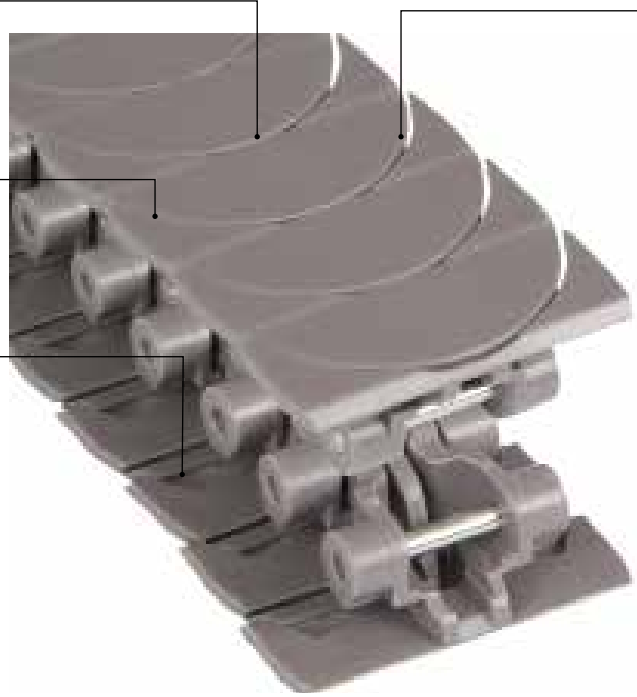
This new chain is ideal to convey unstable and delicate containers like tall laminated paper bricks.



Gap Opening between links less than 0.16 in (4 mm)
Between links less than 0.16 in (4 mm) when running on T19 sprocket

Backflex radius 3.15 in (80 mm) minimum
Helps with effective chain tensioning devices

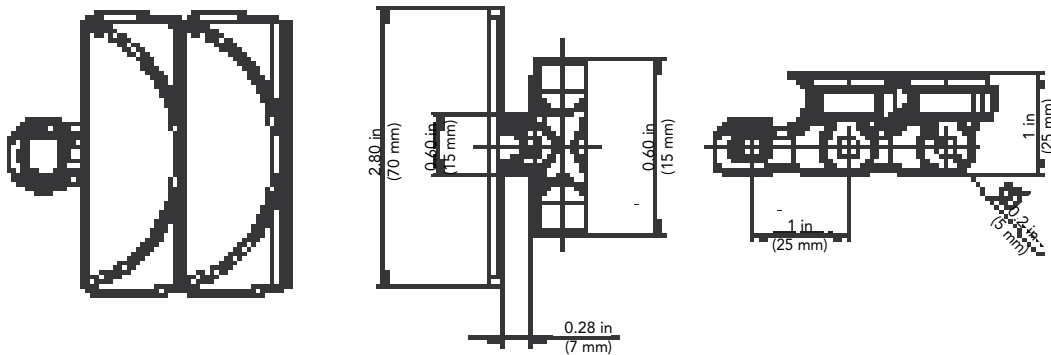
Sideflex radius 6 in (150 mm) minimum
Compact layouts



ZeroGap
Minimal opening when running in curves

| Chain Type | Code Number | Plate Width A | Working Load (max.) | Backflex Radius in / mm | Sideflex Radius in / mm |
|------------------|-------------|---------------|---------------------|-------------------------|-------------------------|
| | | in / mm | N | | |
| HP-ACETAL | | | | | |
| HP 1775 | L1775634993 | 2.76 / 70.0 | 1000 | 3.15 / 80.0 | 6.0 / 150.0 |

Standard length: 16.4 ft (5 m) – 200 links
Various size machined sprockets are available upon request



ULF Wearstrip Part S0840

