



Please contact your Rexnord Representative with any questions:

Rexnord FlatTop Europe

Einsteinstraat 1, 2691 GV 's-Gravenzande
The Netherlands
Phone: +31 174 445 111
After Hours Emergency
Phone: +31 174 445 112
(including countries not listed)

Rexnord FlatTop Italy

Phone: +39 0522 639333

Rexnord FlatTop Germany

Phone: 0800 588 8083

Rexnord FlatTop France

Phone: 0805 540 444

Rexnord FlatTop India

Phone: +91 98813 99026

Rexnord FlatTop China

Phone: +86 21 66188307

**Rexnord FlatTop
North America**

1272 Dakota Drive
Grafton, WI, 53024 USA
Phone: 1-262-376-4700

www.rexnord.com

www.rexnordflattop.com

Rexnord NSH 815 TableTop Sprockets Moulded Hygienic Split Design

Rexnord FlatTop continuously develops and introduces new products for conveyors. Our three product lines; Rexnord®, MCC® and Marbett® are frequently reviewed to ensure they continue to provide high-performance and overall value to customers.

NSH 815 TableTop Sprockets

The new NSH 815 TableTop® Sprockets are suitable for most common 815 Series and MCC Metal TableTop chains.

Hygienic Design

The NSH 815 sprocket design has a fully rounded structure, resulting in a hygienic design which is easy to clean.

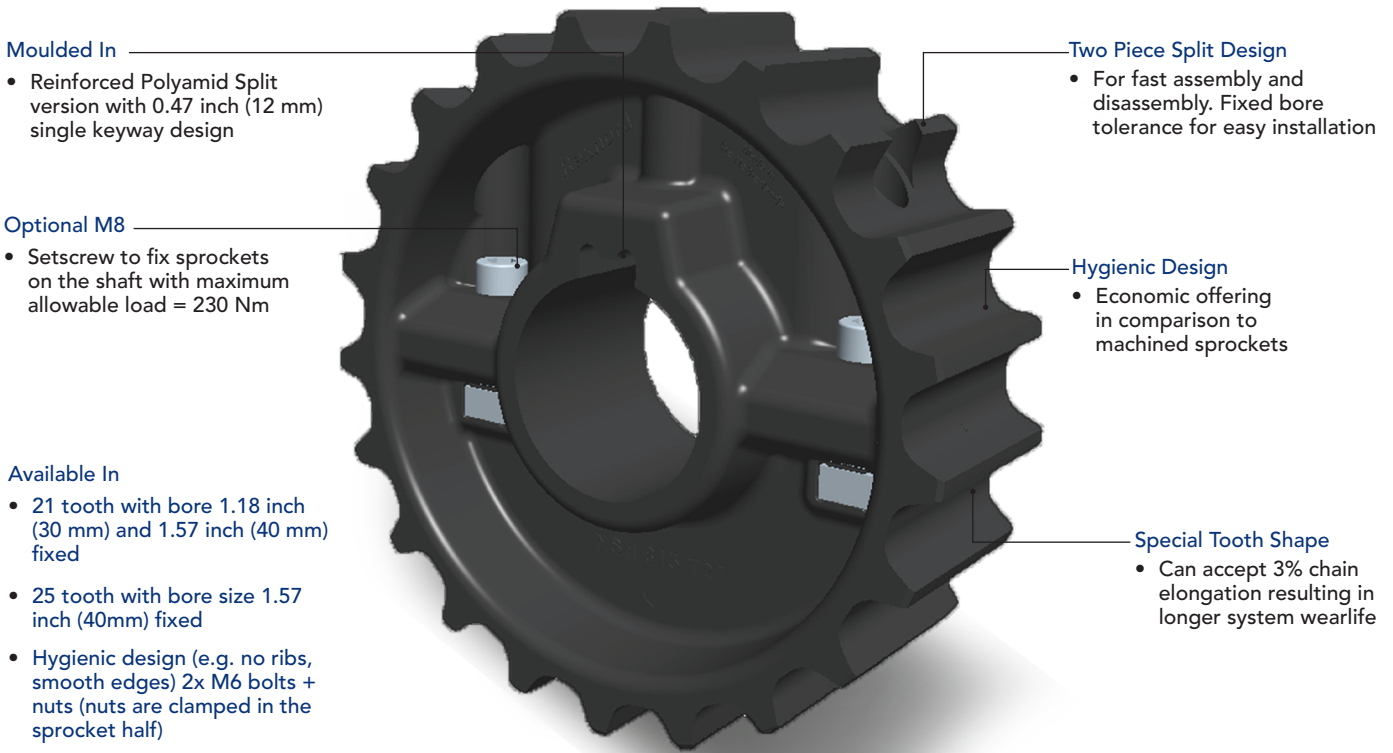
Economic Alternative

The NSH 815 TableTop sprockets are an economic alternative to machined TableTop sprockets.

Split Version

The NSH 815 sprockets feature a split design for easy installation and removal. The sprockets are assembled with two hexagonal bolts.





Sprocket Type	Code Number	Number of Teeth	Pitch Diameter	Outside Diameter	Width	Hub Width	Shaft Size	Equivalent of KUS815
			in / mm	in / mm	in / mm	in / mm	in / mm	
Split moulded sprocket NSH 815								
NSH 815T21R30	754.70.03	21	5.09 / 129.3	5.11 / 130.0	1.57 / 40	1.57 / 40	1.18 / 30	753.62.23
NSH 815T21R40	754.70.00	21	5.09 / 129.3	5.11 / 130.0	1.57 / 40	1.57 / 40	1.57 / 40	753.62.43
NSH 815T25R40	754.70.06	25	6.03 / 153.2	6.05 / 153.9	1.57 / 40	1.57 / 40	1.57 / 40	753.62.45
Split moulded sprocket NSH 815 with M8 setscrew								
NSH 815T21R30	754.70.11	21	5.09 / 129.3	5.11 / 130.0	1.57 / 40	1.57 / 40	1.18 / 30	753.62.23
NSH 815T21R40	754.70.09	21	5.09 / 129.3	5.11 / 130.0	1.57 / 40	1.57 / 40	1.57 / 40	753.62.43
NSH 815T25R40	754.70.13	25	6.03 / 153.2	6.05 / 153.9	1.57 / 40	1.57 / 40	1.57 / 40	753.62.45

