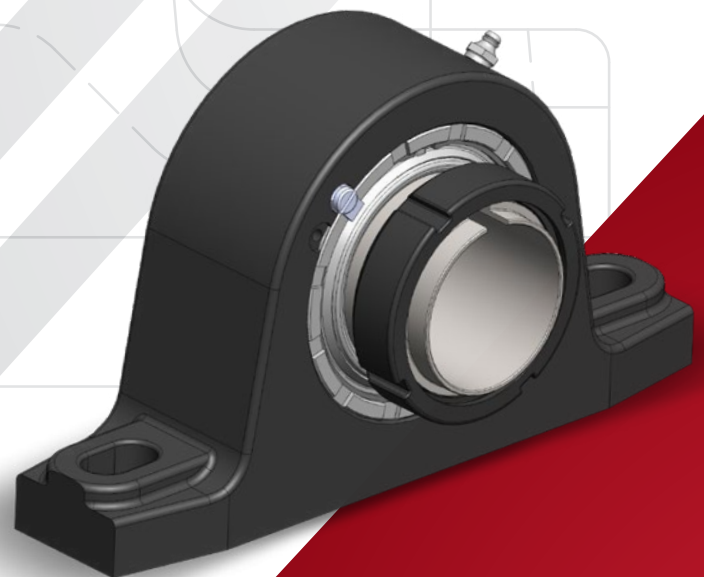


RN Series Bearings



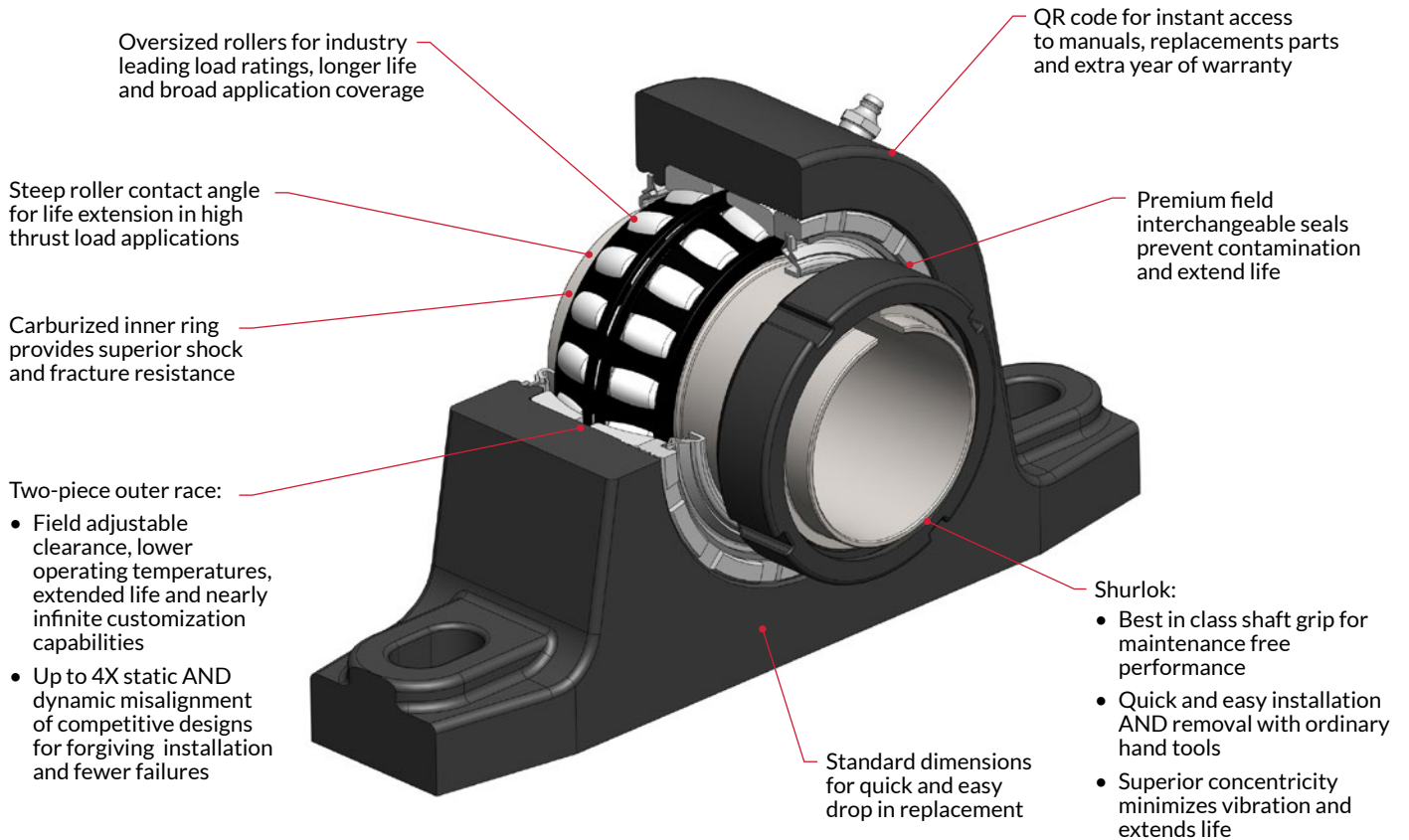
Download the most up-to-date version
at www.rexnord.com/documentation



Metric RN Series is ready to handle the toughest jobs



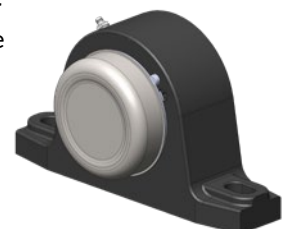
As the global leader in bearing solutions, Rexnord is proud to introduce our RN Series of Metric Bearings, ideally suited for the toughest, most demanding industries. Built on 150 years of industry experience, the RN Series offers cutting-edge design with unmatched ease of use, performance and durability that's a drop-in replacement for existing SN500 bearings. For you, that means better efficiency and productivity, less downtime, and low total cost of ownership.



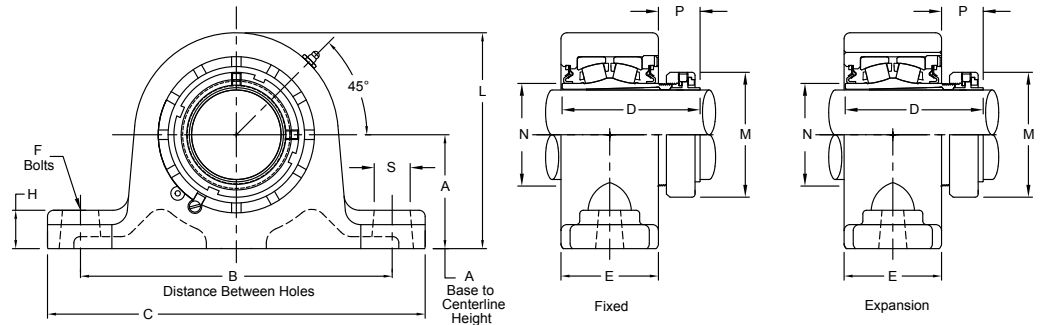
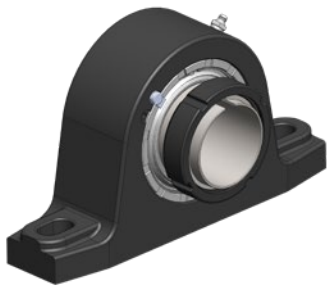
REDUCED TOTAL COST OF OWNERSHIP WITH THE REXNORD RN SERIES OF METRIC BEARINGS

- **Shaft Ready** – Save time and money with pre-assembled bearing units that eliminate the need to set clearance and add grease
- **Unitized Solid One Piece Housing** – Hassle free replacement of existing bearings with housing dimensions that are fully interchangeable with existing SN500 series bearings

- **Easy On/Easy Off Shaft Mounting** – Save time and money with the SHURLOK tapered adapter that provides quick installation and removal of the bearing and delivers industry leading shaft grip
- **Auxiliary Covers** – Extend bearing life with auxiliary covers that provide contaminate protection in extreme conditions



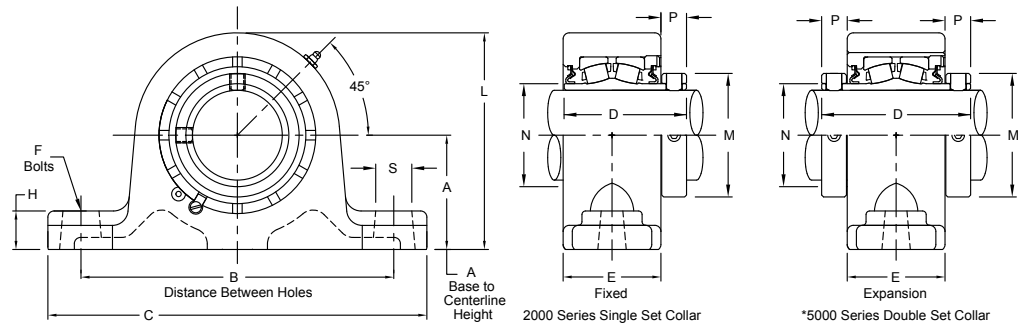
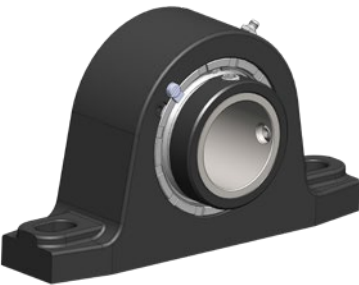
P2B-RN*-6000 — Shurlok Tapered Adapter



Bearing Dimensions (MM)

Size Code	Shaft Dia.	Fixed Part Number	Expansion Part Number	A Base to Center Line Height	B Min	B Max	C ±.25mm	D	E	F Bolts	H	L	M	N	P	S	C Dynamic Load Rating Newtons/ Lbs	Co Static Load Rating Newtons/ Lbs
4	35.0	P2B-RN04-6035MM-Z	P2B-RN04-6035MM-Z-E	60	155	185	205	84.5	55.6	12	25	115.0	60.5	44.3	29.0	21	88342 / 19860	92968 / 20900
5	40.0	P2B-RN05-6040MM-Z	P2B-RN05-6040MM-Z-E	60	155	185	205	94.9	63.5	12	25	121.2	67.1	51.5	31.6	21	123750 / 27820	127664 / 28700
6	45.0	P2B-RN06-6045MM-Z	P2B-RN06-6045MM-Z-E	60	155	185	205	92.4	63.5	12	25	123.7	72.7	58.6	26.2	21	128509 / 28890	147681 / 33200
7	50.0	P2B-RN07-6050MM-Z	P2B-RN07-6050MM-Z-E	70	186	226	255	93.5	65.0	16	30	138.8	82.0	66.5	29.2	28	163116 / 36670	197501 / 44400
	55.0	P2B-RN07-6055MM-Z	P2B-RN07-6055MM-Z-E															
8	60.0	P2B-RN08-6060MM-Z	P2B-RN08-6060MM-Z-E	80	201	247	275	103.0	67.6	16	30	154.2	91.3	73.7	36.0	31	192341 / 43240	237980 / 53500
	65.0	P2B-RN09-6065MM-Z	P2B-RN09-6065MM-Z-E	80	201	249	280	114.7	81.0	16	30	165.1	104.1	85.6	35.0	32	256885 / 57750	318048 / 71500
9	70.0	P2B-RN09-6070MM-Z	P2B-RN09-6070MM-Z-E	95	240	280	315	114.7	81.0	20	32	180.1	104.1	85.6	35.0	30	256885 / 57750	318048 / 71500
	75.0	P2B-RN09-6075MM-Z	P2B-RN09-6075MM-Z-E															
10	80.0	P2B-RN10-6080MM-Z	P2B-RN10-6080MM-Z-E	100	271	307	345	127.8	87.4	20	35	195.8	125.7	101.0	40.3	28	375119 / 84330	403454 / 90700
	85.0	P2B-RN10-6085MM-Z	P2B-RN10-6085MM-Z-E	112	271	307	345	127.8	87.4	20	35	207.4	125.7	101.0	40.3	28	375119 / 84330	403454 / 90700
11	90.0	P2B-RN11-6090MM-Z	P2B-RN11-6090MM-Z-E	112	290	340	380	147.0	106.4	24	40	222.5	144.0	115.8	44.1	37	582584 / 130970	609406 / 137000
	100.0	P2B-RN11-6100MM-Z	P2B-RN11-6100MM-Z-E	125	324	370	410	147.0	106.4	24	45	235.5	144.0	115.8	44.1	35	582584 / 130970	609406 / 137000
12	110.0	P2B-RN12-6110MM-Z	P2B-RN12-6110MM-Z-E	140	328	370	410	158.9	108.0	24	45	262.9	154.0	127.8	47.8	33	665009 / 149500	708602 / 159300
13	115.0	P2B-RN13-6115MM-Z	P2B-RN13-6115MM-Z-E	150	357	403	445	201.0	141.3	24	50	293.1	176.6	146.0	56.9	35	850055 / 191100	1076025 / 241900
	125.0	P2B-RN13-6125MM-Z	P2B-RN13-6125MM-Z-E	150	391	447	500	201.0	141.3	30	50	293.1	176.6	146.0	56.9	43	850055 / 191100	1076025 / 241900

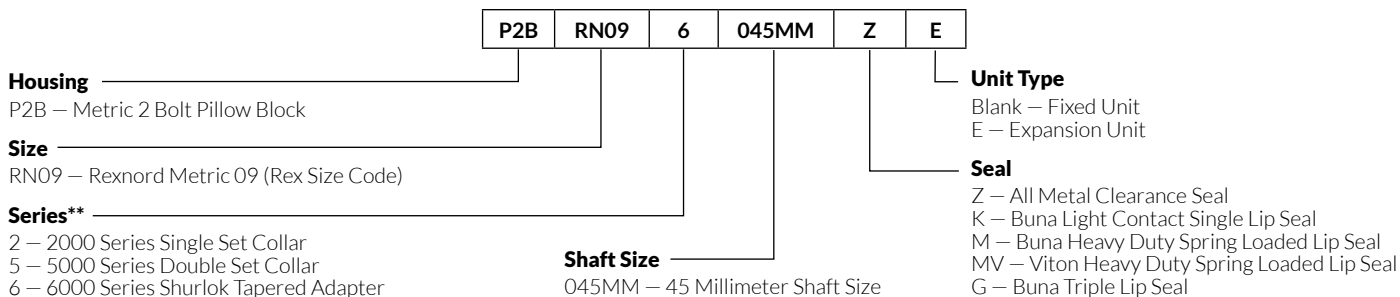
P2B-RN*-2000, P2B-RN*-5000 — Single and Double Spring Locking Collar



Bearing Dimensions (MM)

Size Code	Shaft Dia.	Fixed Part Number	Expansion Part Number	A Base to Center Line Height	B Min	B Max	C ±.25mm	D	E	F Bolts	H	L	M	N	P	S	C Dynamic Load Rating Newtons/ Lbs	Co Static Load Rating Newtons/ Lbs
4	35.0	P2B-RN04-2035MM-Z	P2B-RN04-2035MM-Z-E	60	155	185	205	73.0	55.6	12	25	115.0	58.4	44.3	17.5	21	88342 / 19860	92968 / 20900
5	40.0	P2B-RN05-2040MM-Z	P2B-RN05-2040MM-Z-E	60	155	185	205	79.4	63.5	12	25	121.2	65.6	51.5	16.4	21	123750 / 27820	127664 / 28700
	45.0	P2B-RN05-2045MM-Z	P2B-RN05-2045MM-Z-E															
6	50.0	P2B-RN06-2050MM-Z	P2B-RN06-2050MM-Z-E	70	186	226	255	79.4	63.5	16	28	133.7	73.0	58.6	16.7	28	128509 / 28890	147681 / 33200
7	55.0	P2B-RN07-2055MM-Z	P2B-RN07-2055MM-Z-E	70	186	226	255	84.1	65.0	16	30	138.8	82.6	66.5	19.9	28	163116 / 36670	197501 / 44400
8	60.0	P2B-RN08-2060MM-Z	P2B-RN08-2060MM-Z-E	80	201	247	275	88.9	67.6	16	30	154.2	90.2	73.7	21.9	31	192341 / 43240	237980 / 53500
	65.0	P2B-RN08-2065MM-Z	P2B-RN08-2065MM-Z-E															
9	70.0	P2B-RN09-2070MM-Z	P2B-RN09-2070MM-Z-E	95	240	280	315	101.6	81.0	20	32	180.1	102.7	85.6	21.4	30	256885 / 57750	318048 / 71500
	75.0	P2B-RN09-2075MM-Z	P2B-RN09-2075MM-Z-E															
10	80.0	P2B-RN10-2080MM-Z	P2B-RN10-2080MM-Z-E	100	271	307	345	111.1	87.4	20	35	195.8	124.6	101.0	22.9	28	375119 / 84330	403454 / 90700
	85.0	P2B-RN10-2085MM-Z	P2B-RN10-2085MM-Z-E	112	271	307	345	111.1	87.4	20	35	207.4	124.6	101.0	22.9	28	375119 / 84330	403454 / 90700
11	90.0	P2B-RN11-2B090MM-Z	P2B-RN11-2B090MM-Z-E	112	290	340	380	130.2	106.4	24	40	222.5	142.9	115.8	26.4	37	582584 / 130970	609406 / 137000
12	100.0	P2B-RN11-2100MM-Z	P2B-RN11-2100MM-Z-E	125	324	370	410	130.2	106.4	24	45	235.5	142.9	115.8	26.4	35	582584 / 130970	609406 / 137000
	110.0	*P2B-RN12-5110MM-Z	*P2B-RN12-5110MM-Z-E	140	328	370	410	158.8	108.0	24	45	262.9	157.2	127.8	25.4	33	665009 / 149500	708602 / 159300
13	115.0	*P2B-RN12-5115MM-Z	*P2B-RN12-5115MM-Z-E	150	357	403	445	158.8	108.0	24	50	273.1	157.2	127.8	25.4	35	665009 / 149500	708602 / 159300
	125.0	*P2B-RN13-5125MM-Z	*P2B-RN13-5125MM-Z-E	150	391	447	500	200.1	141.3	30	50	293.1	178.9	146.0	29.5	43	850055 / 191100	1076025 / 241900

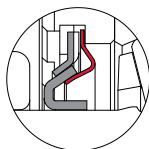
NOMENCLATURE



** See table titled "P2BRN*2000, P2BRN*5000 – Single and Double Spring Locking Collar" on page 3 for slight modification to 90mm nomenclature.

SEAL CHOICES*

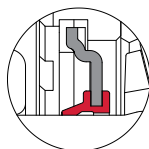
Z-Seal (Z in part number)



The standard seal used in the majority of applications.

- No frictional drag – generates no heat
- No speed limitations
- All metal – no temperature limitations
- All metal clearance (std)
- 35-125mm

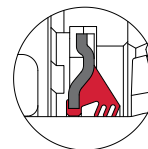
K-Seal (K in part number)



Molded nitrile rubber lip seals out contaminants.

- Protects against contaminants
- Handles high speeds and vibration
- Less drag and heat generation than heavy contact seals
- Buna single lip light contact
- 35-100mm

G-Seal (G in part number)



Premium elastomer, heavy contact, triple lip seal.

- Protects against fine particles and moisture
- Three contacting lips provide constant contact even during misalignment
- Metal outboard guard protects inner seal lips from abrasion and damage
- Buna triple lip heavy contact
- 35-125mm

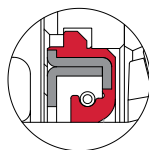
M-Seal (M in part number)



Premium elastomer, spring loaded contact lip.

- Protects against liquids and grit
- Spring loaded lip assures constant contact, even during misalignment
- Molded-in garter spring retains seal in housing
- Seals in lubricant on horizontal and vertical shafts
- Buna spring loaded lip heavy contact
- 35-125mm

M-Seal Viton® (MV in part number)

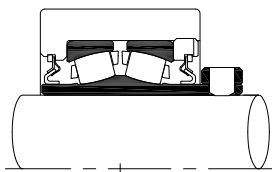


Premium elastomer, spring loaded contact lip.

- Protects against liquids and grit
- Spring loaded lip assures constant contact, even during misalignment
- Molded-in garter spring retains seal in housing
- Seals in lubricant on horizontal and vertical shafts
- Available in Viton® material
- Viton spring loaded lip heavy contact
- 35-125mm

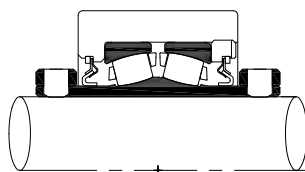
** Consult Rexnord Application Engineering for speed and temperature limitations*

SHAFT MOUNTING STYLES



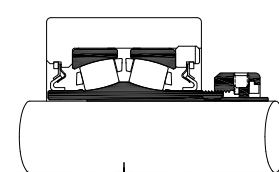
2000 Series Single Set Collar

- Normal duty
- Common in industry
- 35-100mm



5000 Series Double Set Collar

- Heavy duty
- Increased shaft holding power and stability
- 110-125mm



6000 Series SHURLOK Adapter Mount

- Heavy duty
- Accommodates undersized shafting
- Allows for easy removal of bearing from shaft
- 35-125mm