

ZAF 6000 Series SHÜRLOK™ Adapter Mount Roller Bearing



General Bearing Information

Races	Precision ground and super finished
Housings	Powder Coated Cast Iron
Grease	Multi-purpose lithium complex
Standard Seal	Z - Labyrinth type

Mounting Type

SHÜRLOK™ adapter mount

Shaft Sizes

2⁷/₁₆" through 4¹⁵/₁₆"

Spyglass™ Optical Strain Sensor (OSS)	<ul style="list-style-type: none"> Provides instant feedback for optimal shaft grip Eliminates damage to the shaft and bearing because of improper tightness on the mounting Allows quick and easy installation
Positive Locking System	<ul style="list-style-type: none"> Reduced vibration eliminates the need for scheduled mounting inspections
Adapter Sleeve Assembly	<ul style="list-style-type: none"> Allows easy removal of the bearing from the shaft – saves on maintenance time and damaged shafts Accommodates the use of inexpensive commercial grade shafting
Heavy Duty One-Piece Housing	<ul style="list-style-type: none"> No assembly required - decreases installation/ removal time by 80%
Factory Pre-set Clearances	<ul style="list-style-type: none"> Reduces installation time by 80% Eliminates the use of feeler gauges during installation
Precision Milled Base	<ul style="list-style-type: none"> Promotes proper dynamic and static alignment - increasing the life of the bearing

Available Housing Styles

- 2 and 4 bolt Pillow Block
- Flange Blocks
- Flange Cartridge Blocks
- Cartridge Blocks
- Duplex units
- Take-ups
- Fixed or Float

Available Options

- Optional Seals:
 - K – Light contact Single lip Seal
 - M – Heavy contact Spring Loaded Lip Seal
 - Viton® M-seals for higher temperature and chemical resistance

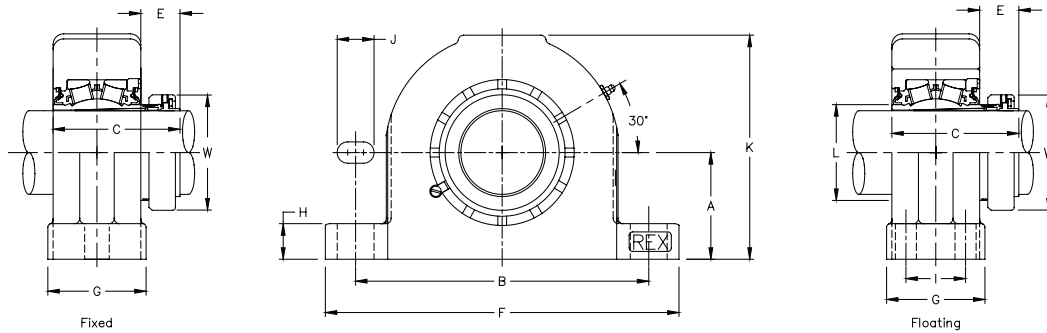
- Special grease
- Auxiliary End Caps
- High Temperature options including additional internal clearance, steel retainers and optional greases

Accommodates Commercial Grade Shafting!	
Shaft Diameters	Tolerances
1" through 2"	Nominal to -.003"
2 1/16" through 4"	Nominal to -.004"
4 1/16" through 5"	Nominal to -.005"

Key Industries

Forest Products Mining Steel Cement/Aggregate Air Handling

Nomenclature & Specifications



Specifications - Floating Units Provide 3/8" Axial Movement

Shaft Size Inches	Complete Block No.		Size Code	Dimension in Inches													Bolts Req'd		Complete Block Net Wt. Blbs	
	Fixed	Floating		A	B		C	E		F	G	H	I	J	K	W	No.	Size	Fixed	Float
				+/- .005	MIN.	MAX.	Fixed	Floating Max.	+/- .0075				
2-7/16	ZAF-6207	ZAFS-6207	8	3-1/4	8-5/8	9-5/8	4-5/32	1-27/64	1-19/64	11.125	3-1/8	1-1/4	1-1/4	7	3-19/32	2	5/8	32.5	32.5
2-7/16	ZAF-6207-F	ZAFS-6207-F		4	1/2	31.0	31.5													
2-11/16	ZAF-6211	ZAFS-6211	9	3-1/2	9-7/8	11	4-17/32	1-25/64	1-17/64	12.594	3-1/2	1	1-7/16	7-5/8	4-3/32	2	3/4	45.5	45.0
2-11/16	ZAF-6211-F	ZAFS-6211-F		4	5/8	44.5	44.5													
2-15/16	ZAF-6215	ZAFS-6215	9	3-3/4	9-7/8	11	4-17/32	1-25/64	1-17/64	12.594	3-1/2	1-1/4	1-7/16	7-7/8	4-3/32	2	3/4	45.0	45.5
2-15/16	ZAF-6215-F	ZAFS-6215-F		4	5/8	45.0	45.5													
3-7/16	ZAF-6307	ZAFS-6307	10	4-1/2	11-13/16	13-1/8	5-9/64	1-19/32	1-15/32	15.375	4-11/32	1-21/32	1-21/32	9-3/8	4-61/64	2	7/8	76.5	76.5
3-7/16	ZAF-6307-F	ZAFS-6307-F		4	3/4	75.0	75.5													
3-15/16	ZAF-6315-F	ZAFS-6315-F	11	4-15/16	12-19/32	14-1/2	5-31/32	1-47/64	1-39/64	16.500	4-3/4	1-25/32	2-3/4	1-53/64	10-5/16	5-43/64	4	3/4	102.0	103.5
4-7/16	ZAF-6407Y-F	ZAFS-6407Y-F	12	6	14-1/2	16	6-1/4	1-7/8	1-3/4	18.375	5-1/8	2-1/16	3-1/4	1-3/4	11-7/8	6-1/16	4	7/8	142.5	144.0
4-15/16	ZAF-6415-F	ZAFS-6415-F	13	6	15-5/8	17-3/8	7-15/16	2-1/4	2-1/64	19.703	5-7/8	2-1/16	3-3/8	1-15/16	12-9/16	6-61/64	4	1	206.5	209.0

* Consult Rexnord Catalog 1000 for load and speed ratings

Seals - To Specify K or M seal, replace "Z" in model number with "K" or "M"

Rexnord 6000 Series SHÜRLOK™ Adapter Mount Roller Bearings Interchange Chart

Shaft Size (in)	# of Bolts	Rexnord Part #		SKF Part #		Dodge Part #	
		Fixed	Floating	Fixed	Floating	Fixed	Floating
2-7/16	2	ZAF6207	ZAFS6207	SAF22515	SAF22515	P2B515-ISAF-207R	P2B515-ISAF-207RE
2-7/16	4	ZAF6207F	ZAFS6207F	FSAF22515	FSAF22515	P4B515-ISAF-207R	P4B515-ISAF-207RE
2-11/16	2	ZAF6211	ZAFS6211	SAF22516	SAF22516	P2B516-ISAF-211R	P4B516-ISAF-211RE
2-11/16	4	ZAF6211F	ZAFS6211F	FSAF22516	FSAF22516	P4B516-ISAF-211R	P4B516-ISAF-211RE
2-15/16	2	ZAF6215	ZAFS6215	SAF22517	SAF22517	P2B517-ISAF-215R	P2B517-ISAF-215RE
2-15/16	4	ZAF6215F	ZAFS6215F	FSAF22517	FSAF22517	P4B517-ISAF-215R	P4B517-ISAF-215RE
3-7/16	2	ZAF6307	ZAFS6307	SAF22520	SAF22520	P2B520-ISAF-307R	P2B520-ISAF-307RE
3-7/16	4	ZAF6307F	ZAFS6307F	FSAF22520	FSAF22520	P4B520-ISAF-307R	P4B520-ISAF-307RE
3-15/16	4	ZAF6315F	ZAFS6315F	SAF22522	SAF22522	P4B522-ISAF-315R	P4B522-ISAF-315RE
4-7/16	4	ZAF6407YF	ZAFS6407YF	SAF22526	SAF22526	P4B526-ISAF-407R	P4B526-ISAF-407RE
4-15/16	4	ZAF6415F	ZAFS6415F	SAF22528	SAF22528	P4B528-ISAF-415R	P4B528-ISAF-415RE

Call 866-REXNORD or visit www.rexnord.com for more information.

Rexnord is a registered trademark and SHÜRLOK and Spyglass are trademarks of Rexnord Industries, LLC.
Viton is a registered trademark of DuPont Performance Elastomers.