



Key Industries:

- Cement/Aggregate
- Forest Products
- Mining
- Steel

Housing Options:

- Type E 2- and 4-bolt pillow blocks
- Type E flange blocks
- Flange cartridge blocks
- Cartridge blocks
- Take-ups
- Fixed
- Float (3/8 inch)

Shaft Sizes:

1 7/16–5 inch

Shaft Tolerance Recommendations:

- 1–2 inch nominal to 0.0005 inch tolerances
- 2 1/16–4 inch nominal to 0.001 inch tolerances
- 4 1/16–5 inch nominal to 0.0015 inch tolerances

Mounting Type:

Double set collar

Link-Belt B22500 Series Roller Bearing

When equipment goes down you lose money — plain and simple. Link-Belt® B22500 Series Roller Bearing was designed to maximize uptime and minimize changeover time so you can keep your equipment — and your profits — going strong.

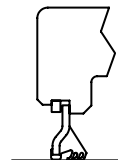
General Bearing Information:

- Housings — Powder Coated Cast Iron
- Grease — Multi-purpose lithium complex
- Standard Seal:
 - Type H — Floating labyrinth seals have multiple self-centering rings held securely in a steel carrier. Type H seals are normally furnished.



Available Options:

- Optional seals:
 - E Seal — Spring loaded lip seals provide uniform pressure for maintaining contact with the inner ring. Typically used for liquid splash environments.
 - E7 Seal — Triple lip seal with metal outboard guard for severe applications. The metal guard protects the inner seal lips from abrasion and damage.



- Special grease
- End closures

**Dynamic and Static Misalignment Capabilities
+/- 4 degrees**

- Reduces failures caused by installation or running misalignment

Threaded Cover Design

- Field adjustable clearances
- One bearing for multiple applications

Polyester Powder-coated Housing

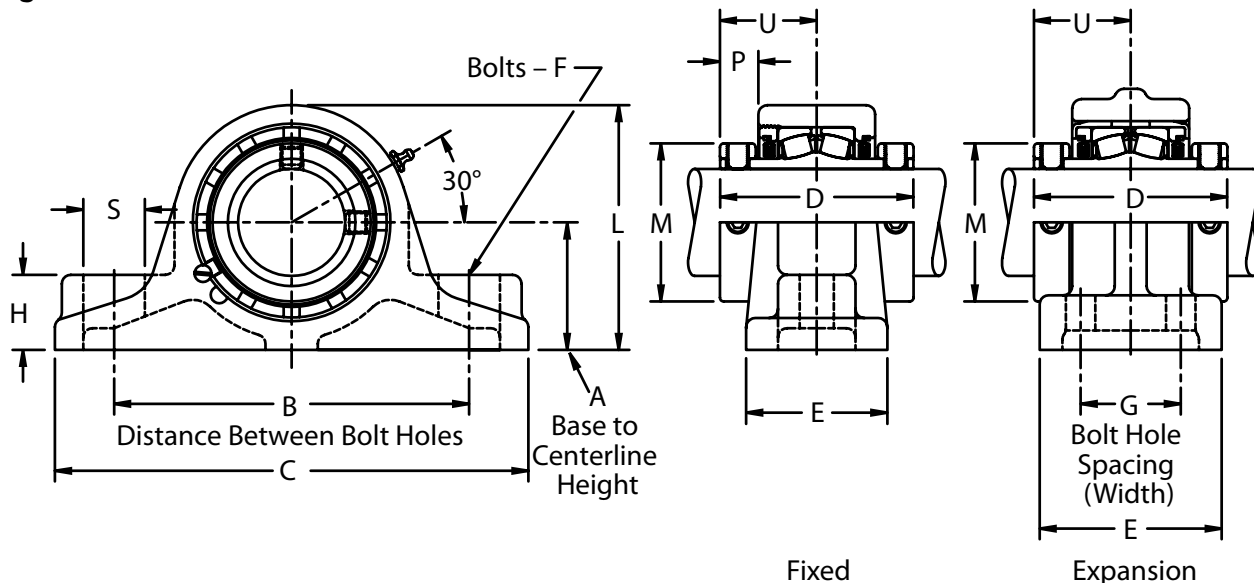
- Protects bearing against corrosive and abrasive elements

Barrel Shaped Roller Elements

- High speed and load capabilities



Nomenclature & Specifications
Bearing Dimensions



Link-Belt B22500 Series

Size Code	Shaft Diameter	Expansion		Fixed		A Base to Centerline Height	B Distance Between Bolt Holes	G Bolt Hole Spacing (Width)	C	D	E	F	H	M	P	S	U	Approx. Weight
		Part Number	L	Part Number	L													
Two-Bolt Pillow Block																		
B524	1 7/16	PEB22523H	4 11/32	PB22523H	3 31/32	2 1/8	5 7/8	-	8 1/8	3 9/16	2 7/16	1/2	1 1/8	2 5/16	11/16	1 1/8	1 25/32	10.00
B528	1 11/16	PEB22527H	4 13/16	PB22527H	4 7/16	2 5/16	6 1/2	-	9	3 13/16	2 13/16	1/2	1 5/16	2 19/32	23/32	1 1/4	1 29/32	12.00
B531	1 15/16	PEB22531H	4 15/16	PB22531H	4 3/4	2 1/2	7	-	9 3/4	3 13/16	2 7/8	5/8	1 7/16	2 7/8	23/32	1 1/4	1 29/32	14.00
B536	2	PEB22532H	5 23/32	PB22532H	5 1/4	2 3/4	7 1/2	-	10 1/4	4 1/8	3 1/8	5/8	1 5/8	3 1/4	25/32	1 1/4	2 1/16	21.00
	2 3/16	PEB22535H	5 23/32	PB22535H	5 1/4	2 3/4	7 1/2	-	10 1/4	4 1/8	3 1/8	5/8	1 5/8	3 1/4	25/32	1 1/4	2 1/16	20.00
B540	2 7/16	PEB22539H	6 3/16	PB22539H	5 3/4	3	8 1/4	-	11 1/4	4 3/8	3 3/8	3/4	1 3/4	3 9/16	13/16	1 3/8	2 3/16	24.00
B548	2 11/16	PEB22543H	7 3/16	PB22543H	6 23/32	3 1/2	9 3/4	-	13	4 7/8	3 7/8	7/8	2 1/16	4 1/16	29/32	1 5/8	2 7/16	39.00
	2 15/16	PEB22547H	7 3/16	PB22547H	6 23/32	3 1/2	9 3/4	-	13	4 7/8	3 7/8	7/8	2 1/16	4 1/16	29/32	1 5/8	2 7/16	37.00
Four-Bolt Pillow Block																		
B531	1 15/16	PEB22531FH	4 7/8	PB22531FH	4 7/8	2 1/2	7	2 1/4	9	3 13/16	3 13/16	1/2	1 11/16	2 7/8	23/32	7/8	1 29/32	16.00
B536	2	PEB22532FH	5 15/32	PB22532FH	5 15/32	2 3/4	7 1/2	2 1/4	9 15/16	4 1/8	4	1/2	2	3 1/4	25/32	1 1/8	2 1/16	22.00
	2 3/16	PEB22535FH	5 15/32	PB22535FH	5 15/32	2 3/4	7 1/2	2 1/4	9 15/16	4 1/8	4	1/2	2	3 1/4	25/32	1 1/8	2 1/16	22.00
B540	2 7/16	PEB22539FH	5 7/8	PB22539FH	5 7/8	3	8 5/8	2 5/8	10 5/8	4 3/8	4 3/8	1/2	2 1/8	3 9/16	13/16	1 1/8	2 3/16	26.00
B548	2 11/16	PEB22543FH	6 15/16	PB22543FH	6 15/16	3 1/2	9 3/4	2 3/4	12 5/8	4 7/8	4 3/4	5/8	2 5/16	4 1/16	29/32	1 1/2	2 7/16	38.00
	2 15/16	PEB22547FH	6 15/16	PB22547FH	6 15/16	3 1/2	9 3/4	2 3/4	12 5/8	4 7/8	4 3/4	5/8	2 5/16	4 1/16	29/32	1 1/2	2 7/16	36.00
B556	3 7/16	PEB22555FH	8	PB22555FH	8	4	11 1/2	3	14 1/4	5 5/16	5	3/4	2 1/2	4 29/32	15/16	1 1/2	2 21/32	56.00
B564	3 15/16	PEB22563FH	8 13/16	PB22563FH	8 13/16	4 7/16	12 1/4	3 3/8	15 5/8	6 1/8	5 5/8	7/8	2 7/8	5 5/8	1 1/16	1 13/16	3 1/16	76.00
	4	PEB22564FH	8 13/16	PB22564FH	8 13/16	4 7/16	12 1/4	3 3/8	15 5/8	6 1/8	5 5/8	7/8	2 7/8	5 5/8	1 1/16	1 13/16	3 1/16	76.00
B572	4 3/16	PEB22567YFH	9 3/8	PB22567YFH	9 3/8	4 3/4	13 1/2	2 1/2	16 1/2	6 1/4	4 5/8	3/4	2 3/4	6 3/16	1	1 3/8	3 1/8	92.00
	4 7/16	PEB22571YFH	9 3/8	PB22571YFH	9 3/8	4 3/4	13 1/2	2 1/2	16 1/2	6 1/4	4 5/8	3/4	2 3/4	6 3/16	1	1 3/8	3 1/8	88.00
	4 1/2	PEB22572YFH	9 3/8	PB22572YFH	9 3/8	4 3/4	13 1/2	2 1/2	16 1/2	6 1/4	4 5/8	3/4	2 3/4	6 3/16	1	1 3/8	3 1/8	87.00
	110.00	PEB225M110YFH	238.10	PB225M110YFH	238.10	120.65	342.90	63.50	419.10	158.75	117.48	20.00	69.80	157.16	25.40	34.90	79.37	40.70
B580	115.00	PEB225M115YFH	238.10	PB225M115YFH	238.10	120.65	342.90	63.50	419.10	158.75	117.48	20.00	69.80	157.16	25.40	34.90	79.37	39.50
B580	4 15/16	PEB22579YFH	11 1/8	PB22579YFH	11 1/8	5 1/2	15 1/2	2 3/4	18 1/2	7 7/8	5 9/16	7/8	3	7 1/16	1 5/32	1 1/2	3 15/16	129.00
	5	PEB22580YFH	11 1/8	PB22580YFH	11 1/8	5 1/2	15 1/2	2 3/4	18 1/2	7 7/8	5 9/16	7/8	3	7 1/16	1 5/32	1 1/2	3 15/16	128.00
	125.00	PEB225M125YFH	282.57	PB225M125YFH	282.57	139.70	393.70	69.80	469.90	200.02	141.34	24.00	76.20	179.38	29.37	38.10	100.01	58.10