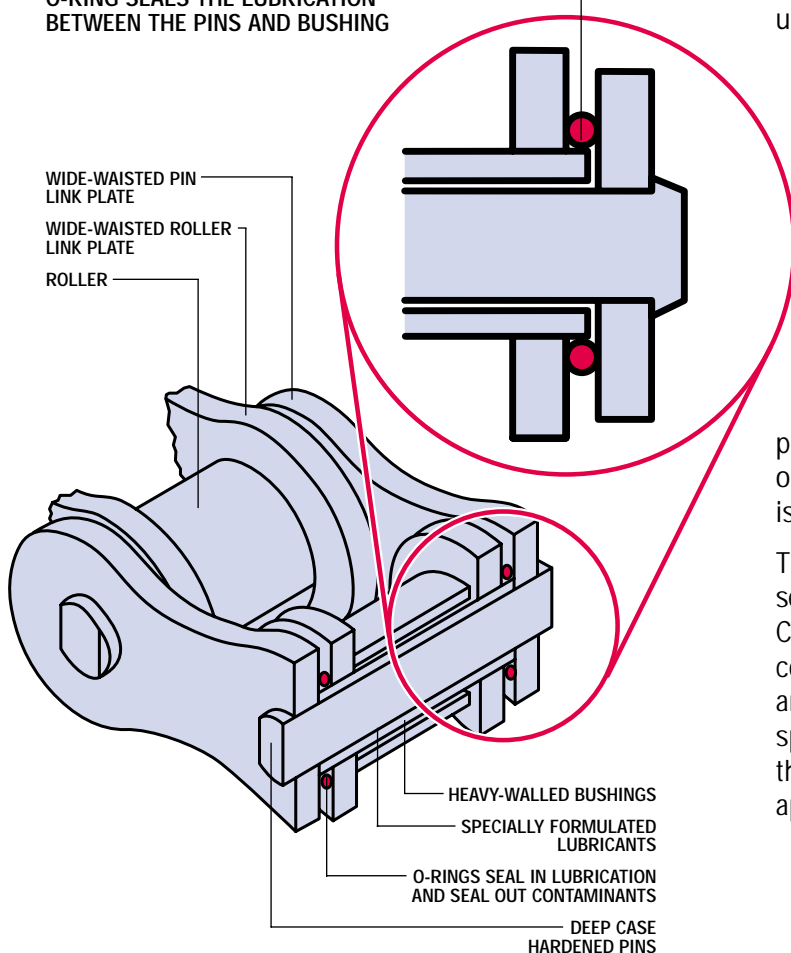


Link-Belt® Ultr-O-Life™ O-Ring Roller Chain

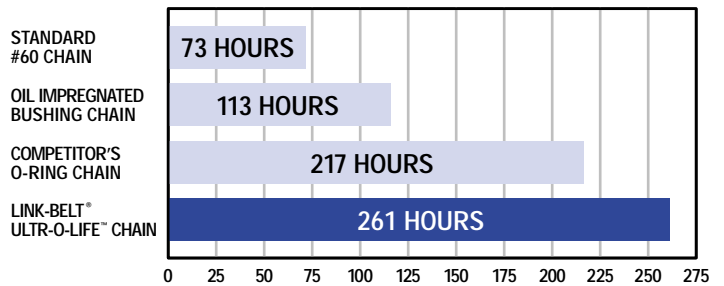
Superior Sealing and Self-Lubrication Extend Chain Life for Savings in Maintenance and Greater Productivity

No doubt you've seen it before: an application that quickly zaps the life out of conventional roller chains. It's common in applications where relubrication borders on the impossible; or in situations where the chain environment is full of contaminants, requiring frequent and costly labor-intensive maintenance. So for extraordinary applications such as these, Rexnord recommends an extraordinary chain – the Ultr-O-Life™ O-Ring Roller Chain, specially engineered for demanding applications.

O-RING SEALS THE LUBRICATION BETWEEN THE PINS AND BUSHING



Link-Belt® Ultr-O-Life™ Chain Lasts More Than Three Times Longer Than Standard Roller Chain



Up to 10 Times More Wear Life than Standard Roller Chain

As the name implies, the Ultr-O-Life™ O-Ring Roller Chain from Rexnord features specifically designed O-rings in each link. These rings seal in a specially formulated lubricant, virtually eliminating the need for relubrication. Plus the O-rings seal out dirt, moisture, and other contaminants, protecting internal pins and bushings, and offering the ultimate protection against accelerated wear.

The result is a virtually maintenance-free chain that lasts up to three times longer than conventional roller chain in severe duty applications, and up to ten times longer in less demanding applications.

The Right Choice for a Wide Range of Demanding Applications

The Ultr-O-Life's™ superior sealing and self-lubricating properties are ideally suited for many industrial applications. It's an excellent choice for food and paper applications where ordinary lubricants and lubrication procedures pose an unacceptable contamination risk or equipment wash-down procedures prohibit lubrication effectiveness. In fact, wherever moisture or abrasives are present, the Ultr-O-Life™ O-Ring Roller Chain is a superior choice.

The Ultr-O-Life™ O-Ring Roller Chain seals in lubrication and seals out contaminants. So use the Ultr-O-Life™ O-Ring Roller Chain wherever dirt, mud, moisture or other destructive contaminants penetrate ordinary lubricants to damage pins and bushings. Plus, Ultr-O-Life™ O-ring seals have been specially designed to trap pre-lube in the joint. That makes the Ultr-O-Life™ O-Ring Roller Chain the first choice for applications where relubrication is next to impossible.