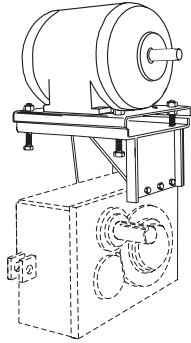
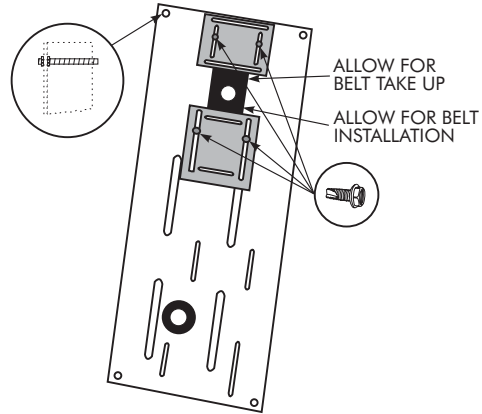


# OSHA V-Belt Guard Installation For Drives Without Shaft Fan

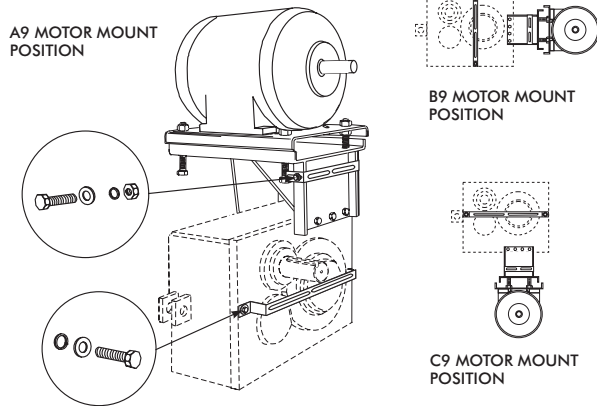
1. ASSEMBLE MOTOR MOUNT AND MOTOR TO DRIVE AS INSTRUCTED IN OWNERS MANUAL 378-206, APPENDIX D



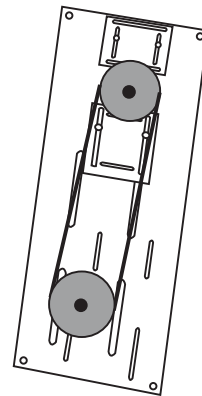
4. ASSEMBLE THREADED RODS TO BACKPLATE & MOUNT SLOT COVER(S) AS REQUIRED



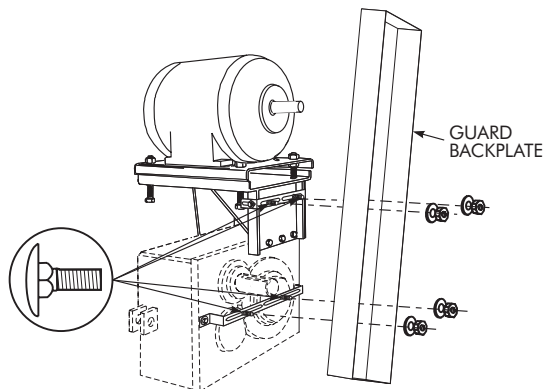
2. ASSEMBLE BELT GUARD BRACKETS TO MOTOR MOUNT



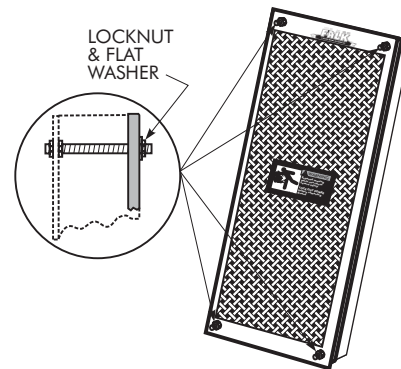
5. MOUNT BELT DRIVE AS INSTRUCTED IN OWNERS MANUAL 378-206, APPENDIX D



3. ASSEMBLE BACKPLATE TO BRACKETS



6. MOUNT COVER AND APPLY WARNING LABEL

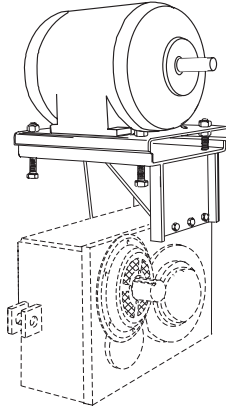


## OSHA V-Belt Guard Installation For Drives With Shaft Fan

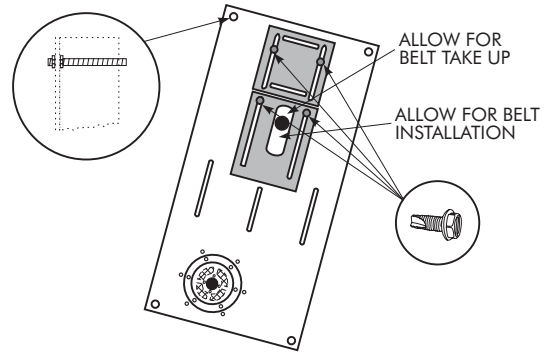
**WARNING:** Consult applicable local and national safety codes for proper guarding of rotating members.

Lock out power source and remove all external loads from drive before servicing drive or accessories.

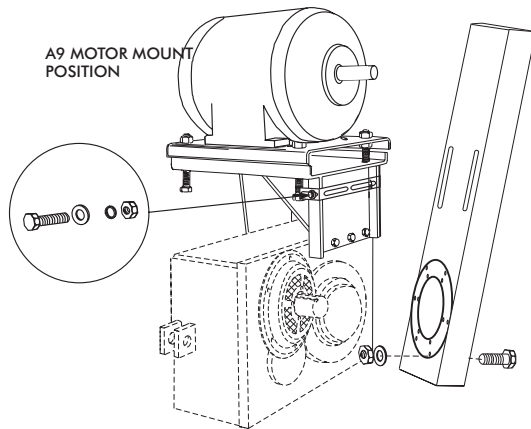
1. ASSEMBLE MOTOR MOUNT AND MOTOR TO DRIVE AS INSTRUCTED IN OWNERS MANUAL 378-206, APPENDIX D



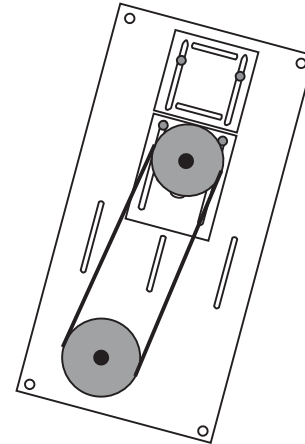
4. ASSEMBLE THREADED RODS TO BACKPLATE & MOUNT SLOT COVER(S) AS REQUIRED



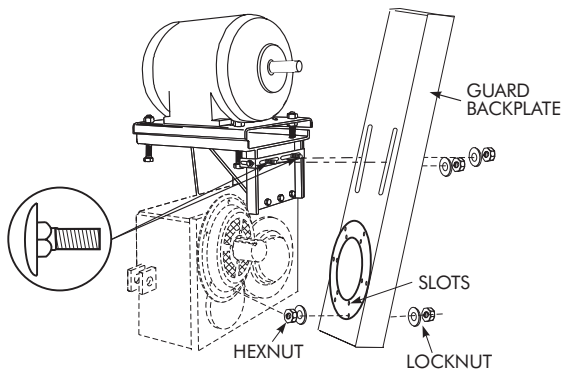
2. ASSEMBLE GUARD MOUNTING BRACKET & ADAPTER TO GUARD BACKPLATE



5. MOUNT BELT DRIVE AS INSTRUCTED IN APPENDIX D



3. ASSEMBLE BACKPLATE WITH ADAPTER TO SHROUD



6. MOUNT COVER

