

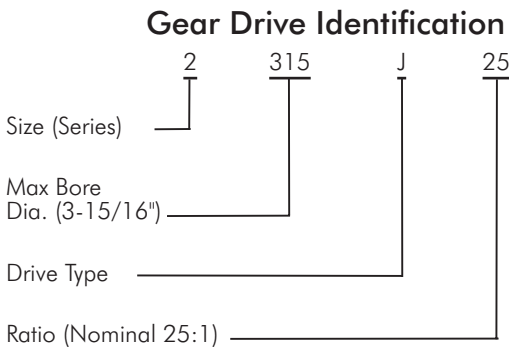
## Introduction

This parts guide is designed to assist in ordering replacement parts for obsolete gear drives (Types J, JF, JSC, JV, JFV or JSCV).

Parts are **NO LONGER AVAILABLE** for the following Sizes: 107, 115, 203, 207, 215, 307, 315, 407, 415, 507, 600, 1107, 1115, 1203, 1207, 1215, 1307 & 2507.

SOME parts are AVAILABLE for the following drives: Sizes 2315, 2407 & 2415, Types J, JF & JSC, 25:1 Ratio.

- IDENTIFY DRIVE** — Record Drive Model Number from nameplate.



- IDENTIFY INDIVIDUAL PARTS** — Use exploded view on Page 2 to determine Ref. No. of required parts.
- PREPARE ORDER INFORMATION** — Refer to Table 3 on Page 3. Use the drive Model No. (Step 1) and the Part Ref. No. (Step 2) to determine the part description and Falk Part Number. Use this information to order the required parts.
- ORDER PLACEMENT** — Place your order with your local Rexnord-Falk Distributor. If you need to locate a distributor, phone the number below.

## Bearing & Seal Data

Tables 1 & 2 at right convert Falk part numbers to bearing and seal manufacturer's part numbers.

## Corrosion Protection & Storage

**CAUTION:** Follow guidelines below to avoid damage to parts.

- For domestic or indoor storage, Factory provides standard 24 month protection as boxed or optional 24 month protection for individual parts.
- For export or outdoor storage, Factory provides optional 18 month protection.

**CAUTION:** This protection does not cover exposure to elements such as standing water, etc.

**TABLE 1 — Seal Cross Reference Numbers**

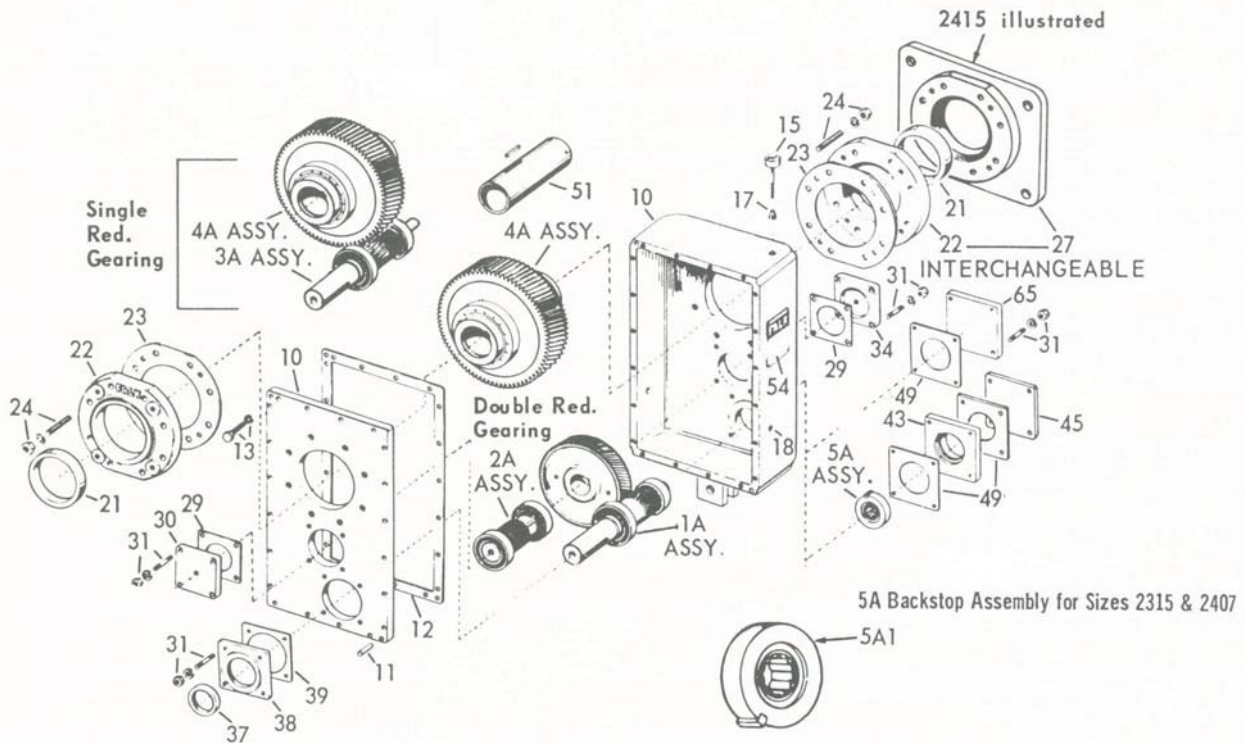
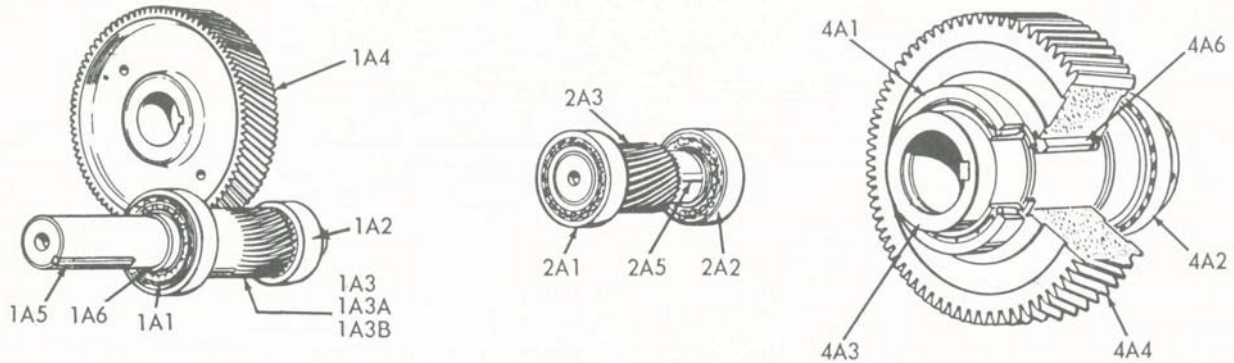
Falk Part Number	Manufacturer's Number	
	Chicago Rawhide	National
0912680	25074	486273
0912742	70080	477436
0912754	22440	482636
0912759	32393	476470
0912763	54960	...

**TABLE 2 — Bearing Cross Reference Numbers**

Falk Part Number	Manufacturer's Number
<b>Ball &amp; Cylindrical</b>	
0919660	SKF6313NR/C3
0919925	SKF6312NR/C3
0920532	ROLLWAY U1307B
0920671	ROLLWAY U5208B
<b>Tapered Roller</b>	
0921365	36690/36620
0921388	65200/65500
0921434	HM807049/HM807010
0921630	HM804848/HM804810
0921751	JH217249/JH217210
0921753	JH211749/JH211710
0921755	JM736149/JM736110
0921762	JHM807045/JHM807012

## Parts Diagram — Sizes 2315, 2407 & 2415

Refer to Table 3 on Page 3 for Available Parts



**TABLE 3 — Falk Part Numbers (Sizes 2315, 2407 & 2415)**

Ref. No.	Part Description	Size 2315	Size 2407	Size 2415
		25:1 Ratio Types J, JF & JSC	25:1 Ratio Types J, JF & JSC	25:1 Ratio Types J & JF
		Models A, B or C		Model B
21	Seal	0912763	0912763	0912742
22	Seal Case	0331018	0331018	0336889
37	Seal	0912754	0912680	0912759
38	Seal Cage	0331017	0336888	1206620
43	Backstop Case	1202259	1202259	...
45	Shaft Cover	0291117	0291117	...
100	Shim-Gasket Kit	0728297	0728298	0706021
1A	Shaft Assembly - Includes 1A1 thru 1A6 With 1A3	...	...	0728354
	With 1A3A	0728282	0728325	...
	Above Without 1A4	0728283	0728326	0728355
1A1	Bearina	0919925	0919660	0921751
1A2	Bearina	0920532	0920671	0921388
1A3	Pinion & Shaft - Includes 1A5	...	...	4723228
1A3A	Pinion & Shaft - Includes 1A5 & 1A6	4723224	4723226	...
1A4	Gear	1202240	1202320	1202624
2A	Shaft Assembly - Includes 2A1 thru 2A5	0728284	0728327	0728358
2A1	Bearina	0921434	0921762	0921753
2A2	Bearing	0921630	0921762	0921753
2A3	Pinion & Shaft - Includes 2A5	4723225	4723227	4723229
4A	Shaft Assembly - Includes 4A1 thru 4A6	0729629	0729671	0729693
4A1	Bearina	0921365	0921365	0921755
4A2	Bearing	0921365	0921365	0921755
4A3	Hollow Shaft	0729630	0729672	4723230
4A4	Gear	1202236	1202313	1202622
5A1	Backstop	0910000	0910000	...