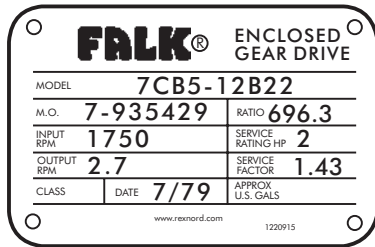


### Introduction

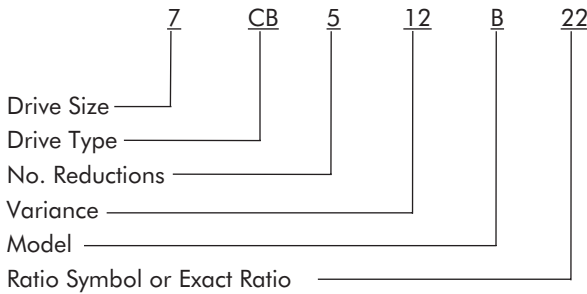
This parts guide is designed to assist in ordering replacements parts for standard Type "EBZ" and "CB" quintuple reduction Motoreducers and Speed Reducers, Size 7. Consult Factory for Type "EBF" and special or modified units.

1. IDENTIFY DRIVE — Record Drive Model, Ratio and M.O. Number from nameplate.

### Sample Nameplate



### Gear Drive Identification

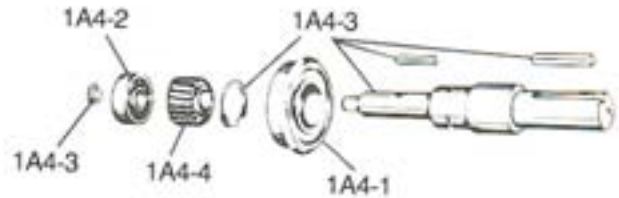


### Variances

The primary variances for these units are low speed helical gear width (wide or narrow) and drives with backstops.

2. IDENTIFY INDIVIDUAL PARTS — Use exploded view on Pages 2 & 3 and Part Descriptions on Page 4 to determine Ref. No. Of required parts.

Ref. No.	Part Description
1A4-1	Bearing
1A4-2	Bearing
1A4-3	Shaft
1A4-4	Pinion



**NOTE:** Replace seals, shims, and gaskets whenever reassembling a drive. Shim-gaskets and fasteners are available only in kits as shown below.

SHIMS & GASKETS — See Kit Ref 109

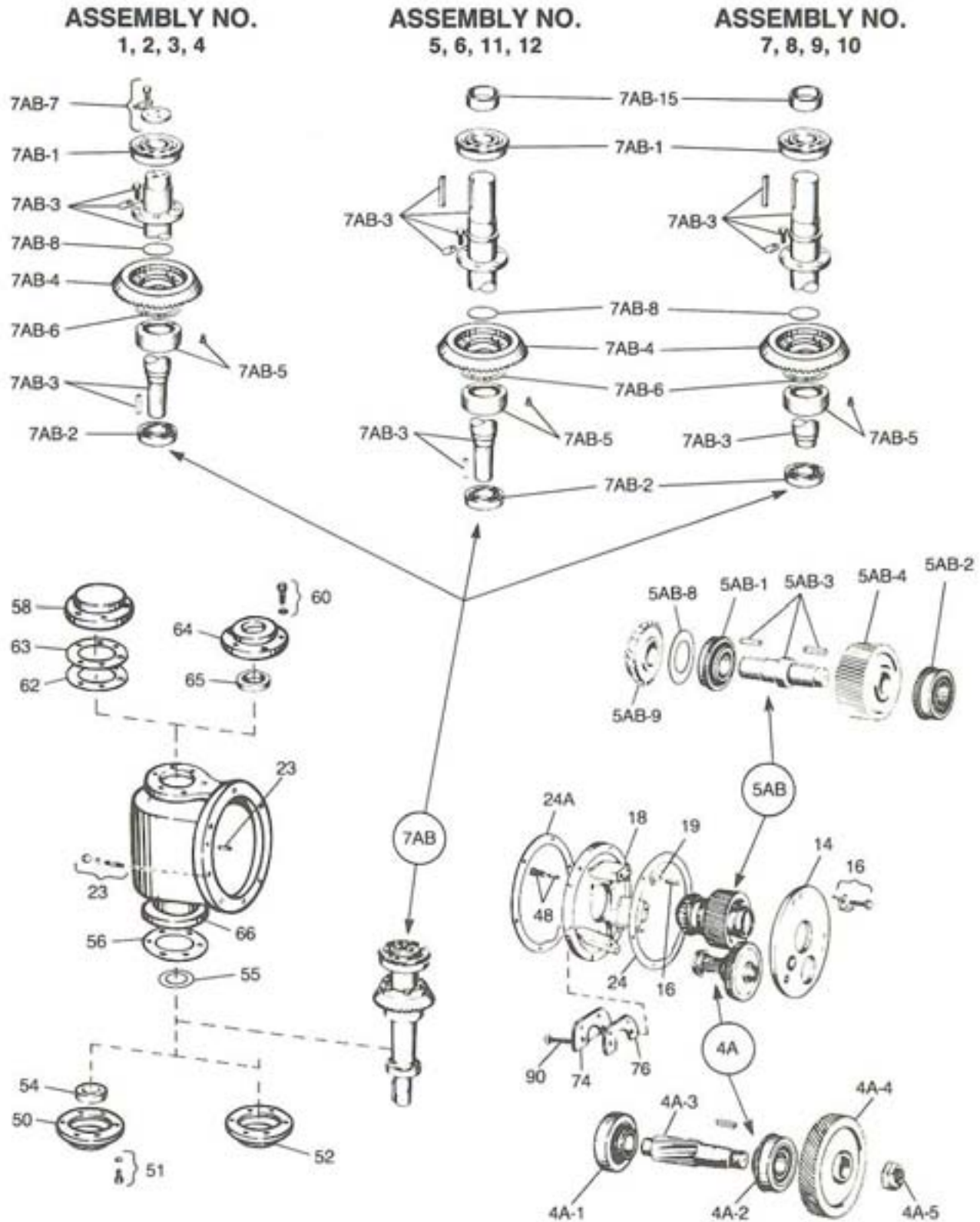
FASTENERS — See Kit Ref 123

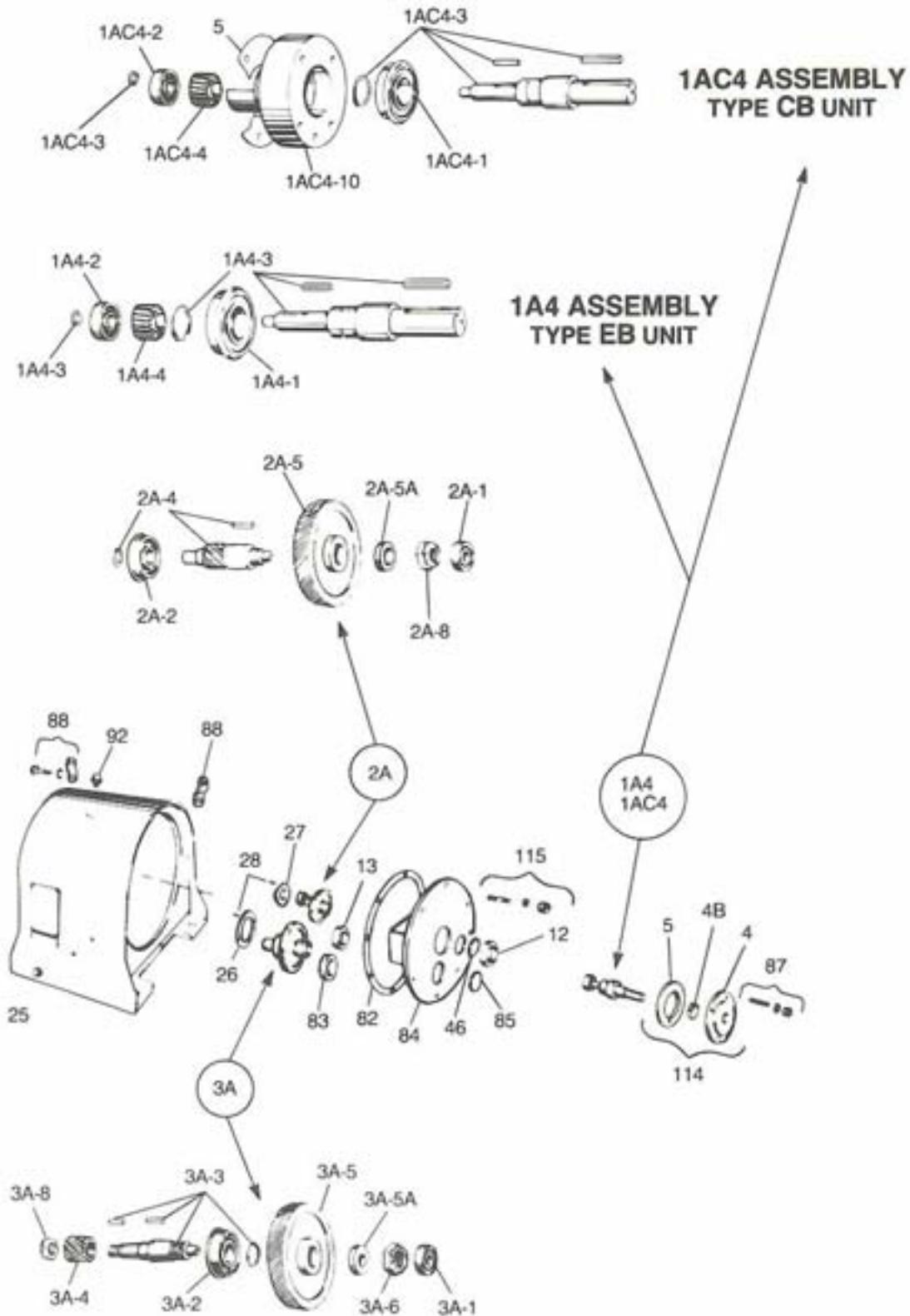
### Corrosion Protection & Storage

**CAUTION:** Follow guidelines below to avoid damage to parts.

1. For domestic or indoor storage, Factory provides standard 24 month protection as boxed or optional 24 month protection for individual parts.
2. For export or outdoor storage, Factory provides optional 18 month protection.

**CAUTION:** This protection does not cover exposure to elements such as standing water, etc.





Ref. No.	Description
4	Seal Cage, Replace with Ref 114
4B	Seal
12	Bearing Cage
13	Bearing Cage
14/18	Head & Bearing Plate, Incls Ref 16 & 48
26	Thrust Plate
27	Thrust Plate
46	Expansion Plug
48	Oil Wiper Kit
50	Seal Cage (Size 7 Model A, Replace with Ref 150)
52	End Cover
54	Seal (Size 7 Model A, Replace with Ref 150)
55	Shield
58	End Cover
64	Seal Cage
65	Seal
66	Bevel Housing, Incls Ref 55
74	Thrust Plate
83	Bearing Cage
84	Head
85	Expansion Plug
88	Lifting Lug Kit
92	Air Vent
109	Shim-Gasket Kit Incls Ref 5, 19, 24, 24A, 56, 62, 63, 76, 82, 5AB-8, 7AB-6
114	Seal Cage Assembly, Incls Ref 4, 4B & 5
123	Fastener Kit, Incls Ref 16, 23, 28, 51, 60, 87, 90 & 115
150	Seal Cage Assembly, Replaces Ref 50 & 54
<b>1A4</b>	<b>Shaft Assembly, Incls Ref 1A4-1 thru 1A4-4</b>
1A4-1	Bearing
1A4-2	Bearing
1A4-3	Shaft
1A4-4	Pinion
<b>1AC4</b>	<b>Shaft Assembly, Incls Ref 1AC4-1 thru 1AC4-10</b>
1AC4-1	Bearing
1AC4-2	Bearing
1AC4-3	Shaft
1AC4-4	Pinion
1AC4-10	Bearing Cage
<b>2A</b>	<b>Shaft Assembly, Incls Ref 2A-1 thru 2A-8</b>
2A-1	Bearing
2A-2	Bearing
2A-4	Pinion & Shaft
2A-5	Gear
2A-5A	Spacer
2A-8	Locknut

Ref. No.	Description
<b>3A</b>	<b>Shaft Assembly, Incls Ref 3A-1 thru 3A-8</b>
3A-1	Bearing
3A-2	Bearing
3A-3	Shaft
3A-4	Pinion
3A-5	Gear
3A-5A	Spacer
3A-6	Locknut
3A-8	Locknut
<b>4A</b>	<b>Shaft Assembly, Incls Ref 4A-1 thru 4A-5</b>
4A-1	Bearing
4A-2	Bearing
4A-3	Pinion & Shaft
4A-4	Gear
4A-5	Locknut
<b>5AB</b>	<b>Shaft Assembly, Excludes Ref 5AB-9</b>
5AB-1	Bearing
5AB-2	Bearing
5AB-3	Shaft
5AB-4	Gear
5AB-8	Shim, Included with Ref 109
5AB-9	Bevel Pinion, Replace with Ref 6AB
<b>6AB</b>	<b>Bevel Pinion/Gear Set</b>
<b>7AB</b>	<b>Shaft Assembly, Excludes Ref 7AB-4</b>
7AB-1	Bearing
7AB-2	Bearing
7AB-3	Shaft
7AB-4	Gear, Replace with Ref 6AB
7AB-5	Baffle
7AB-6	Gasket, Included with Ref 109
7AB-7	Keeper Plate
7AB-8	Seal Ring
7AB-15	Seal Sleeve