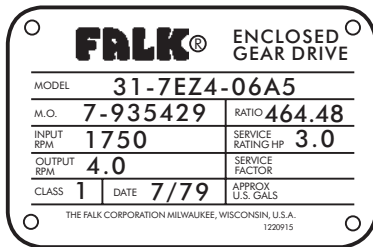


## Introduction

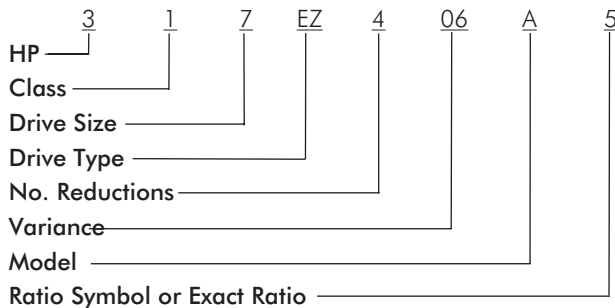
This parts guide is designed to assist in ordering replacements parts for standard Type "EZ" and "C" quadruple reduction Motoreducers and Speed Reducers, Sizes 7, 75, & 8. Consult Factory for Type "EF," "EZ," "EFX" and special or modified drives.

- IDENTIFY DRIVE** — Record Drive Model, Ratio, and M.O. Number from nameplate.

### Sample Nameplate



### Gear Drive Identification

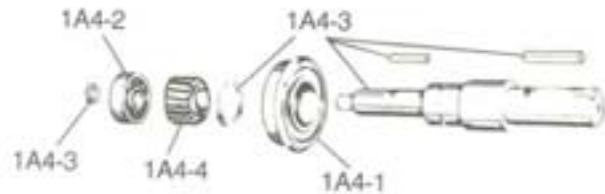


## Variations

The primary variations for these drives are low speed helical gear width (wide or narrow) and drives with backstops.

- IDENTIFY INDIVIDUAL PARTS** — Use exploded view on Pages 2 & 3 to determine Ref. No. of required parts.

Ref. No.	Part Description
1A4-1	Bearing
1A4-2	Bearing
1A4-3	Shaft
1A4-4	Pinion



**NOTE:** Replace seals, shims, and gaskets whenever reassembling a drive. Shim-gaskets and fasteners are available only in kits as shown below.

**SHIMS & GASKETS** — See Kit Ref 107 & 117

**FASTENERS** — See Kit Ref 112 & 113

## Corrosion Protection & Storage

**CAUTION:** Follow guidelines below to avoid damage to parts.

- For domestic or indoor storage, Factory provides standard 24 month protection as boxed or optional 24 month protection for individual parts.
- For export or outdoor storage, Factory provides optional 18 month protection.

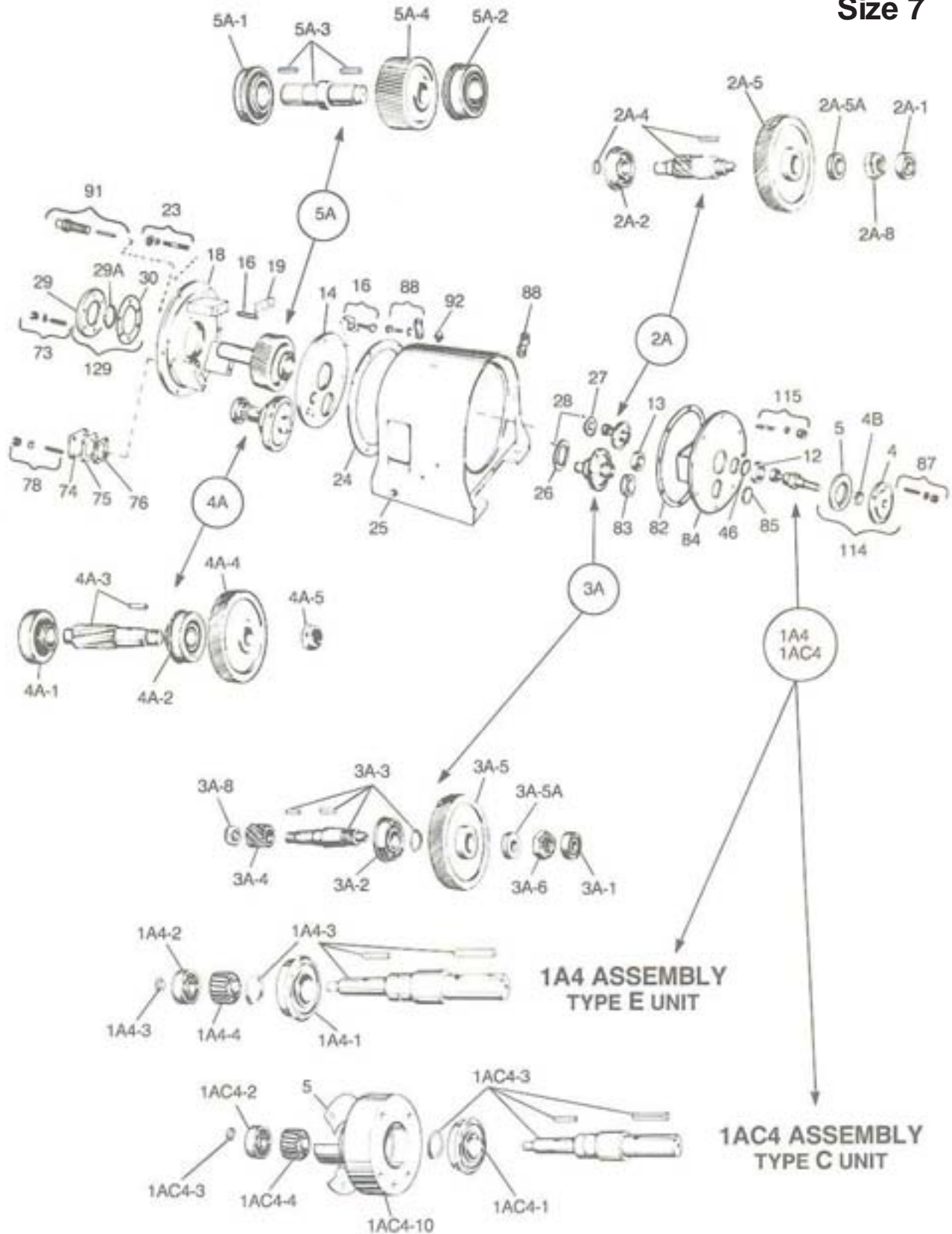
**CAUTION:** This protection does not cover exposure to elements such as standing water, etc.

Ref. No.	Description
4	Seal Cage, Replace with Ref 114
4B	Seal
12	Bearing Cage
13	Bearing Cage
14/18	Head & Bearing Plate, Incls Ref 15 & 16
26	Thrust Plate
27	Thrust Plate
29	Seal Cage, Replace with Ref 129
29A	Seal
46	Expansion Plug
74	Thrust Plate
83	Bearing Cage
84	Head
85	Expansion Plug
88	Lifting Lug Kit
91	Oil Wiper Kit
92	Air Vent
93/100	Head & Bearing Plate
97	Shaft Cover
103	Expansion Plug
107	Shim Gasket Kit, Incls Ref 5, 19, 24, 30, 75, 76 & 82 (Size 7)
117	Shim Gasket Kit, Incls Ref 5, 19, 24, 30, 75, 76, 82, 96, 99 & 102 (Size 75C, 8)
112	Fastener Kit, Incls Ref 16, 23, 28, 73, 78, 87 & 115 (Size 7)
113	Fastener Kit, Incls Ref 16, 23, 73, 78, 87, 95, 98, 104 & 115 (Size 75C, 8)
114	Seal Cage Assembly, Incls Ref 4, 4B & 5
120	Backstop, was Ref 1AS2-20, 21 or 3A-11
129	Seal Cage Assembly Incls Ref 29, 29A & 30

Ref. No.	Description
1A4	<b>Shaft Assembly</b> Incls Ref 1A4-1 thru 1A4-4
1A4-1	Bearing
1A4-2	Bearing
1A4-3	Shaft
1A4-4	Pinion
1A4-4	Pinion & Shaft (Size 8)
1AC4	<b>Shaft Assembly</b> Incls Ref 1AC4-1 thru 1AC4-10
1AC4-1	Bearing
1AC4-2	Bearing
1AC4-3	Shaft
1AC4-4	Pinion
1AC4-10	Bearing Cage
2A	<b>Shaft Assembly</b> Incls Ref 2A-1 thru 2A-8
2A-1	Bearing
2A-2	Bearing
2A-4	Pinion & Shaft
2A-5	Gear
2A-5A	Spacer
2A-8	Locknut

Ref. No.	Description
3A	<b>Shaft Assembly</b> Incls Ref 3A-1 thru 3A-8
3A-1	Bearing
3A-2	Bearing
3A-3	Shaft
3A-4	Pinion
3A-4	Pinion & Shaft (Size 75 & 8)
3A-5	Gear
3A-5A	Spacer
3A-6	Locknut
3A-8	Locknut
4A	<b>Shaft Assembly</b> Incls Ref 4A-1 thru 4A-7
4A-1	Bearing
4A-2	Bearing
4A-3	Pinion & Shaft
4A-4	Gear
4A-5	Locknut
4A-7	Keeper Plate Kit (Size 8)
5A	<b>Shaft Assembly</b> Incls Ref 5A-1 thru 5A-4
5A-1	Bearing
5A-2	Bearing
5A-3	Shaft
5A-4	Gear

Size 7



## Sizes 75 & 8

