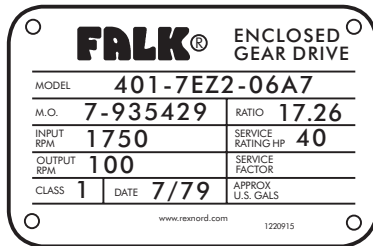


## Introduction

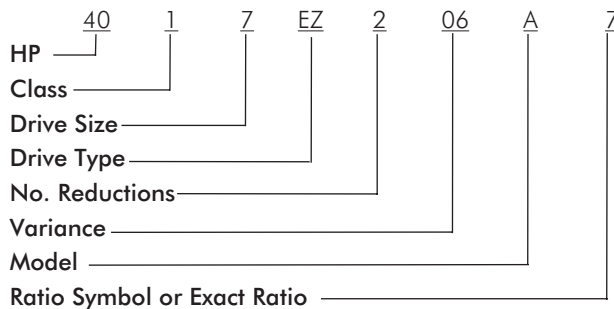
This parts guide is designed to assist in ordering replacements parts for standard Type "EZ" and "C" double reduction Motoreducers and Speed Reducers, Sizes 7, 75 & 8. Consult Factory for Type "EZ" and special or modified drives.

1. **IDENTIFY DRIVE** — Record Drive Model, Ratio, and M.O. Number from nameplate.

### Sample Nameplate



### Gear Drive Identification



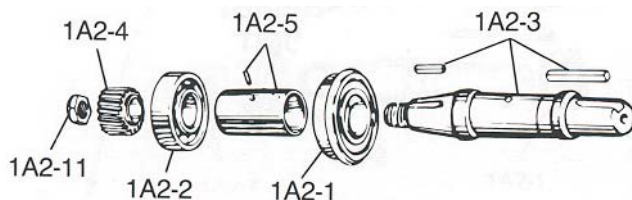
## Variations

The primary variations for these drives are low speed helical gear width (wide or narrow) and drives with backstops.

### 2. IDENTIFY INDIVIDUAL PARTS —

Use exploded view on Pages 2 & 3 to determine Ref. No. of required parts.

Ref. No.	Part Description
1A2-1	Bearing
1A2-2	Bearing
1A2-3	Shaft
1A2-4	Pinion
1A2-5	Spacer
1A2-11	Locknut



**NOTE:** Replace seals, shims, and gaskets whenever reassembling a drive. Shim-gaskets and fasteners are available only in kits as shown below.

**SHIMS & GASKETS** — See Kit Ref 107

**FASTENERS** — See Kit Ref 112 & 113

## Corrosion Protection & Storage

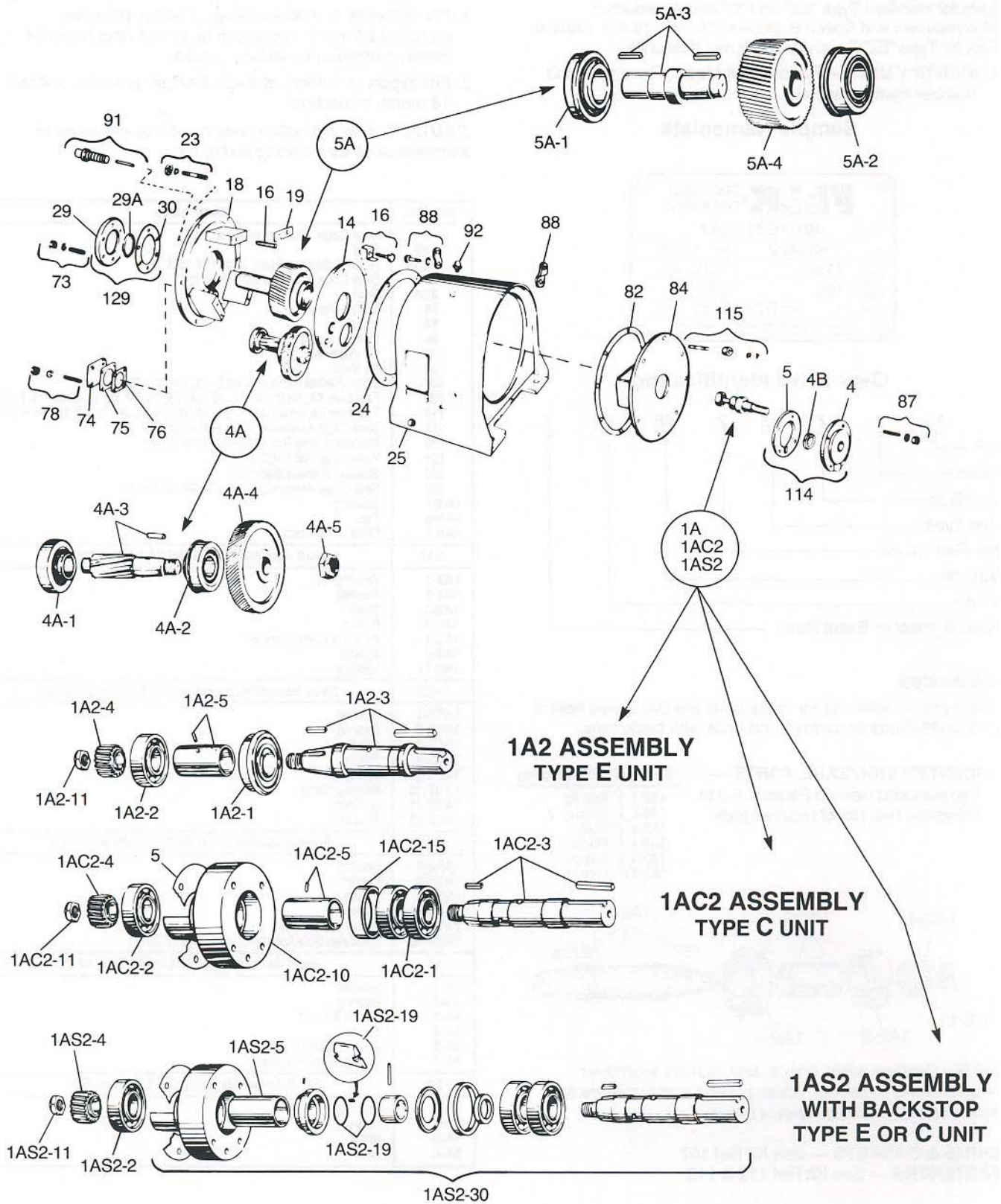
**CAUTION:** Follow guidelines below to avoid damage to parts.

1. For domestic or indoor storage, Factory provides standard 24 month protection as boxed or optional 24 month protection for individual parts.
2. For export or outdoor storage, Factory provides optional 18 month protection.

**CAUTION:** This protection does not cover exposure to elements such as standing water, etc.

Ref. No.	Description
4	Seal Cage, Replace with Ref 114
4B	Seal
14/18	Head & Bearing Plate, Incls Ref 15 & 16
29	Seal Cage, Replace with Ref 129
29A	Seal
74	Thrust Plate
84	Head
88	Lifting Lug Kit
91	Oil Wiper Kit
92	Air Vent
107	Shim Gasket Kit, Incls Ref 5, 19, 24, 30, 75, 76 & 82
112	Fastener Kit, Incls Ref 16, 23, 28, 73, 78, 87 & 115 (Size 7 & 75C)
113	Fastener Kit, Incls Ref 16, 23, 73, 78, 87, 95, 98, 104 & 115 (Size 8)
114	Seal Cage Assembly, Incls Ref 4, 4B & 5
120	Backstop, was Ref 1AS2-20, 21 or 3A-11
121	Yoke, was Ref 1AS2-21
122	Spacer, Without Backstop
129	Seal Cage Assembly, Incls Ref 29, 29A & 30
1AN-1	Bushing
1AN-5	Fan
1AN-7	Shroud Assembly
<b>1A2</b>	<b>Shaft Assembly, Incls Ref 1A2-1 thru 1A2-11</b>
1A2-1	Bearing
1A2-2	Bearing
1A2-3	Shaft
1A2-4	Pinion
1A2-4	Pinion & Shaft (Size 8)
1A2-5	Spacer
1A2-11	Locknut
<b>1AC2</b>	<b>Shaft Assembly, Incls Ref 1AC2-1 thru 1AC2-15</b>
1AC2-1	Bearing
1AC2-2	Bearing
1AC2-3	Shaft
1AC2-4	Pinion
1AC2-5	Spacer
1AC2-10	Bearing Cage
1AC2-11	Locknut
1AC2-15	Spacer
<b>1AS2</b>	<b>Shaft Assembly, Incls Ref 1AS2-30 Backstop</b>
1AS2-2	Bearing
1AS2-4	Pinion
1AS2-5	Spacer
1AS2-11	Locknut
1AS2-19	Sprag & Spring Kit
1AS2-30	Backstop Sub-Assembly, Incls Ref 1AS2-19
<b>4A</b>	<b>Shaft Assembly, Incls Ref 4A-1 thru 4A-7</b>
4A-1	Bearing
4A-2	Bearing
4A-3	Pinion & Shaft
4A-4	Gear
4A-5	Locknut (Size 7 & 75)
4A-7	Keeper Plate Kit (Size 8)
<b>5A</b>	<b>Shaft Assembly, Incls Ref 5A-1 thru 5A-4</b>
5A-1	Bearing
5A-2	Bearing
5A-3	Shaft
5A-4	Gear

Sizes 7 & 75



# Size 8

