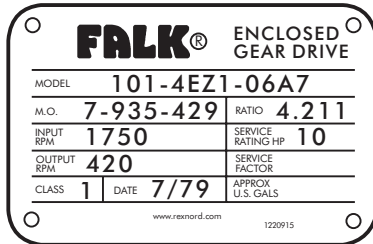


Introduction

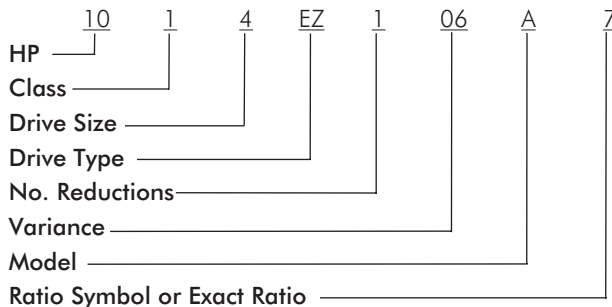
This parts guide is designed to assist in ordering replacements parts for standard Type "EZ" and "C" single reduction Motoreducers and Speed Reducers, Sizes 2 thru 6. Consult Factory for special or modified drives.

- IDENTIFY DRIVE** — Record Drive Model, Ratio and M.O. Number from nameplate.

Sample Nameplate



Gear Drive Identification



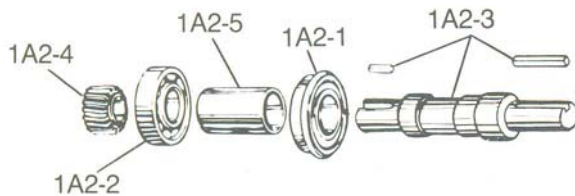
Variations

The primary variations for these drives are low speed helical gear width (wide or narrow) and drives with backstops.

2. IDENTIFY INDIVIDUAL PARTS —

Use exploded view on Page 2 to determine Ref. No. of required parts.

Ref. No.	Part Description
1A2-1	Bearing
1A2-2	Bearing
1A2-3	Shaft
1A2-4	Pinion
1A2-5	Spacer



NOTE: Replace seals, shims, and gaskets whenever reassembling a drive. Shim-gaskets and fasteners are available only in kits as shown below.

SHIMS & GASKETS — See Kit Ref 106

FASTENERS — See Kit Ref 110

Corrosion Protection & Storage

CAUTION: Follow guidelines below to avoid damage to parts.

- For domestic or indoor storage, Factory provides standard 24 month protection as boxed or optional 24 month protection for individual parts.
- For export or outdoor storage, Factory provides optional 18 month protection.

CAUTION: This protection does not cover exposure to elements such as standing water, etc.

Ref. No.	Description
4	Seal Cage, Replace with Ref 114
4B	Seal
14/18	Head & Bearing Plate, Incls Ref 20
29	Seal Cage, Replace with Ref 129
29A	Seal
40	Thrust Plate
46	Expansion Plug
89	Vent Plug
106	Shim Gasket Kit, Incls Ref 5, 19, 24, 30 & 41
110	Fastener Kit, Incls Ref 6, 20, 23, 28 & 31
114	Seal Cage Assembly, Incls Ref 4, 4B & 5
129	Seal Cage Assembly, Incls Ref 29, 29A & 30
1A2	Shaft Assembly, Incls Ref 1A2-1 thru 1A2-8
1A2-1	Bearing
1A2-2	Bearing
1A2-3	Shaft
1A2-4	Pinion
1A2-5	Spacer
1A2-8	Spacer (Sizes 2 & 3)
1AC2	Shaft Assembly, Incls Ref 1AC2-1 thru 1AC2-11
1AC2-1	Bearing
1AC2-2	Bearing
1AC2-3	Shaft
1AC2-4	Pinion
1AC2-5	Spacer
1AC2-10	Bearing Cage
1AC2-11	Locknut
1AS2	Shaft Assembly, Incls Ref 1AS2-30 Backstop
1AS2-2	Bearing
1AS2-4	Pinion
1AS2-5	Spacer
1AS2-11	Locknut
1AS2-19	Sprag & Spring Kit
1AS2-30	Backstop Sub-Assembly, Incls Ref 1AS2-19
8A	Shaft Assembly, Incls Ref 8A-1 thru 8A-7
8A-1	Bearing
8A-2	Bearing
8A-3	Shaft
8A-4	Gear
8A-4A	Spacer
8A-7	Locknut

