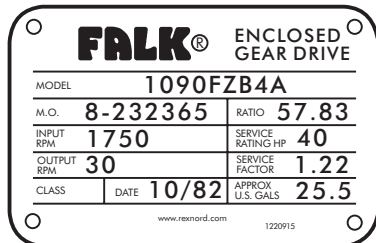


## Introduction

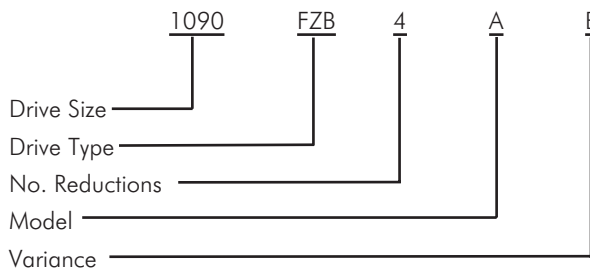
This parts guide is designed to assist in ordering replacements parts for standard gear drives. Consult Factory for special or modified drives.

- IDENTIFY DRIVE** — Record Drive Model, Ratio and M.O. Number from nameplate.

### Sample Nameplate



### Gear Drive Identification

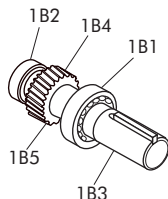


### Variance Definitions

Blank = Standard Drive  
 B = Unit equipped With Fan  
 S = Special — Refer to Factory

- IDENTIFY INDIVIDUAL PARTS** — Use exploded view on Pages 2 & 3 to determine Ref. No. of required parts.

#### 1B ASSEMBLY



Ref. No.	Part Description
1B1	Bearing
1B2	Bearing
1B3	Shaft
1B4	Pinion
1B5	Spacer

**NOTE:** Replace seals, shims, and gaskets whenever reassembling a drive. Shim-gaskets and fasteners are available only in kits as shown below.

SHIMS & GASKETS — See Kit Ref. No. 100  
 FASTENERS — See Kit Ref. No. 130

### Corrosion Protection and Storage

**CAUTION:** Follow guidelines below to avoid damage to parts.

- For domestic or indoor storage, Factory provides standard 24 month protection as boxed or optional 24 month

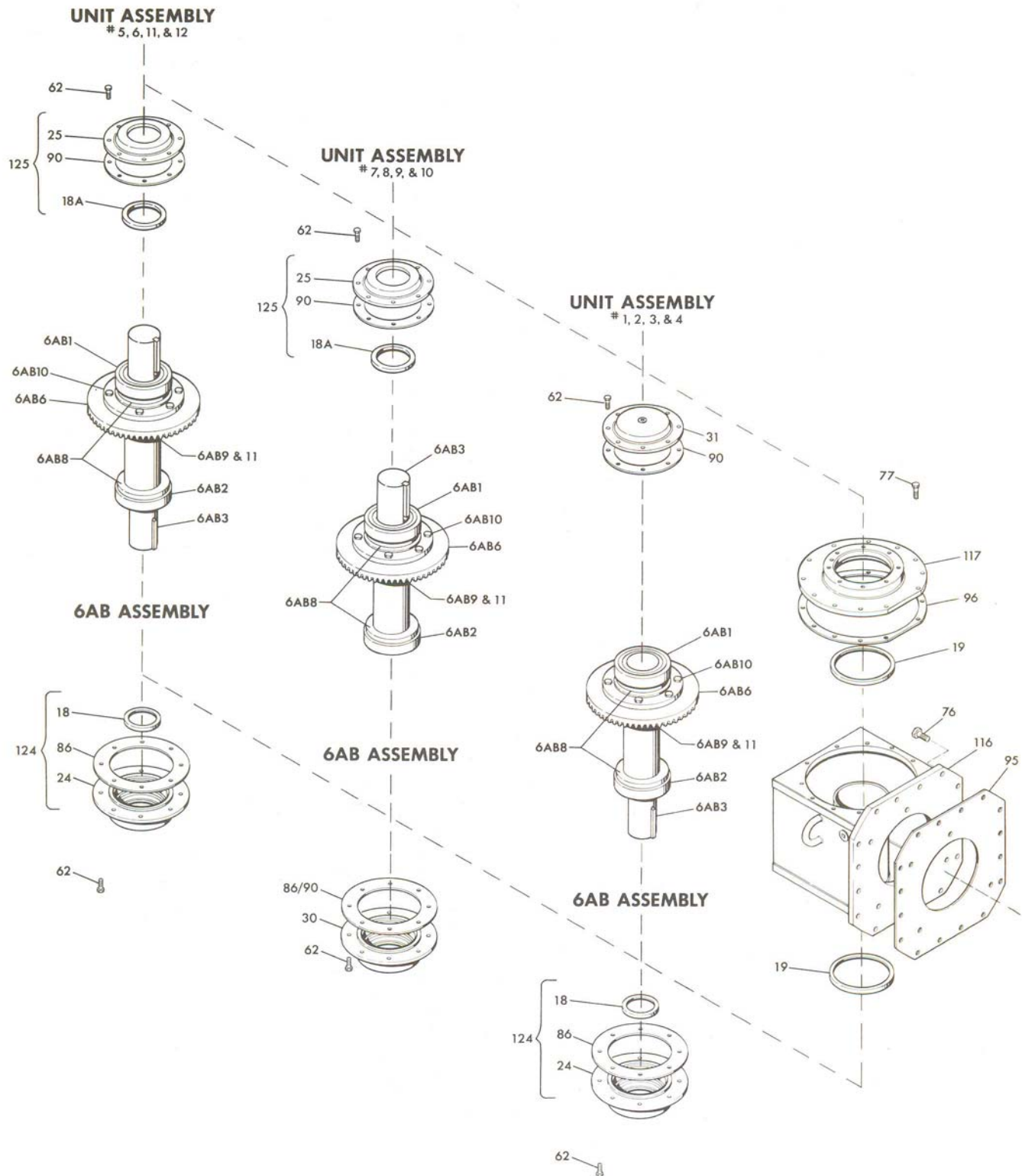
protection for individual parts.

- For export or outdoor storage, Factory provides optional 18 month protection.

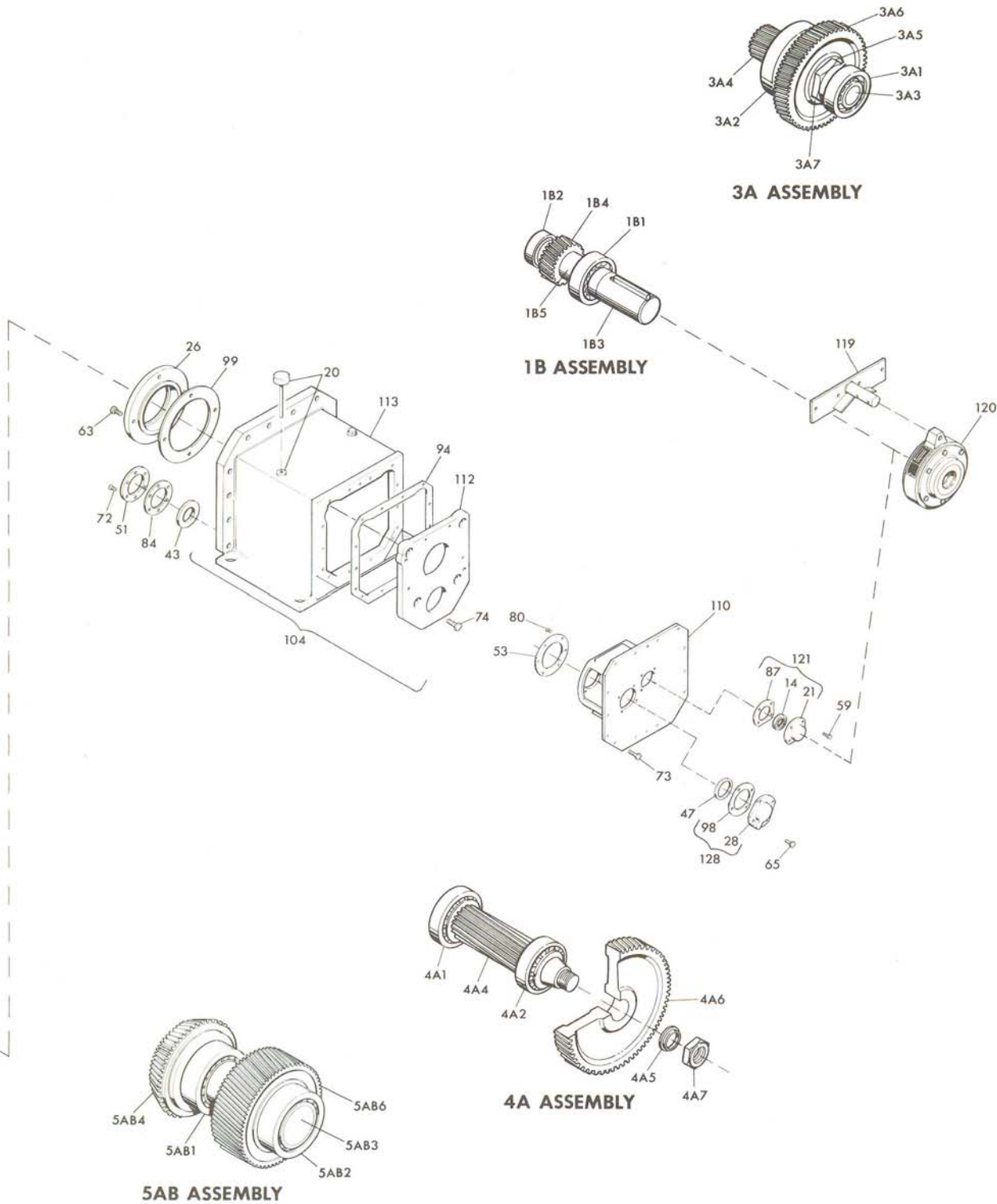
**CAUTION:** This protection does not cover exposure to elements such as standing water, etc.

Ref. No.	Part Description
14	Seal
18	Seal
18A	Seal
19	Seal
20	Dipstick
21	Seal Cage (Replace with Ref 121)
24	Seal Cage (Replace with Ref 124)
25	Seal Cage (Replace with Ref 125)
26	Bearing Cage
28	Shaft Cover (Replace with Ref 128)
30	Shaft Cover
31	Shaft Cover
43	Spacer
47	Spacer
51	Thrust Plate
53	Thrust Plate
100	Shim-Gasket Kit (Incls Ref 84, 86, 87, 90, 94–96, 99)
104	Housing Assembly (Incls Ref 112, 113, 20, 100, 130)
110	Head
116	Bevel Housing
117	Housing Cover
119	Yoke (Sizes 1100/100)
120	Backstop Assembly (Sizes 1100/100)
121	Seal Cage Assembly (Incls Ref 14, 21, 87)
124	Seal Cage Assembly (Incls Ref 18, 24, 86)
125	Seal Cage Assembly (Incls Ref 18, 25, 90)
128	Shaft Cover Kit
130	Fastener Kit (Incls Ref 59, 63, 64, 65, 72–74, 80)
131	Fastener Kit (Incls Ref 62, 76, 77)
<b>1B</b>	<b>Shaft Assembly — Incls Ref 1B1 thru 1B5</b>
1B1	Bearing
1B2	Bearing
1B3	Shaft
1B4	Pinion
1B5	Spacer (Sizes 1080–1100 & 100))
<b>3A</b>	<b>Shaft Assembly — Incls Ref 3A1 thru 3A7</b>
3A1	Bearing
3A2	Bearing
3A3	Shaft
3A4	Pinion
3A5	Spacer (Sizes 1060–1080)
3A6	Gear
3A7	Locknut
<b>4A</b>	<b>Shaft Assembly — Incls Ref 4A1 thru 4A7</b>
4A1	Bearing
4A2	Bearing
4A4	Pinion & Shaft
4A5	Spacer (Sizes 1100/100)
4A6	Gear
4A7	Locknut
<b>5AB</b>	<b>Shaft Assembly — Excludes Ref 5AB4</b>
5AB1	Bearing
5AB2	Bearing
5AB3	Shaft
5AB4	Bevel Pinion (Replace with Ref 7AB)
5AB6	Gear
<b>6AB</b>	<b>Shaft Assembly — Excludes Ref 6AB6</b>
6AB1	Bearing
6AB2	Bearing
6AB3	Shaft (Incls Ref 6AB10)
6AB6	Bevel Gear (Replace with Ref 7AB)
6AB8	Seal Collar
6AB9	Baffle (Incls Ref 6AB11)
<b>7AB</b>	<b>Bevel Gear &amp; Pinion (Incls Ref 5AB4, 6AB6, 6AB9 &amp; 6AB11)</b>

## Parts Diagram



## Parts Diagram



**TABLE 1 — 1B & 3A Shaft Assembly (Sizes 1060-1100 & 60-100, Model M) <sup>1</sup>**

Ratio	Drive Size					Ratio
	1060/60	1070/70	1080/80	1090/90	1100/100	
57.66	1B1, 1B3, 1B4 & 1B5		SCREENED	SCREENED	SCREENED	57.66
70.62						70.62
86.50						86.50
105.9						105.9
129.7						129.7
158.9						158.9
194.6						194.6
238.4						238.4
291.9						291.9
57.66						SCREENED
70.62	70.62					
86.50	86.50					
105.9	105.9					
129.7	129.7					
158.9	158.9					
194.6	194.6					
238.4	238.4					
291.9	291.9					
		1B3 & 1B4				
			3A3 & 3A4			

<sup>1</sup> Individual components for Drive Sizes and Ratios shown in the SCREENED areas may be ordered separately. High interference fit components which must be assembled at the Factory are identified in Tables 1 & 2.

**TABLE 2 — 1B, 3A & 5AB Shaft Assemblies (Sizes 60-100, Models A & B) <sup>1</sup>**

Ratio	Drive Size					Ratio
	60	70	80	90	100	
57.66	1B1, 1B3, 1B4 & 1B5				SCREENED	57.66
70.62						70.62
86.50						86.50
105.9						105.9
129.7						129.7
158.9						158.9
194.6						194.6
238.4						238.4
291.9						291.9
57.66						SCREENED
70.62	70.62					
86.50	86.50					
105.9	105.9					
129.7	129.7					
158.9	158.9					
194.6	194.6					
238.4	238.4					
291.9	291.9					
		1B3 & 1B4				
			3A3 & 3A4			
					3A2, 3A3 & 3A4	
					3A2, 3A3 & 3A4	
					3A3 & 3A4	
					3A2, 3A3 & 3A4	
ALL			5AB3 & 5AB6			ALL

<sup>1</sup> Individual components for Drive Sizes and Ratios shown in the SCREENED areas may be ordered separately. High interference fit components which must be assembled at the Factory are identified in Tables 1 & 2.