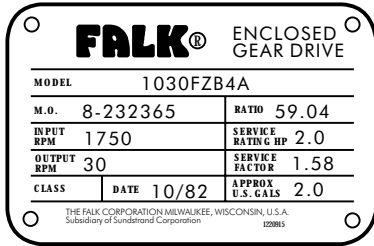


Introduction

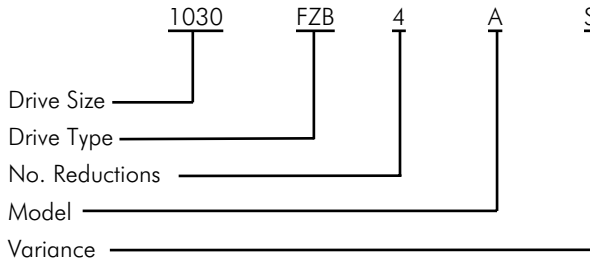
This parts guide is designed to assist in ordering replacements parts for standard gear drives. Consult Falk for special or modified drives.

- IDENTIFY DRIVE** — Record Drive Model, Ratio and M.O. Number from nameplate.

Sample Nameplate



Gear Drive Identification

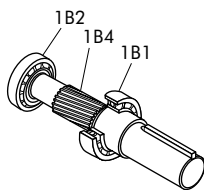


Variance Definitions

Blank = Standard Drive
S = Special — Refer to Factory

- IDENTIFY INDIVIDUAL PARTS** — Use exploded view on Page 2 to determine Ref. No. of required parts.

1B ASSEMBLY



Ref. No.	Part Description
1B1	Bearing
1B2	Bearing
1B4	Pinion & Shaft

NOTE: Replace seals, shims, and gaskets whenever reassembling a drive. Shim-gaskets and fasteners are available only in kits as shown below.

SHIMS & GASKETS — See Kit Ref. No. 100
FASTENERS — See Kit Ref. No. 130

Corrosion Protection and Storage

CAUTION: Follow guidelines below to avoid damage to parts.

- For domestic or indoor storage, Factory provides standard 24 month protection as boxed or optional 24 month protection for individual parts.
- For export or outdoor storage, Factory provides optional 18 month protection.

CAUTION: This protection does not cover exposure to elements such as standing water, etc.

Ref. No.	Part Description
14	Seal
18	Seal
19	Seal
20	Dipstick
21	Seal Cage (Replace with Ref 121)
24	Seal Cage (Replace with Ref 124)
25	Seal Cage (Replace with Ref 125)
26	Bearing Cage
28	Shaft Cover
30	Shaft Cover
31	Shaft Cover
40	Oil Dam
100	Shim-Gasket Kit (Incls Ref 86, 87, 90, 93, 94, 95, 99)
103	Housing Assembly (Incls Ref 20, 100, 130)
116	Bevel Housing
121	Seal Cage Assembly (Incls Ref 14, 21 & 87)
124	Seal Cage Assembly (Incls Ref 18, 24 & 86)
125	Seal Cage Assembly (Incls Ref 18, 25 & 90)
130	Fastener Kit (Incls Ref 59, 62, 63, 71, 73 – 76)
1B	Shaft Assembly — Incls Ref 1B1 thru 1B4
1B1	Bearing
1B2	Bearing
1B4	Pinion & Shaft
3A	Shaft Assembly — Incls Ref 3A1 thru 3A6
3A1	Bearing
3A2	Bearing
3A3	Shaft
3A4	Pinion
3A6	Gear
4A	Shaft Assembly — Incls Ref 4A1 thru 4A7
4A1	Bearing
4A2	Bearing
4A4	Pinion & Shaft (Incls Ref 4A7)
4A6	Gear
4A7	Locknut
5AB	Shaft Assembly — Excludes Ref 5AB4
5AB1	Bearing
5AB2	Bearing
5AB4	Bevel Pinion (Replace with Ref 7AB or 7ABA)
5AB6	Gear & Shaft
6AB	Shaft Assembly — Incls Ref 7ABA
6AB1	Bearing
6AB2	Bearing
6AB3	Shaft (Replace with Ref 7ABA)
6AB6	Bevel Gear (Replace with Ref 7AB or 7ABA)
6AB8	Seal Collar
6AB9	Baffle (1020/20, Not Shown)
7AB	Bevel Gear & Pinion (Incls 5AB4 & 6AB6) for Sizes 1030 thru 1050
7ABA	Bevel Gear, Pinion & Shaft (Incls 5AB4, 6AB3 & 6AB6) for Size 1020 Only

Parts Diagram

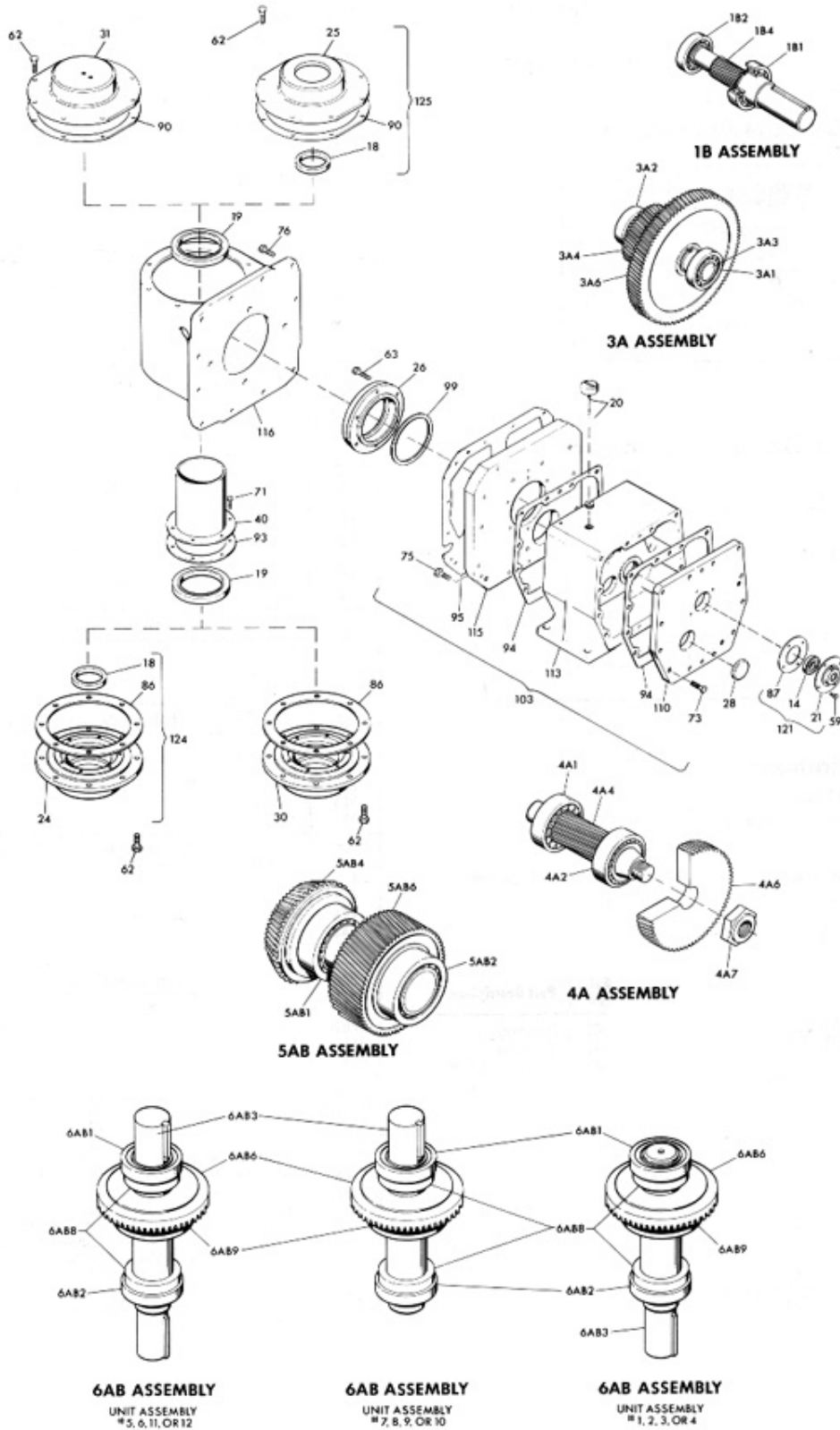


TABLE 1 — 3A Shaft Assembly (Sizes 1020-1050 & 20-50, Model M) ¹

Ratio	Drive Size				Ratio
	1020/20	1030/30	1040/40	1050/50	
47.08		47.08
57.66 thru 158.9		3A3, 3A4 & 3A6		50 Model M & 1050 Only	57.66 thru 158.9
194.6				194.6
238.4				238.4

¹ Individual components for Drive Sizes and Ratios shown in the SCREENED areas may be ordered separately. High interference fit components which must be assembled at the Factory are identified in Tables 1 & 2.

TABLE 2 — 6AB Low Speed Shaft Assembly (All Models) ¹

Ratio	Drive Size				Ratio
	1020/20	1030/30	1040/40	1050/50	
47.08		47.08
57.66 thru 158.9	6AB3 & 6AB6				57.66 thru 158.9
194.6				194.6
238.4				238.4

¹ Individual components for Drive Sizes and Ratios shown in the SCREENED areas may be ordered separately. High interference fit components which must be assembled at the Factory are identified in Tables 1 & 2.