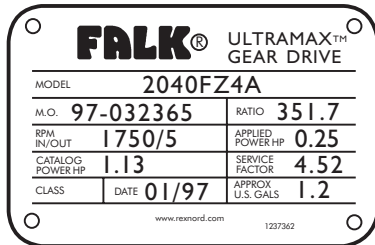


Introduction

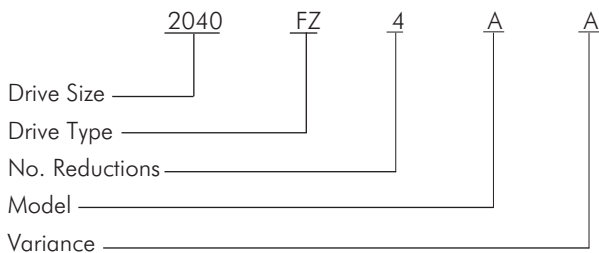
This parts guide is designed to assist in ordering replacement parts for standard quadruple reduction gear drives. Consult Factory for special or modified drives.

- 1. IDENTIFY DRIVE** — Record Drive Model, Ratio and M.O. Number from nameplate.

Sample Nameplate



Gear Drive Identification



Variance Definitions:

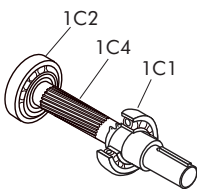
Blank = Standard Drive

A = Drive equipped With Backstop

S = Special — Refer to Factory

- 2. IDENTIFY INDIVIDUAL PARTS** — Use exploded view on Page 2 to determine Ref. No. of required parts.

1C ASSEMBLY



Ref. No.	Part Description
1C1	Bearing
1C2	Bearing
1C4	Pinion & Shaft

NOTE: Replace seals, shims, and gaskets whenever reassembling a drive. Shim-gaskets and fasteners are available only in kits as shown below.

SHIMS & GASKETS — See Kit Ref. No. 100

FASTENERS — See Kit Ref. No. 130

Corrosion Protection and Storage

CAUTION: Follow guidelines below to avoid damage to parts.

- For domestic or indoor storage, Factory provides standard 24 month protection as boxed or optional 24 month protection for individual parts.
- For export or outdoor storage, Factory provides optional 18 month protection.

CAUTION: This protection does not cover exposure to elements such as standing water, etc.

Ref. No.	Part Description
HOUSING PARTS	
14	Seal
15	Seal
20	Dipstick
21	Seal Cage (Specify Ref 121)
22	Seal Cage (Specify Ref 122)
27	Shaft Cover
28	Shaft Cover
29	Shaft Cover
32	Backstop Cover
33	Backstop Cage
34	Backstop
41	Spacer
59	
thru 73	Fasteners – Available as a KIT (Specify Ref. No. 130)
87	
thru 94	Shim-Gasket KIT (Specify Ref. No. 100)
100	Shim-Gasket KIT (Incls Ref Nos. 87, 89, 91, 94)
101	Housing Assembly (Incls Ref Nos. 110, 113, 114, 100, 130, & 20)
120	Backstop Assembly (Incls Ref Nos. 32, 33, 34, 68, & 91)
121	Seal Cage Assembly (Incls Ref Nos. 14, 21, & 87)
122	Seal Cage Assembly (Incls Ref Nos. 15, 22, & 89)
129	Shaft Cover Kit (Incls Ref Nos. 29, 91)
130	Fastener Kit (Incls Ref Nos. 59, 60, 61, 66, 68, & 73)
132	Shaft Cover Kit (Incls Ref 32, 91)
1C Shaft Assembly — Incls Ref 1C1 thru 1C4	
1C1	Bearing
1C2	Bearing
1C4	Pinion & Shaft
2A Shaft Assembly — Incls Ref 2A1, 2A2, 2A5, & 2A7 *	
2A1	Bearing
2A2	Bearing
2A5	Spacer
2A7	Pinion/Shaft/Gear
3A Shaft Assembly — Incls Ref 3A1 thru 3A7 †	
3A1	Bearing
3A2	Bearing
3A3	Shaft †
3A4	Pinion †
3A6	Intermediate Gear
4A Shaft Assembly — Incls Ref 4A1 thru 4A7	
4A1	Bearing
4A2	Bearing
4A4	Pinion & Shaft
4A6	Gear
4A7	Locknut
5A Shaft Assembly — Incls Ref 5A1, 5A2, 5A3, & 5A4	
5A1	Bearing
5A2	Bearing
5A3	Shaft
5A6	Gear

* 2A4 and 2A6 must be Factory assembled; therefore cannot be ordered separately.

† 3A3 and 3A4 must be Factory assembled; therefore cannot be ordered separately for ratios 430.6-647.4.

Parts Diagram

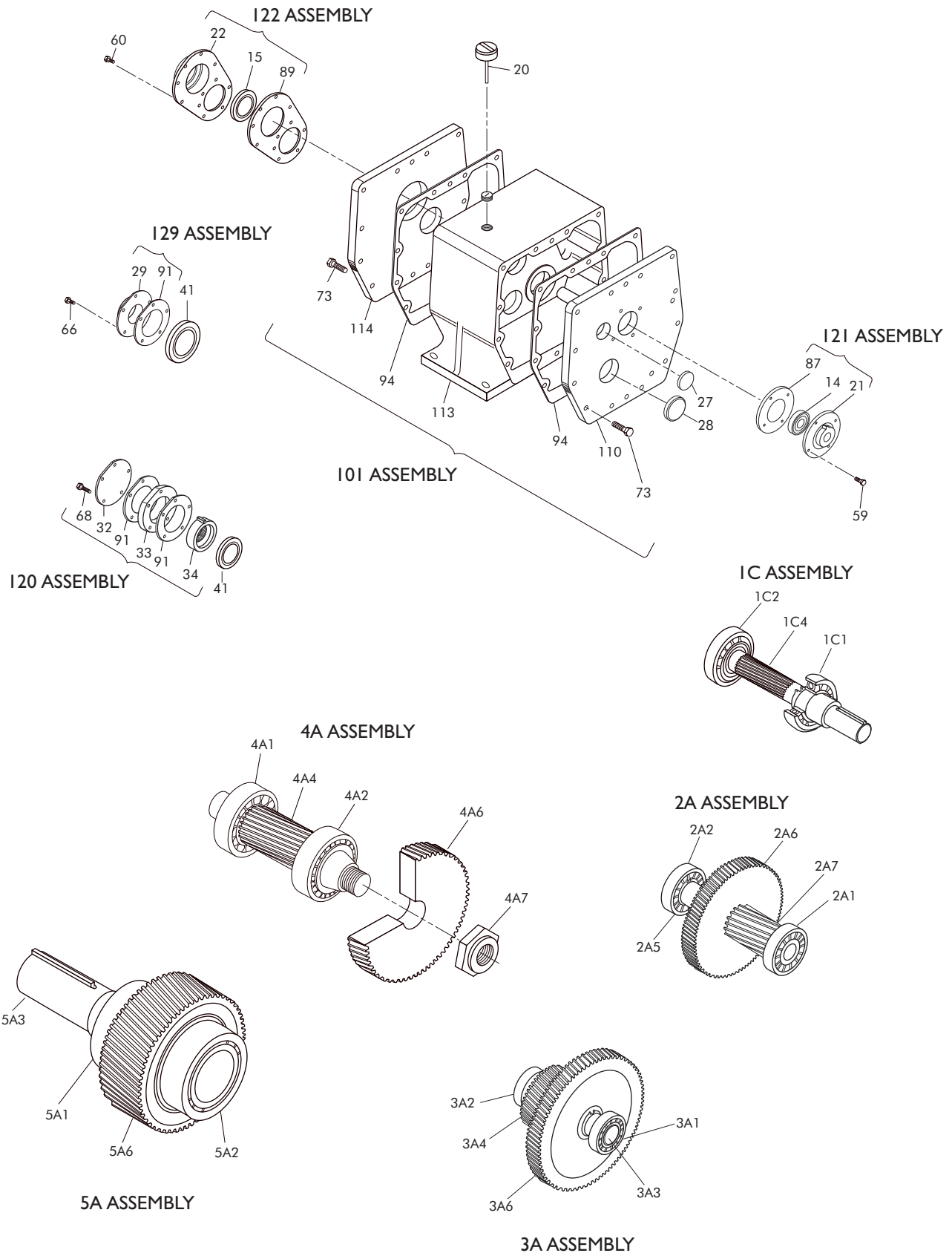


TABLE 1 — Bearings/Falk Part Number

DRIVE SIZE	Reference Number									
	1A1	1A2	2A1	2A2	3A1	3A2	4A1	4A2	5A1	5A2
2040	2916270	2916269	2916268	2916268	2916266	921844	2916271	2916271	921761	921761
2050	2916296	2916295	2916294	2916294	921322	2916291	2916263	2916288	921745	921745

TABLE 2 — Bearing Manufacturers' Part Number

Falk Part Number	Manufacturers' Part Number
921322	TIM14130/14276
921745	TIM39590/39520
921761	TIMJM207049/JM207010
921844	TIM1775/1729
2916263	TIM418/414
2916266	TIM15101/15244
2916268	TIM00050/00150
2916269	TIM17580/17520B
2916270	TIM07100/07204
2916271	TIM15101/15244
2916288	TIM3879/3820
2916291	FAF304W
2916294	TIMLM72849/LM72810
2916295	TIM1779/1729B
2916296	TIM17119/17244

TABLE 3 — Oil Seals/Falk Part Number

DRIVE SIZE	Reference Number	Falk Part Number	
		Standard Nitrile Seal	Optional Viton® Seal
2040	14	2916416	2916417
	15	912775	2916797
2050	14	2913978	2916400
	15	2916297	2916413

TABLE 4 — Seal Manufacturers' Part Number

Falk Part Number	Manufacturers' Part Number	Shaft Dia.	Outside Dia.	Width
912775	NATL470898	2.125	1.879	.375
2913978	NAT471652	1.125	1.628	.250
2916297	CRWAI-26238	2.625	3.628	.375
2916400	CRWAI-1134	1.125	1.628	.250
2916413	NAT475458	2.625	3.628	.375
2916416	CRWAI-9998	1.000	1.756	.250
2916417	CRWAI-9983	1.000	1.756	.250
2916797	CRSAI-21091	2.125	2.879	.438