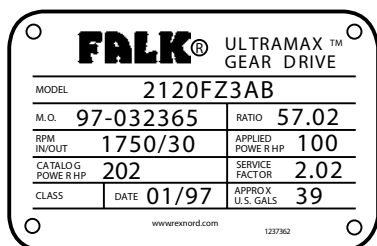


Introduction

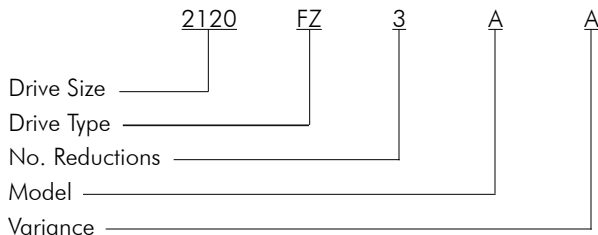
This parts guide is designed to assist in ordering replacements parts for standard double reduction gear drives. Consult Factory for special or modified drives.

- IDENTIFY DRIVE** — Record Drive Model, Ratio and M.O. Number from nameplate.

Sample Nameplate



Gear Drive Identification



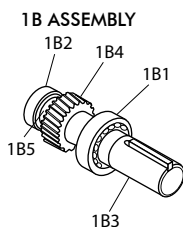
Variance Definitions:

Blank = Standard Drive

A = Drive equipped With Backstop

S = Special — Refer to Falk

- IDENTIFY INDIVIDUAL PARTS** — Use exploded view on Page 2 to determine Ref. No. of required parts.



Ref. No.	Part Description
1B1	Bearing
1B2	Bearing
1B3	Shaft
1B4	Pinion
1B5	Spacer

NOTE: Replace seals, shims, and gaskets whenever reassembling a drive. Shim-gaskets and fasteners are available only in kits as shown below.

SHIMS & GASKETS — See Kit Ref. No. 100

FASTENERS — See Kit Ref. No. 130

Corrosion Protection and Storage

CAUTION: Follow guidelines below to avoid damage to parts.

- For domestic or indoor storage, Factory provides standard 24 month protection as boxed or optional 24 month protection for individual parts.
- For export or outdoor storage, Factory provides optional 18 month protection.

CAUTION: This protection does not cover exposure to elements such as standing water, etc.

Ref. No.	Part Description
14	Seal
15	Seal
20	Dipstick
21	Seal Cage (Replace with Ref 121)
22	Seal Cage (Replace with Ref 122)
28	Shaft Cover (Replace with Ref 128)
29	Shaft Cover (Replace with Ref 129)
32	Shaft Cover (Replace with Ref 132)(Sizes 2060-2090)
33	Backstop Cage (Sizes 2060-2090)
34	Backstop (Sizes 2060-2090)
41	Spacer
47	Spacer
53	Thrustplate
100	Shim-Gasket Kit (Incls Ref 87, 89, 91, 94, 98)
102	Housing Assembly (Incls Ref 112, 113, 100, 130)
110	Head
119	Yoke (Sizes 2100-2130)
120	Backstop Assembly (Incls Ref 32, 33, 34, 68, 91)(Sizes 2100-2130)
121	Seal Cage Assembly (Incls Ref 14, 21, 87)
122	Seal Cage Assembly (Incls Ref 15, 22, 89)
128	Shaft Cover Kit (Incls Ref 28, 98)
129	Shaft Cover Kit (Incls Ref 29, 91)
130	Fastener Kit (Incls Ref 59, 60, 64, 65, 66, 68, 73, 74)
132	Shaft Cover Kit (Incls Ref 32, 91)
1B Shaft Assembly — Incls Ref 1B1 thru 1B5	
1B1	Bearing
1B2	Bearing
1B3	Shaft
1B4	Pinion
1B5	Spacer (Sizes 2070-2130)
3A Shaft Assembly — Incls Ref 3A1 thru 3A7	
3A1	Bearing
3A2	Bearing
3A3	Shaft
3A4	Pinion
3A5	Spacer (Sizes 2060, 2120 & 2130)
3A6	Gear
3A7	Locknut
4A Shaft Assembly — Incls Ref 4A1 thru 4A7	
4A1	Bearing
4A2	Bearing
4A4	Pinion & Shaft (Incls Ref 4A7)
4A5	Spacer(Sizes 2100-2130)
4A6	Gear
4A7	Locknut
5A Shaft Assembly — Incls Ref 5A1 thru 5A6	
5A1	Bearing
5A2	Bearing
5A3	Shaft
5A6	Gear

Parts Diagram

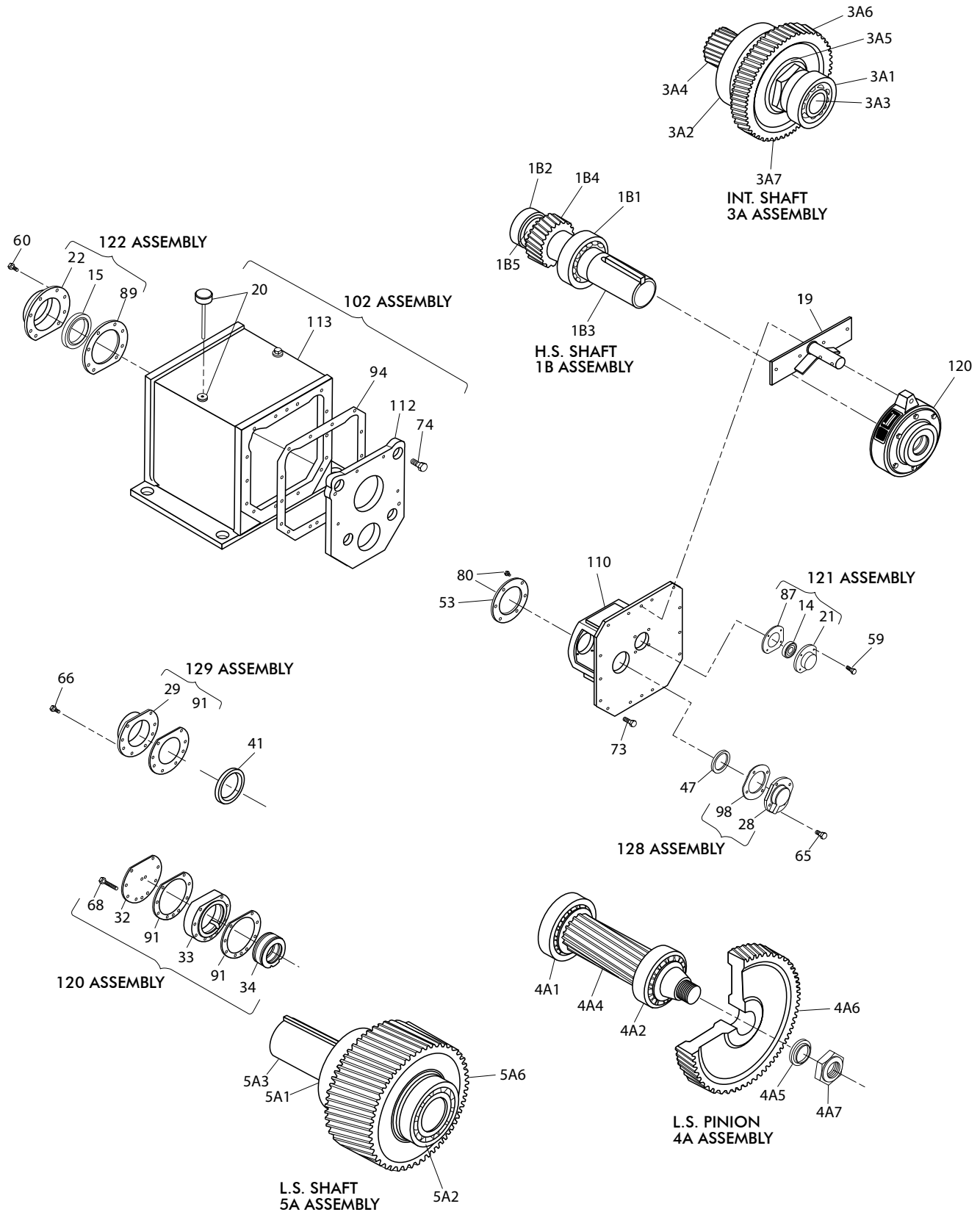


TABLE 1 — 1A Shaft Assembly ★

Ratio	Drive Size							Ratio	
	2060	2070	2080	2090	2100	2110	2120		2130
38.46									38.46
46.65	1A3 &		1A3 &						46.65
56.62	1A4		1A4						56.62
70.64									70.64
85.69					1A3 &				85.69
106.5					1A4				106.5
131.3									131.3
156.7									156.7
190.1									190.1

★ Individual components for Drive Sizes and Ratios shown in the SCREENED areas may be ordered separately. High interference fit components which must be assembled at the Factory are identified in the table above.

TABLE 2 — Bearing/Falk Part Number

DRIVE SIZE	Reference Number							
	1B1	1B2	3A1	3A2	4A1	4A2	5A1	5A2
2060	921767	2916705 ¹ 2916706 ²	2916707	2916708	2916437	921300	921530	921677 ²⁰ 2929598 ²¹
2070	2916477	921844	921335	2916476	921795	921796	921751	921671 ²⁰ 2929282 ²¹
2080	921338 ³ 2916550 ⁴	2916558	921335	2916557 ⁵ 2916556 ⁶	2916560	2916560	921678	921671 ²⁰ 2929282 ²¹
2090	921338 ⁷ 2916550 ⁸	921343	921847	921535 ⁹ 921383 ¹⁰ 921324 ¹¹	921810	921846	921741	921681 ²⁰ 921352 ²¹
2100	921351	921342	921492	921530 ¹² 2916776 ¹³	921489	921764 ²⁰ 921489 ²¹	921414	921668 ²⁰ 921443 ²¹
2110	921775	921442 ¹⁴ 921533 ¹⁵	921852	921304 ¹⁶ 921309 ¹⁷	921542	921667 ²⁰ 921542 ²¹	921674	921524 ²⁰ 921414 ²¹
2120	921349	921808	921385	921678 ¹⁸ 921314 ¹⁹	921542	921667 ²⁰ 921542 ²¹	921881	921832 ²⁰ 921748 ²¹
2130	921349	921808	921385	921854	2917790	2917789 ²⁰ 2917790 ²¹	921331	921462 ²⁰ 921422 ²¹

1 Ratios 38.46-1341.3.

2 Ratios 156.7-190.1.

3 Ratios 38.88-87.65.

4 Ratios 107.7-156.4.

5 Ratios 38.88-130.4.

6 Ratio 156.4.

7 Ratios 39.51-157.5.

8 Ratio 193.6.

9 Ratio 39.51.

10 Ratios 48.23, 57.53, 85.18, and 129.7.

11 Ratios 69.86, 103.4, 157.5, and 193.6.

12 Ratios 40.24, 48.39, 71.64, 88.36, and 133.8 Trapped †.

13 Ratios 57.29, 104.6, and 158.4.

14 Ratios 38.38-68.94, 104.9-128.2.

15 Ratios 86.02, 155.7.

16 Ratios 38.30-104.9.

17 Ratios 128.2-155.7.

18 Ratios 39.36-128.9 Trapped †.

19 Ratio 158.2.

20 Model A or Model B.

21 Model B only.

† A bearing that is confined within an assembly either dimensionally or by a high interference component. This bearing cannot be replaced on an individual basis; it must be replaced as part of an assembly.

TABLE 3 — Bearing Manufacturer's Part Number

Falk Part Number	Manufacturer's Part Number	Falk Part Number	Manufacturer's Part Number
921300	TIM 528A/522	921741	TIM HH221449A/HH221410
921304	TIM 759/752	921748	TIM95525/95925
921309	TIM 755/752	921751	TIM JH217249/JH217210
921314	TIM 841/832	921764	TIM 6576/6535B
921324	TIM 635/632	921767	TIM LM29749/LM29710
921331	TIM HM237545/HM237510	921775	TIM 39580/39520
921335	TIM 23100/23256	921795	TIM JH307749/JH307710
921338	TIM 368A/362A	921796	TIM 59200/59412
921342	TIM 3476/3420	921808	TIM 5356/5335
921343	TIM 3659/3620	921810	TIM 745A/742
921349	TIM HM212046/HM212011	921832	TIM 95525/95925B
921351	TIM 462/453X	921844	TIM 1775/1729
921352	TIM 6580/6535	921846	TIM H414242/H414210
921383	TIM 639/632	921847	TIM 3878/3820
921385	TIM 6277/6220	921852	TIM HM807035/HM807010
921414	TIM 938/932	921854	TIM HH221442/HH221410
921422	TIM 99550/99100	921881	TIM 99575/99100
921442	TIM 3877/3820	2916437	TIM 527/522
921443	TIM HH221449/HH221410	2916476	TIM 440/432B
921462	TIM 99550/99100B	2916477	TIM L102849/L102810
921489	TIM 6576C/6535	2916550	TIM 18790/18724
921492	TIM HM807040/HM807010	2916556	TIM 461/453B
921524	TIM 938/932B	2916557	TIM 467/453B
921530	TIM H414249/H414210	2916558	TIM 3659/3620B
921533	TIM 3872/3720	2916560 *	TIM NP747110/NP520308
921535	TIM 644/632	2916705	TIM 09074/09195
921542	TIM HH221434/HH221410	2916706	TIM 09062/0915
921667	TIM HH221434/HH221410B	2916707	TIM 21075/21213
921668	TIM HH221449/HH221410B	2916708	TIM 26883/26822B
921671	TIM H715345/H715310B	2916776	TIM H414245/H414210
921674	TIM 95528/95925	2917789 *	TIM NP076564/NP669820
921677	TIM 641/632B	2917790 *	TIM NP076564/NP315658
921678	TIM 850/832	2929282	TIM H715345/H715310
921681	TIM 6580/6535B	2929598	TIM 641/632

* Prefix "NP" must be Timken P900 roller bearing.

TABLE 4 — Oil Seals/Falk Part Number

DRIVE SIZE	Reference Number	Falk Part Number Standard Nitrile Seal	Falk Part Number Optional Viton® Seal
2060	14	912853	2901717
	15	912757	913031
2070	14	912872	2917710
	15	2917422	2916716
2080	14	2916440	2916439
	15	2916559	2900967
2090	14	2916440	2916439
	15	912850	2918301
2100	14	2916785	2916794
	15	2916787	2918301
2110	14	2917237	2917238
	15	2917233	2917234
2120	14	2916996	2916997
	15	2916994	2918303
2130	14	2916996	2916997
	15	912765	2902643

TABLE 5 — Seal Manufacturer's Part Number

Falk Number	Manufacturer's Number	Shaft Dia	Outside Dia	Width
912757	NATL417316	2.750	3.756	.375
912765	CR64993	6.500	7.500	.500
912850	CR40077	4.000	5.631	.375
912853	CRWAI-14939	1.500	2.250	.313
912872	CRW17386	1.750	2.502	.313
913031	CRWH127365(V)	2.750	3.750	.438
2900967	CR34883	3.500	4.506	.375
2901717	CR14942	1.500	2.250	.313
2902643	CR64998	6.500	7.500	.500
2916439	CRWI-19839	2.000	2.750	.313
2916440	CRWAI-19832	2.000	2.750	.313
2916559	CRWAI-34887	3.500	4.505	.375
2916716	CRWAI-32392	3.250	4.254	.375
2916785	CRWAI-22441	2.250	3.256	.375
2916787	CRWAI-44960	4.500	5.506	.375
2916794	JM6336 LUP H5-L16	2.250	3.256	.375
2916994	CRWHAI-57531	5.750	7.006	.500
2916996	CRWAI-25075	2.500	3.628	.375
2916997	CRWAI-25076	2.500	3.628	.375
2917233	CR51252-DLDC	5.125	6.256	.500
2917234	CR51253-DLSC	5.125	6.256	.500
2917237	CR22354-DLSC	2.250	3.005	.375
2917238	CR22361-DLSC	2.250	3.005	.375
2917422	CRWAI-32395	3.250	4.254	.375
2917710	CRWAI-17381	1.758	2.506	.313
2918301	JM04-00-60003 H5-L16	4.000	5.631	.375
2918302	CR44973	4.500	5.506	.500
2918303	CR57523	5.750	7.006	.562