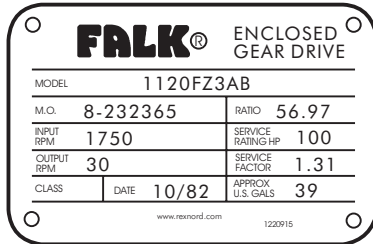


Introduction

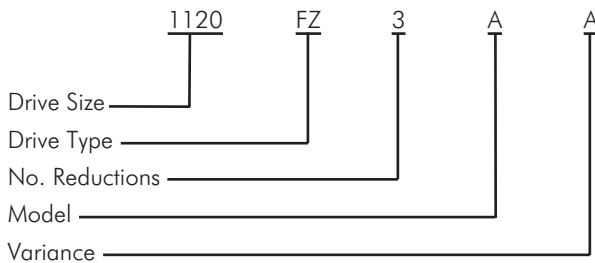
This parts guide is designed to assist in ordering replacements parts for standard gear drives. Consult Factory for special or modified drives.

1. IDENTIFY DRIVE — Record Drive Model, Ratio and M.O. Number from nameplate.

Sample Nameplate



Gear Drive Identification



Variance Definitions:

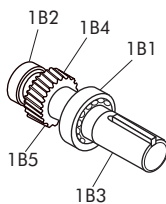
Blank = Standard Drive

A = Drive equipped With Backstop

S = Special — Refer to Factory

2. IDENTIFY INDIVIDUAL PARTS — Use exploded view on Page 2 to determine Ref. No. of required parts.

1B ASSEMBLY



Ref. No.	Part Description
1B1	Bearing
1B2	Bearing
1B3	Shaft
1B4	Pinion
1B5	Spacer

NOTE: Replace seals, shims, and gaskets whenever reassembling a drive. Shim-gaskets and fasteners are available only in kits as shown below.

SHIMS & GASKETS — See Kit Ref. No. 100

FASTENERS — See Kit Ref. No. 130

Bearing & Seal Identification

Refer to exploded view on Page 2 to identify bearings and oil seals by parts list Reference Number. Then refer to Tables 3, 4, 5, or 6 to determine the manufacturer and manufacturer's part number.

Corrosion Protection and Storage

CAUTION: Follow guidelines below to avoid damage to parts.

1. For domestic or indoor storage, Factory provides standard 24 month protection as boxed or optional 24 month protection for individual parts.

2. For export or outdoor storage, Factory provides optional 18 month protection.

CAUTION: This protection does not cover exposure to elements such as standing water, etc.

Ref. No.	Part Description
14	Seal
15	Seal
20	Dipstick
21	Seal Cage (Replace with Ref 121)
22	Seal Cage (Replace with Ref 122)
28	Shaft Cover (Replace with Ref 128)
29	Shaft Cover (Replace with Ref 129)
32	Shaft Cover (Replace with Ref 132)(Sizes 1060-1090 & 60-90)
33	Backstop Cage (Sizes 1060-1090 & 60-90)
34	Backstop (Sizes 1060-1090 & 60-90)
41	Spacer
47	Spacer
53	Thrustplate
100	Shim-Gasket Kit (Incls Ref 87, 89, 91, 94, 98)
102	Housing Assembly (Incls Ref 112, 113, 100, 130)
110	Head
119	Yoke (Sizes 1100-1130 & 100-130)
120	Backstop Assembly (Incls Ref 32, 33, 34, 68, 91)(Sizes 1100-1130 & 100-130)
121	Seal Cage Assembly (Incls Ref 14, 21, 87)
122	Seal Cage Assembly (Incls Ref 15, 22, 89)
128	Shaft Cover Kit (Incls Ref 28, 98)
129	Shaft Cover Kit (Incls Ref 29, 91)
130	Fastener Kit (Incls Ref 59, 60, 64, 65, 66, 68, 73, 74)
132	Shaft Cover Kit (Incls Ref 32, 91)
1B Shaft Assembly — Incls Ref 1B1 thru 1B5	
1B1	Bearing
1B2	Bearing
1B3	Shaft
1B4	Pinion
1B5	Spacer (Sizes 1080-1130 & 100-130)
3A Shaft Assembly — Incls Ref 3A1 thru 3A7	
3A1	Bearing
3A2	Bearing
3A3	Shaft
3A4	Pinion
3A5	Spacer (Sizes 1060-1080, 1120 & 1130)
3A6	Gear
3A7	Locknut
4A Shaft Assembly — Incls Ref 4A1 thru 4A7	
4A1	Bearing
4A2	Bearing
4A4	Pinion & Shaft (Incls Ref 4A7)
4A5	Spacer (Sizes 1100-1130 & 100-130)
4A6	Gear
4A7	Locknut
5A Shaft Assembly — Incls Ref 5A1 thru 5A6	
5A1	Bearing
5A2	Bearing
5A3	Shaft
5A6	Gear

Parts Diagram

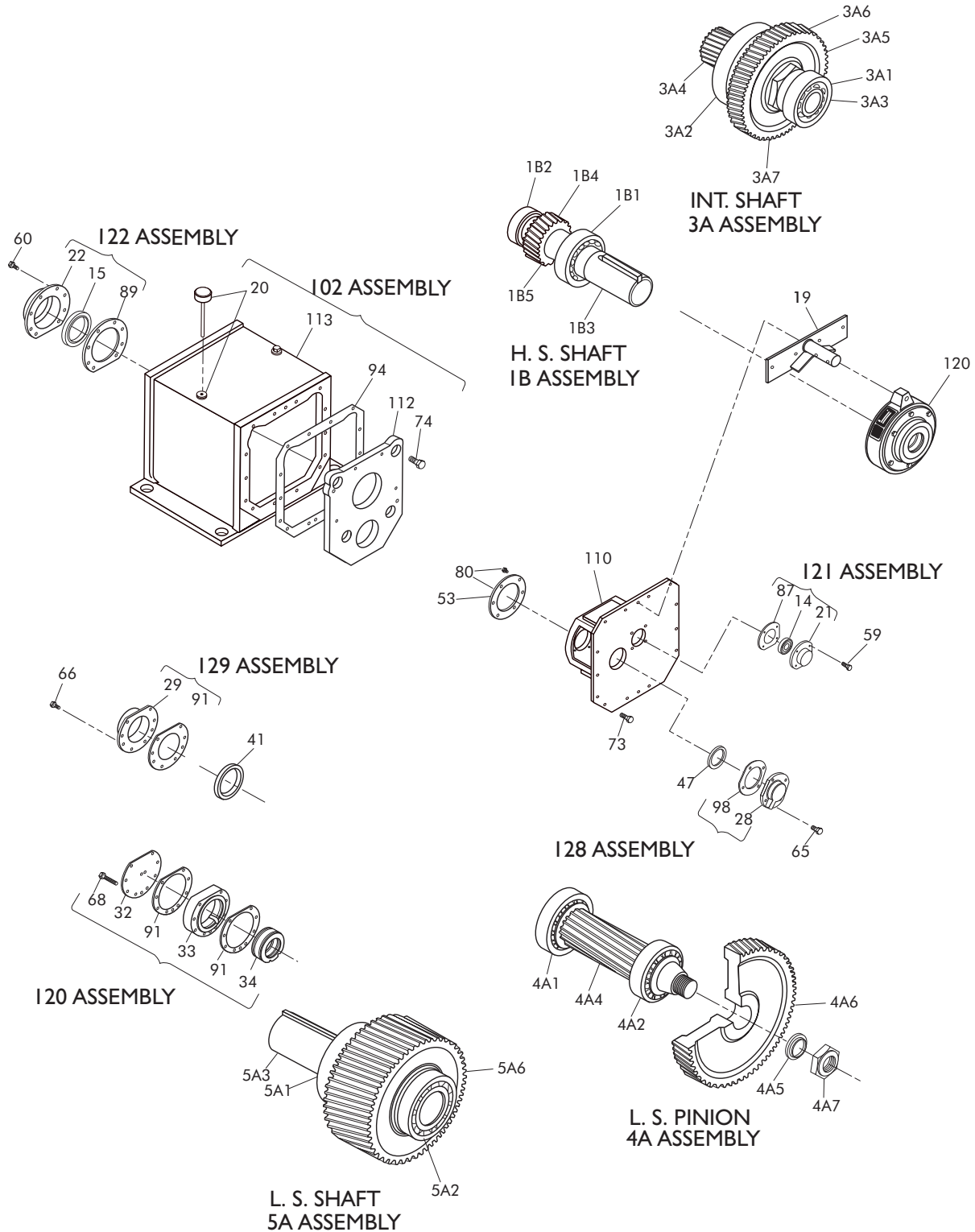


TABLE 1 — 1B & 3A Shaft Assemblies (Sizes 1060-1130 & 60-130, Model M)¹

Ratio	Drive Size							Ratio
	1060/60	1070/70	1080/80	1090/90	1100/100	1110/110	1120/120	
38.44	1B1, 1B3, 1B4, & 1B5	[Shaded]	[Shaded]	[Shaded]	[Shaded]	[Shaded]	[Shaded]	38.44
47.08								47.08
57.66								57.66
70.62								70.62
86.50								86.50
105.9	1B3 & 1B4	[Shaded]	[Shaded]	[Shaded]	[Shaded]	[Shaded]	[Shaded]	105.9
129.7								129.7
158.9								158.9
194.6								194.6
194.6								194.6
38.44	[Shaded]	[Shaded]	[Shaded]	[Shaded]	[Shaded]	[Shaded]	[Shaded]	38.44
47.08								47.08
57.66								57.66
70.62								70.62
86.50								86.50
105.9								105.9
129.7								129.7
158.9								158.9
194.6								194.6
194.6								194.6

TABLE 2 — 1B, 3A & 5A Shaft Assemblies (Sizes 60-130, Models A & B)¹

Ratio	Drive Size							Ratio
	60	70	80	90	100	110	120	
38.44	1B1, 1B3, 1B4, & 1B5	[Shaded]	[Shaded]	[Shaded]	[Shaded]	[Shaded]	[Shaded]	38.44
47.08								47.08
57.66								57.66
70.62								70.62
86.50								86.50
105.9	[Shaded]	[Shaded]	[Shaded]	[Shaded]	[Shaded]	[Shaded]	[Shaded]	105.9
129.7								129.7
158.9								158.9
194.6								194.6
194.6								194.6
38.44	[Shaded]	[Shaded]	[Shaded]	[Shaded]	[Shaded]	[Shaded]	[Shaded]	38.44
47.08								47.08
57.66	[Shaded]	3A3 & 3A4	[Shaded]	[Shaded]	[Shaded]	[Shaded]	[Shaded]	57.66
70.62								70.62
86.50								86.50
105.9	[Shaded]	[Shaded]	[Shaded]	[Shaded]	[Shaded]	[Shaded]	[Shaded]	105.9
129.7								129.7
158.9	[Shaded]	[Shaded]	[Shaded]	[Shaded]	[Shaded]	[Shaded]	[Shaded]	158.9
194.6								194.6
ALL	5A3 & 5A6							ALL

¹ Individual components for drive sizes and ratios shown in the SCREENED areas may be ordered separately. High interference fit components which must be assembled at the Factory are identified in Tables 1 & 2.

TABLE 3 — Bearings/Falk Part Numbers

DRIVE SIZE		Reference No.							
10 Series Models A or B		1B1	1B2	3A1	3A2	4A1	4A2	5A1	5A2
60 Model A		0919606	0919645	0919645	0919629	0919023	0919652	0921530	0921677
70 Model A		0919607	0919001	0919001	0919604	0919005	0919014	0921751	0921671
80 Model B		0919054	0919002	0919002	0919605	0919665	0919031	0921678	0921671
90 Model A		0919054	0919002	0919002	0919691	0921682	0921682	0921741	0921681
100 Model A		0921685	0921686	0921747	0921347 ¹ 0921684 ²	0921530	0921501	0921414	0921668
110 Model A		0921685	0921689	0921695	0921687 ³ 0921688 ⁴	0921529	0921672	0921674	0921524
120 Model A		0921349	0921692	0921742	0921690 ⁵ 0921691 ⁶	0921352	0921660	0921665	0921451
130 Model A		0921349	0921692	0921742	0921693 ⁷ 0921694 ⁸ 0921743 ⁹	0921310	0921520	0921439	0921462
10 Series Model M	1000 Series Model A	1B1	1B2	3A1	3A2	4A1	4A2	5A1	5A2
60	1060	0919606	0920552	0919001	0919604 ¹⁰ 0919703 ¹¹	0919605	0919004	0921530	0921677
70	1070	0919607	0919001	0919002	0919691	0921795	0921796	0921751	0921671
80	1080	0919054	0919002 ¹³ 0920675 ¹⁴	0919022	0919663 ¹⁵ 0919704 ¹⁶	0921809	0921809	0921678	0921671
90	1090	0919054	0919002 ¹⁷ 0920675 ¹⁸	0921847	0921535	0921810	0921846	0921741	0921681
100	1100	0921351	0921342	0921492	0921673	0921489	0921764	0921414	0921668
110	1110	0921303	0921442 ¹⁹ 0921533 ²⁰	0921808	0921834	0921449	0921662	0921748	0921524
120	1120	0921349	0921808	0921385	0921595 ²¹ 0921678 ²²	0921542	0921667	0921422	0921832
130	1130	0921349	0921808	0921385	0921310 ²³ 0921783 ²⁴ 0921400 ²⁵	0921443	0921668	0921439	0921462

¹ Ratios 56.48, 84.94, 128.10, & 156.70.
² Ratios 36.63, 45.42, 68.32, 103.1, 186.50.
³ Ratios 37.51, 45.83, 69.35, 103.0, & 187.20.
⁴ Ratios 57.38, 86.82, 129.00, & 158.40.
⁵ Ratios 38.05, 46.46, 70.07, 103.8, & 188.80.
⁶ Ratios 56.35, 85.26, 126.40, & 152.80.
⁷ Ratios 38.3, 47.44, 71.56, & 106.0.
⁸ Ratios 57.76, 87.11, 129.10, & 156.10.
⁹ Ratio 184.70.
¹⁰ Ratios 38.73, 46.59, 58.13, 70.51, 87.47, 106.30, 131.00, & 156.40.
¹¹ Ratio 189.2.
¹³ Ratios 72.32, 89.28, 109.70, 132.80, 159.30, & 195.50.
¹⁴ Ratios 39.600, 48.110, & 58.630.
¹⁵ Ratios 39.60, 48.11, 58.63, 72.32, 89.28, & 109.70.
¹⁶ Ratios 132.80, 159.30, & 195.50.
¹⁷ Ratios 128.90, 158.40, & 189.10.
¹⁸ Ratios 38.12, 45.75, 55.58, 67.73, 84.63, & 101.00.
¹⁹ Ratios 38.03, 45.89, 55.74, 103.30, & 130.20.
²⁰ Ratios 70.26, 84.78, 159.20, & 190.20.
²¹ Ratio 160.10.
²² Ratios 38.83, 47.71, 56.57, 69.52, 88.15, 107.00, 128.90, & 196.50.
²³ Ratio 187.30.
²⁴ Ratios 38.61, 47.44, 56.25, 69.12, & 106.40.
²⁵ Ratios 84.15, 129.50, & 156.10.
 Bearing may be trapped and not available separately. Refer to Tables 1 and 2.

TABLE 4 — Bearing Manufacturer's Part Numbers

Falk No.	Manufacturer's No.
0919001	FAF304W
0919002	SKF305
0919004	SKF309J
0919005	SKF310
0919014	SKF212
0919022	FAF306W
0919023	FAF308W
0919031	SKF213
0919604	FAG308NR
0919605	SKF309NR
0919629	SKF6306NR
0919645	SKF6303/C3
0919652	TRW209M
0919663	SKF312NR
0919665	SKF311
0919691	SKF310NR
0919703	SKF210NR
0919704	SKF215NR
0920552	ROLLWAY U-1303-B
0920675	ROLLWAY U-5206-B
0921310	TIM861/854
0921342	TIM3476/3420
0921347	TIM3982/3920
0921349	TIMHM212046/HM212011
0921352	TIM6580/6535
0921385	TIM6277/6220
0921400	TIM71450/71750
0921414	TIM938/932
0921422	TIM99550/99100
0921439	TIMHM237535/HM237510
0921442	TIM3877/3820
0921443	TIMHH221449/HH221410
0921449	TIM842/832
0921451	TIM95500/95925B
0921462	TIM99550/99100B
0921489	TIM6576C/6535
0921492	TIMHM807040/HM807010
0921501	TIM644/632B
0921520	TIM861/854B
0921524	TIM938/932B
0921529	TIMH715345/H715311
0921530	TIMH414249/H414210
0921533	TIM3872/3820
0921535	TIM644/632
0921542	TIMHH221434/HH221410
0921595	TIM687/672
0921660	TIM681/672B
0921662	TIM842/832B
0921665	TIM99537/99100
0921667	TIMHH221434/HH221410B
0921668	TIMHH221449/HH221410B
0921671	TIMH715345/H715310B
0921672	TIMH715348/H715310B
0921673	TIMH715348/H715311
0921674	TIM95528/95925
0921677	TIM641/632B
0921678	TIM850/832
0921681	TIM6580/6535B
0921682	TIMHM212049/HM212011
0921684	TIM3979/3920
0921686	TIM3193/3120B
0921687	TIM565/563
0921688	TIM567A/563
0921689	TIM3877/3820B
0921690	TIM655/653
0921691	TIM663/653
0921692	TIM59187/59429B
0921693	TIM677/672
0921694	TIM681/672
0921695	TIM3872A/3820
0921741	TIMHH221449A/HH221410
0921742	TIM65383/65320

TABLE 4 — Bearing Manufacturer's Part Numbers (Cont)

Falk No.	Manufacturer's No.
0921743	TIM756A/753
0921747	TIM3474/3420
0921748	TIM95525/95925
0921751	TIMJH217249/JH217210
0921764	TIM6576/6535B
0921783	TIM866/854
0921795	TIMJH307749/JH307710
0921796	TIM59200/59412
0921808	TIM5356/5335
0921809	TIM5583/5535
0921810	TIM745A/742
0921832	TIM95525/95925B
0921834	TIM749/742
0921846	TIMH414242/H414210
0921847	TIM3878/3820

TABLE 5 — Oil Seals/Falk Part Numbers

DRIVE SIZE	Ref. No.	Falk Part No.
60/1060	14	0912849
60/1060	15	0912757
70/1070	14	0912749
70/1070	15	0912759
80/1080	14	0912845
80/1080	15	0912741
90/1090	14	0912845
90/1090	15	0912850
100/1100 ¹	14	0912754
100/1100	15	0912761
110/1110 ¹	14	0912754
110/1110 ²	15	0912762
120/1120 ³	14	0912680
120/1120 ⁴	15	0912763
130/1130 ³	14	0912680
130/1130 ⁵	15	0912764

¹ Drive Sizes 100 & 110, Model A = 0912775
² Drive Size 110, Model A = 0912787
³ Drive Size 120 & 130, Model A = 0912778
⁴ Drive Size 120, Model A = 0912762
⁵ Drive Size 130, Model A = 0912763

TABLE 6 — Seal Manufacturer's Part Numbers

Falk No.	Manufacturers' No.
0912680	CR25074
0912741	CR34886
0912749	CR17285
0912754	CR22440
0912757	NATL417316
0912759	CR32393
0912761	CR44959
0912762	CR49985
0912763	CR54960
0912764	CR60016
0912775	NAT470898
0912778	CR22353
0912787	CR47394
0912845	CR19831
0912849	CR16062
0912850	CR40077