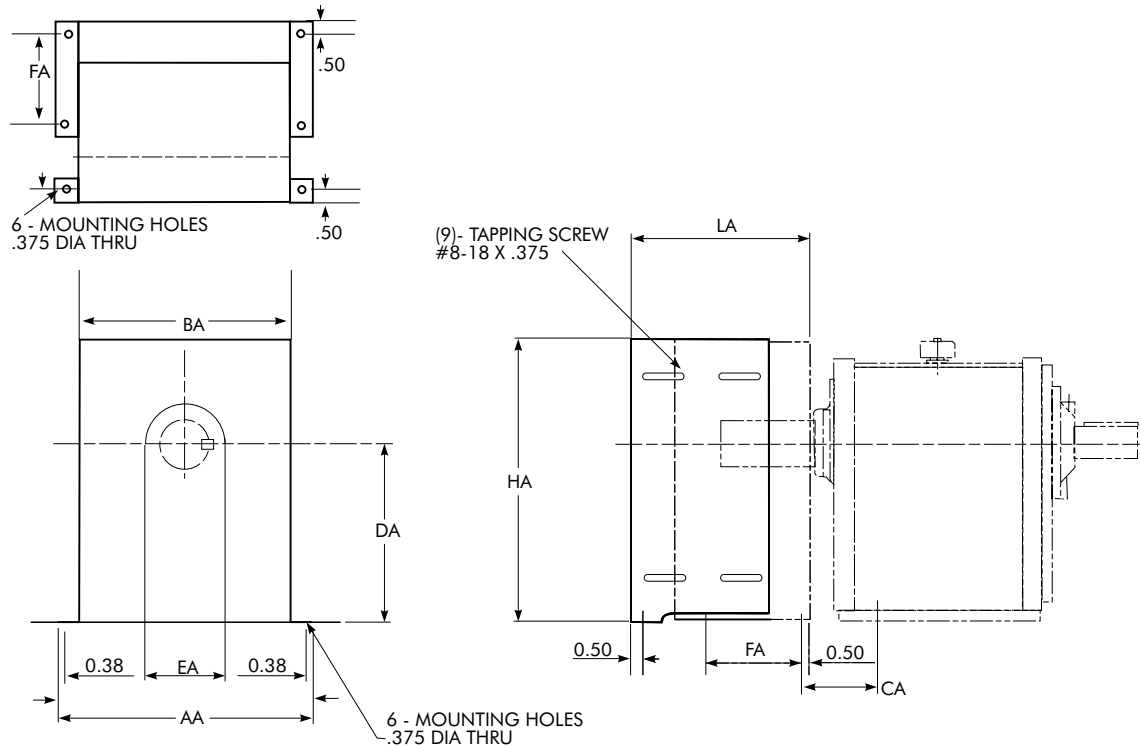


Falk UltraMax standard low speed coupling guards provide quick delivery at a low price. In stock at Falk, each guard is designed for a specific size UltraMax, and can be adjusted to suit a number of standard couplings and driven equipment requirements. The guards are 14 gauge steel, painted with Falk standard paint. Safety Yellow paint can be provided at additional cost with extended delivery.

Falk has designed the UltraMax end of the guard for close mounting, minimal clearance and maximum guarding. The buyer assumes full responsibility for proper guarding of the driven machine end to applicable national and local standards.

For special, made-to-order guards, provide complete details to your Falk District Office for a quotation.



DIMENSIONS — INCHES

DRIVE SIZE	Guard Part Number	DIMENSIONS								Max Coupling Size	
		AA	BA	CA	DA	EA	FA	HA	LA Min-Max	Type T	Type G
2040	787354	13.05	10.55	3.68	8.50	4.00	3.75	13.77	6.27-11.15	1080	1030
2050	787355	13.42	10.92	3.91	9.60	4.50	5.00	15.06	7.65-13.65	1090	1030
2060	787356	15.10	12.55	3.22	10.60	4.75	5.75	16.90	8.40-15.15	1100	1035
2070	787357	16.05	13.55	3.44	11.66	5.25	7.25	18.44	9.88-18.14	1110	1040
2080	787358	17.30	14.80	3.72	12.78	5.50	7.75	20.18	10.41-19.16	1120	1045
2090	787359	18.80	16.30	4.24	15.74	6.00	9.38	23.89	12.02-22.40	1130	1050
2100	787360	20.30	17.80	4.89	17.40	6.50	11.00	26.30	13.32-25.65	1140	1055
2110	787361	23.05	20.55	5.00	19.50	7.00	11.75	29.76	14.41-27.16	1150	1060
2120	787362	24.80	22.30	5.34	21.90	7.50	13.25	33.05	15.90-30.15	1160	1070
2130	787363	27.41	25.05	5.90	24.70	8.30	14.75	37.23	17.40-33.15	1170	1070