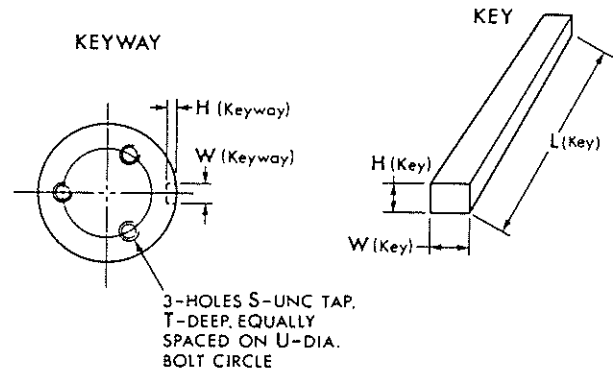
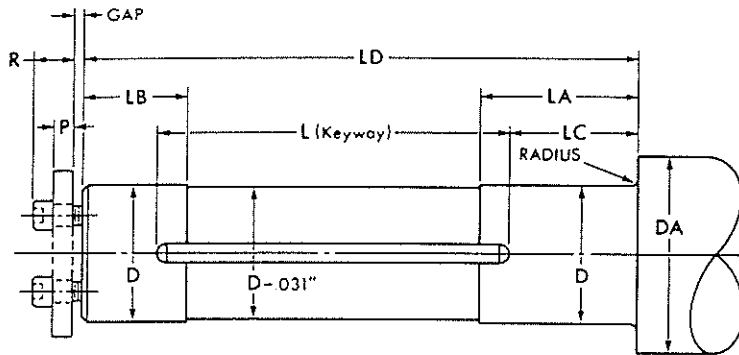


Driven Shaft



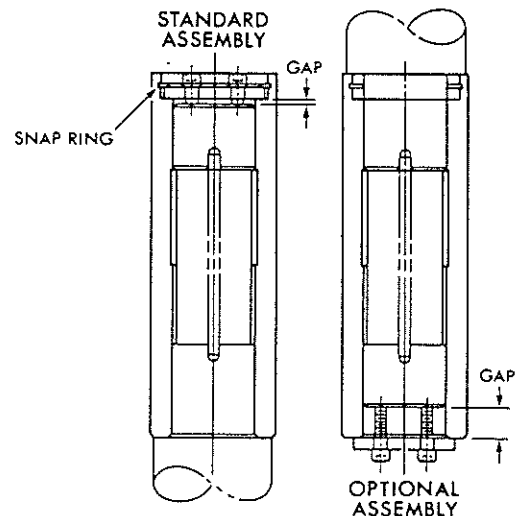
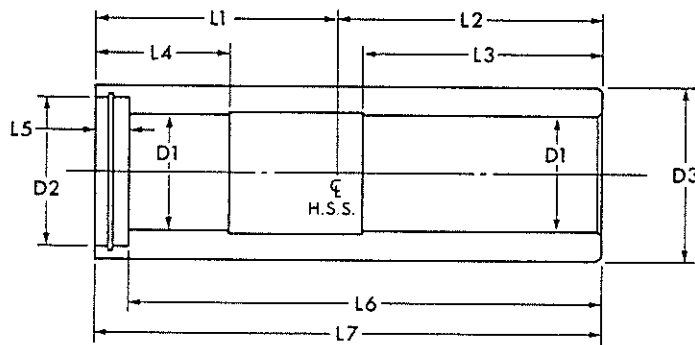
Dimensions — Inches

UNIT SIZE	Shaft-Dia.		Radius ±.010	LD	LA	LB	LC	P +.000 -.005	R	Snap Ring ¹ (L.S. Shaft Down Only)	Thrust Plate			Fastener Length		Keyway			Key		
	D +.000 -.002	DA Min.									S	U	T	W ²	H +.010 -.000	L	W	H	L		
											Shaft Down	Shaft Up									
1100	5.374	6.500	.125	23.30	5.61	3.64	4.64	.870	1.62	600	.750-10	3.500	1.560	2.25	4.00	1.000	.453	16.000	1.000	.750	15.00
1200	5.999	7.250	.125	24.70	6.24	4.04	4.70	1.000	2.13	675	1.125-7	3.500	2.250	2.75	4.75	1.500	.750	17.500	1.500	1.000	16.00
1300	6.749	8.250	.125	27.10	6.64	4.34	5.45	1.000	2.25	775	1.250-7	4.000	2.500	3.00	5.00	1.500	.500	18.500	1.500	1.000	17.00
1400	7.499	9.250	.125	28.70	6.99	4.39	5.90	1.250	2.50	875	1.250-7	4.750	2.500	3.25	5.50	1.500	.500	19.500	1.500	1.000	18.00
1500	8.499	10.250	.125	31.10	6.84	3.99	5.73	1.490	2.99	975	1.500-6	5.000	3.000	4.00	6.50	1.500	.500	22.500	1.500	1.000	21.00

¹ TRUARC N5000 Series snap ring size.

² Unit Sizes: 1100-1200: +.0035", -.0000", Unit Sizes 1300-1500: +.0040", -.0000".

Unit Shaft



Dimensions — inches

UNIT SIZE	Shaft-Diameters			L3	L4	L5	L6	L7	Gap Between Shaft & Plate	
	D1 +.002 -.000	D2 +.010 -.000	D3						Std. Assy.	Opt. Assy.
	1100	5.375	6.000						7.00	13.06
1200	6.000	6.750	7.75	13.20	6.50	2.100	24.800	26.900	.10	2.20
1300	6.750	7.750	9.00	15.00	6.90	2.200	27.200	29.400	.10	2.30
1400	7.500	8.750	10.00	15.65	7.25	2.500	28.800	31.300	.10	2.60
1500	8.500	9.750	11.50	17.30	7.10	2.750	31.250	34.000	.15	2.90