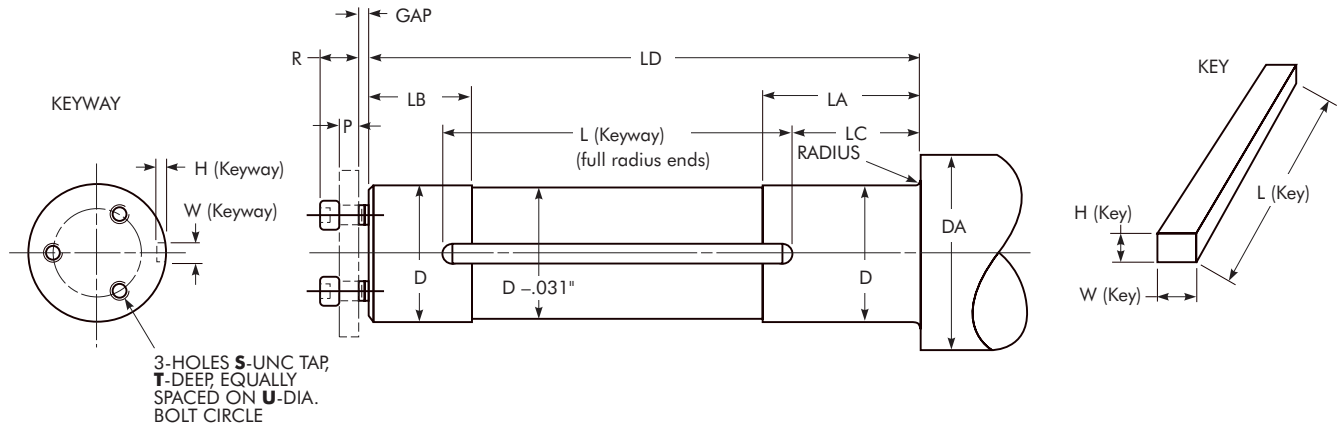
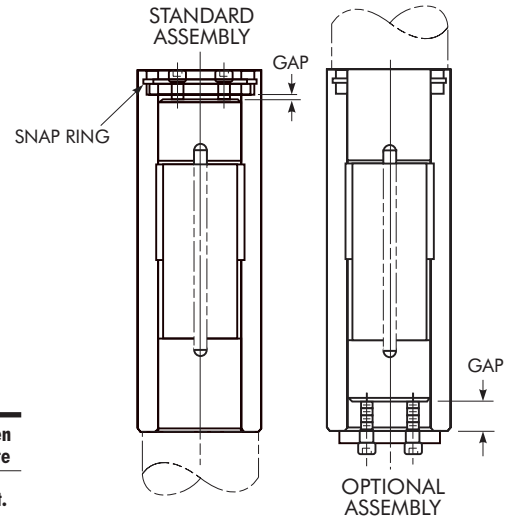
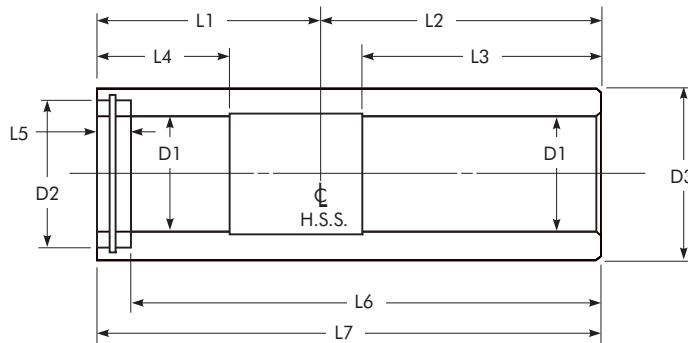


**DRIVEN SHAFT**

**DIMENSIONS — INCHES**

DRIVE SIZE	Shaft-Dia.		Radius ±.010	LD	LA	LB	LC	P +.000 -.005	R	Snap Ring † (L.S. Shaft Down Only)	Thrust Plate			Fastener Length		Keyway		Key			
	D +.000 -.002	DA Min.									S	T	U	W ‡	H +.010 -.000	L	W	H	L		
																				Shaft Down	Shaft Up
<b>300</b>	2.624	3.625	.125	18.30	5.75	4.44	5.06	.495	.87	306	.375-16	.750	1.750	1.25	2.25	.500	.188	9.500	.500	.375	9.00
<b>400</b>	3.124	4.250	.125	17.30	3.75	2.24	3.16	.620	1.00	375	.375-16	.750	2.250	1.25	2.50	.500	.188	12.500	.500	.375	12.00
<b>500</b>	3.624	4.625	.125	19.90	4.00	2.62	3.38	.750	1.25	412	.500-13	.750	2.500	1.50	3.00	.500	.188	14.500	.500	.375	14.00
<b>600</b>	4.124	5.000	.125	20.90	3.62	2.06	2.88	.750	1.25	450	.500-13	.750	2.750	1.50	3.00	.750	.250	16.750	.750	.500	16.00
<b>700</b>	4.624	5.875	.125	23.50	4.25	2.40	3.24	.870	1.50	537	.625-11	.875	3.250	1.75	3.50	.875	.312	18.875	.875	.625	18.00
<b>800</b>	5.124	6.500	.125	24.70	4.75	2.76	3.90	.870	1.62	600	.750-10	1.125	3.500	2.00	3.75	.875	.312	18.875	.875	.625	18.00
<b>900</b>	5.374	6.500	.125	24.70	4.75	2.76	3.84	.870	1.62	600	.750-10	1.125	3.500	2.00	3.75	1.000	.453	19.000	1.000	.750	18.00

† TRUARC N5000 Series snap ring size.

‡ Drive Sizes 300-500: +.0025", -.0000", Drive Sizes 600-900: +.003", -.000".

**DRIVE SHAFT**

**DIMENSIONS — INCHES**

DRIVE SIZE	Shaft-Diameters			L1	L2	L3	L4	L5	L6	L7	Gap Between Shaft & Plate	
	D1 +.002 -.000	D2 +.010 -.000	D3								Std. Assy.	Opt. Assy.
	<b>300</b>	2.625	3.062								3.75	6.86
<b>400</b>	3.125	3.750	4.25	8.83	9.99	10.82	4.00	1.400	17.420	28.82	.12	1.52
<b>500</b>	3.625	4.125	5.00	9.38	12.13	12.75	4.25	1.500	20.010	21.51	.11	1.61
<b>600</b>	4.125	4.500	5.25	10.48	12.02	13.38	3.88	1.500	21.000	22.50	.10	1.60
<b>700</b>	4.625	5.375	6.50	11.72	13.63	14.85	4.50	1.750	23.600	25.35	.10	1.85
<b>800</b>	5.125	6.000	7.00	12.30	14.40	15.70	5.00	1.875	24.825	26.70	.12	2.00
<b>900</b>	5.375	6.000	7.00	12.30	14.40	15.70	5.00	1.875	24.825	26.70	.12	2.00