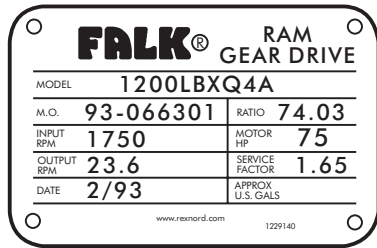


### Introduction

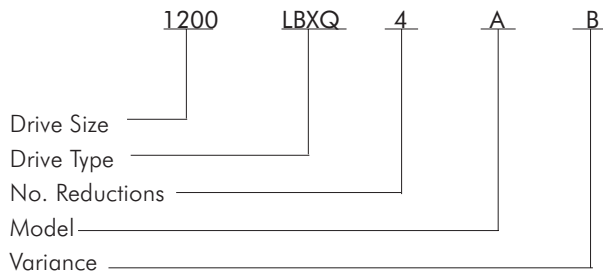
This parts guide is designed to assist in ordering replacements parts for standard Type "LBXQ" right angle quadruple reduction gear drives with a vertical high speed shaft and a vertical hollow low speed shaft. Consult Factory for special or modified drives.

1. **IDENTIFY DRIVE** — Record Drive Model, Ratio, and M.O. Number from nameplate.

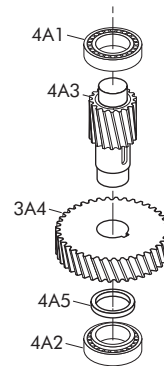
### Sample Nameplate



### Gear Drive Identification



2. **IDENTIFY INDIVIDUAL PARTS** — Use exploded view on Page 2 to determine Ref. No. of required parts.



Ref. No.	Part Description
4A1	Bearing
4A2	Bearing
4A3	Pinion & Shaft
4A5	Spacer

### 4A ASSEMBLY

*NOTE: Replace seals, shims, and gaskets whenever reassembling a reducer. Shim-gaskets are available only in kits; see reference number 100.*

3. **HOW TO USE THIS GUIDE** — Use the Part Ref. No. (Step 2) and the drive Model No. (Step 1) to determine the part description and use this information to order the required parts.
4. **ORDER REPLACEMENT** — Place your order with your local Rexnord Representative or Distributor. If you need assistance call the number below.

### Bearing & Seal Identification

Refer to the exploded views on Page 2 to identify the bearings and oil seals by the parts list Reference Number. Then refer to tables 2 thru 5, Pages 3 & 4, to determine the Manufacturer and Manufacturer's part number.

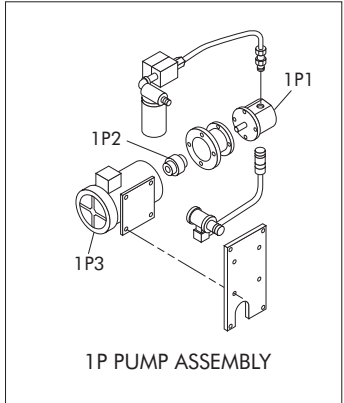
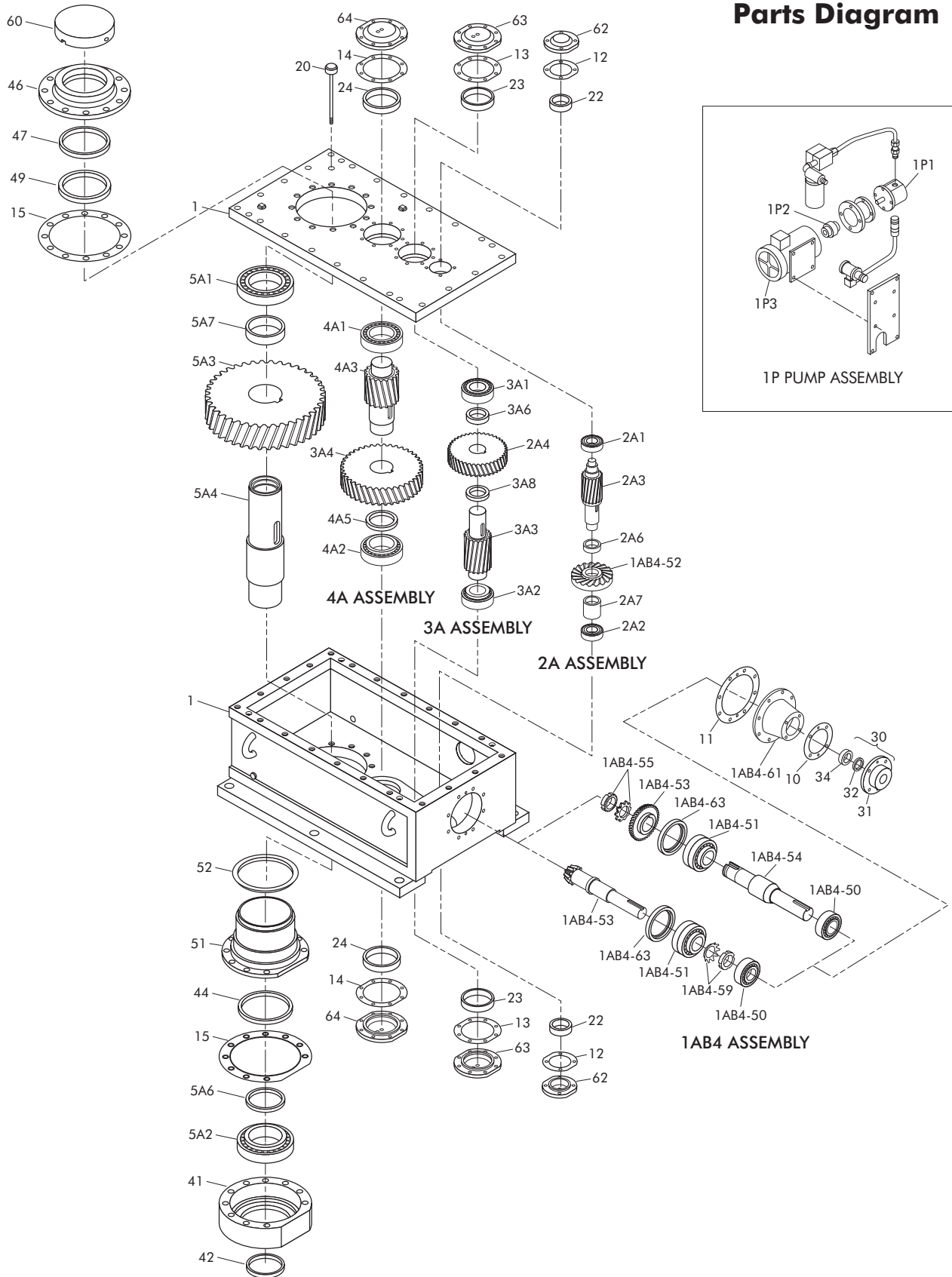
### Corrosion Protection & Storage

**CAUTION:** Follow guidelines below to avoid damage to parts.

1. For domestic or indoor storage, the Factory provides standard 24 month protection as boxed or optional 24 month protection for individual parts.
2. For export or outdoor storage, the Factory provides optional 18 month protection.

**CAUTION:** This protection does not cover exposure to elements such as standing water, etc.

### Parts Diagram



**TABLE 1 — Parts List**

Ref No	Part Description
1	Housing - Cover & Base
10	Shim-Gasket
11	Shim-Gasket
12	Shim-Gasket
13	Shim-Gasket
14	Shim-Gasket
15	Shim-Gasket
20	Dipstick
22	Spacer
23	Spacer
24	Spacer
30	Seal Cage Assembly (Includes Ref Nos 31 thru 33)
31	Seal Cage
32	Seal
34	Seal
41	Bearing/Seal Cage
42	Seal
44	Seal
46	Seal Cage
47	Seal
49	Seal
51	Oil Dam
52	Seal
60	Shaft Cover
62	Shaft Cover
63	Shaft Cover
64	Shaft Cover
100	Shim-Gasket Kit (Includes Ref Nos 10, 11, 12, 13, 14 & 15)
<b>H.S. SHAFT ASSEMBLY — WITH INTEGRAL PINION</b>	
1AB4	Shaft Assembly (Includes Ref Nos 1AB4-50 thru 1AB4-63 & Ref No 30)
1AB4-50	Bearing
1AB4-51	Bearing
1AB4-52	Bevel Gear (Matched set with 1AB4-53)
1AB4-53	Bevel Pinion & Shaft (Matched set with 1AB4-52)
1AB4-59	Locknut & Washer
1AB4-61	Bearing Cage
1AB4-63	Threaded Ring
<b>H.S. SHAFT ASSEMBLY — WITH BORED PINION</b>	
1AB4	Shaft Assembly (Includes Ref Nos 1AB4-50 thru 1AB4-63 & Ref No 30)
1AB4-50	Bearing
1AB4-51	Bearing
1AB4-52	Bevel Gear (Matched set with 1AB4-53)
1AB4-53	Bevel Pinion (Matched set with 1AB4-52)
1AB4-54	Shaft
1AB4-55	Locknut & Washer
1AB4-61	Bearing Cage
1AB4-63	Threaded Ring
<b>EXTERNAL LUBRICATION PUMP</b>	
1P	Pump Assembly
1P1	Pump
1P2	Coupling
1P3	Motor
<b>1st INTERMEDIATE SHAFT ASSEMBLY</b>	
2A	Shaft Assembly (Includes Ref Nos 2A1 thru 2A7 less 1AB4-52)
2A1	Bearing
2A2	Bearing
2A3	Pinion & Shaft
2A4	Gear (Included with Ref No 3A)
2A6	Spacer (Size 1300)
2A7	Spacer
<b>INTERMEDIATE SHAFT ASSEMBLY</b>	
3A	Shaft Assembly (Includes Ref Nos 3A1 thru 3A8 & 2A4)
3A1	Bearing
3A2	Bearing
3A3	Pinion & Shaft
3A4	Gear (Included with Ref No 4A)
3A6	Spacer
3A8	Spacer

(Continued in Column 2)

**Parts List — (Continued from Column 1)**

Ref No	Part Description
4A	L.S. PINION ASSEMBLY
4A1	Shaft Assembly (Includes Ref Nos 4A1 thru 4A5 & 3A4)
4A2	Bearing
4A3	Pinion & Shaft
4A5	Spacer
<b>L.S. SHAFT ASSEMBLY</b>	
5A	Shaft Assembly (Includes Ref Nos 5A1 thru 5A7)
5A1	Bearing
5A2	Bearing
5A3	Gear
5A4	Hollow Shaft
5A6	Spacer (Size 1100 only)
5A7	Spacer

**TABLE 2 — Oil Seals/Falk Part Numbers**

DRIVE SIZE	Reference Number						
	32	34	42	44	47	49	52
1100	913010	913011	912816	912767	912816	912833	2912858
1200	913018	912946	912767	912827	2913531	912767	2913534
1300	913018	912946	912578	912580	912672	912578	2912448
1400	912993	912993	912580	912550	912580	912940	2912803
1500	912993	912994	912550	912808	912550	2913168	2913172

**TABLE 3 — Seal Manufacturer's Part Numbers ★**

Part No	Chicago Rawhide	Johns-Manville	National
912550	CRWH1-115021	9019LUP	...
912578	HDS5-91135	16554LUP	455476
912580	...	9830LPD	455270
912672	CRP 90006	11552LPD	...
912767	CRWH 77540	...	...
912808	HSD1-1300570	...	...
912816	CRWH 70016	10063LPD	455517
912827	CRWH 85009	10371LUP	455489
912833	CRWH 70052	11577LPD	455084
912940	...	17846LDS	417020
912946	CRW 17558 (V)	4465LUP H5/L16 (V)	...
912993	CRWH 24914 (V)	9790LUP H5/L16 (V)	450519V
912994	CRWH 24984 (V)	10208LUP H5/L16 (V)	...
913010	CRW 14861 (V)	11654LUP H5/L16 (V)	...
913011	CRW 14940 (V)	12184LUP H5/L16 (V)	481507V
913018	CRW 17379 (V)	14849LUP H5/L16 (V)	...
2912448	402750	...	...
2912803	403250	...	...
2912858	402002	...	...
2913168	CRWH 115041	...	...
2913172	403500	...	...
2913531	CRSH 77530	...	...
2913534	402500	...	...

★ Subject to substitution of equivalent seals without notice. Manufacturer's part numbers ending in V or (V) denote high temperature seals.



**TABLE 4 — Bearings/Falk Part Numbers**

DRIVE SIZE	1AB4-50	1AB4-51	2A1	2A2	3A1	3A2	4A1 4A2	5A1 5A2
1100	920671	921816	★	921629	921809	921809	921899	921331
1200	920615	921820	921878	921878	■	■	921552	921759
1300	920615	921820	†	921301	921678	◆	921443	2912892
1400	919242	921815	‡	921855	921443	*	921541	2912802
1500	919242	921817	•	921895	921541	921459	921470	2913166

- ★ Ratios 81.14 thru 298.5 = 921629; Ratios 321.0 thru 349.4 = 921888.
- † Ratios 76.12 thru 253.2 = 921301; Ratios 297.7 thru 345.0 = 921319.
- ‡ Ratios 75.46 thru 267.0 = 921855; Ratios 303.2 thru 355.2 = 921856.
- Ratios 74.30 thru 266.4 = 921895; Ratios 288.2 thru 341.4 = 921734.
- ◆ Ratios 281.3 = 921494; All other ratios = 921895.
- ♦ Ratios 90.04 & 107.4 = 921678; All other ratios = 921899.
- \* Ratios 75.46, 87.07, 113.4, 130.8, & 172.2 thru 355.2 = 921551; Ratios 90.70, 104.7, 137.8, & 159.0 = 921443.

**TABLE 5 — Bearing Cross Reference Numbers ★**

Falk Part No.	Manufacturer's Number
<b>SPHERICAL ROLLER BEARINGS</b>	
919242	22313-W33/C3
<b>TAPERED ROLLER BEARINGS</b>	
921301	623/612
921319	619/612
921331	HM237545/HM237510
921443	HH221449/HH221410
921459	HH224335/HH224310
921470	HH228349/HH228310
921494	H715336/H715311
921541	HH224346/HH224310
921551	HH221430/HH221410
921552	HH421246C/HH421210
921629	3780/3720
921678	850/832
921734	H715341/H715311
921759	JHM840449/JHM840410
921809	5583/5535
921855	5584/5535
921856	5578/5535
921878	529X/522
921888	3782/3720
921895	H715346/H715311
921899	843/832
2912802	EE275100/275155
2912892	EE130902/131400
2913166	EE722115/722185
<b>CYLINDRICAL ROLLER BEARINGS (ND-HYATT) †</b>	
920615	U-5309TS
920671	U-5208TS
<b>DOUBLE ROW (TDO) TAPERED ROLLER BEARINGS (TIMKEN) ‡</b>	
921815	9285-90022
921816	55200-90091
921817	9380-90015
921820	72225C-907A1

- ★ Rexnord suppliers of bearings are:  
Tapered Roller Bearings — Timken, Bower and Tyson  
Spherical Roller Bearings — Torrington, SKF, FAG & PTC (Link Belt)
- † Other Rexnord suppliers of bearings that are considered equal to those listed are: Tapered Roller Bearings — Bower and Tyson  
Cylindrical Roller Bearings — Bower, SKF, Rollway, FAG & FMC (Link Belt)
- ‡ Double row (TDO) tapered roller bearings must be purchased per the manufacturer's assembly part number or Falk part number to obtain correct bearing end play.