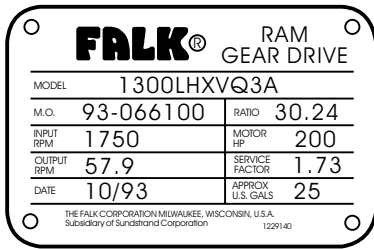


### Introduction

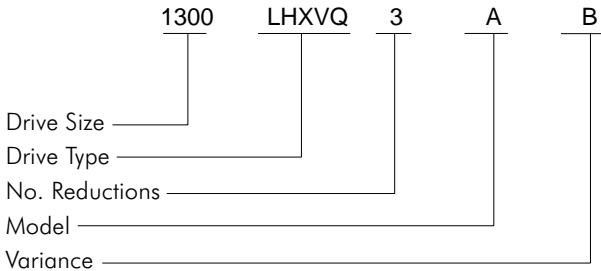
This parts guide is designed to assist in ordering replacements parts for standard Type "LHXVQ" triple reduction gear drives with a vertical high speed shaft and a vertical hollow low speed shaft. Consult Falk for special or modified drives.

1. IDENTIFY DRIVE — Record Drive Model, Ratio, and M.O. Number from nameplate.

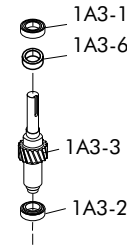
### Sample Nameplate



### Gear Drive Identification



2. IDENTIFY INDIVIDUAL PARTS — Use exploded view on [Page 2](#) to determine Ref. No. of required parts.



Ref. No.	Part Description
1A3-1	Bearing
1A3-2	Bearing
1A3-3	Pinion & Shaft
1A3-6	Spacer

1A3 ASSEMBLY

*NOTE: Replace seals, shims, and gaskets whenever reassembling a reducer. Shim-gaskets are available only in kits; see [reference number 100](#).*

3. HOW TO USE THIS GUIDE — Use the Part Ref. No. (Step 2) and the drive Model No. (Step 1) to determine the part description and use this information to order the required parts.
4. ORDER REPLACEMENT — Place your order with your local Falk Representative or Distributor. If you need assistance call the number below.

### Bearing & Seal Identification

Refer to the exploded views on [Page 2](#) to identify the bearings and oil seals by the parts list Reference Number. Then refer to [tables 2 thru 5, Page 3](#), to determine the Manufacturer and Manufacturer's part number.

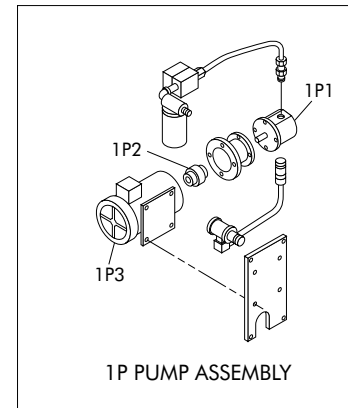
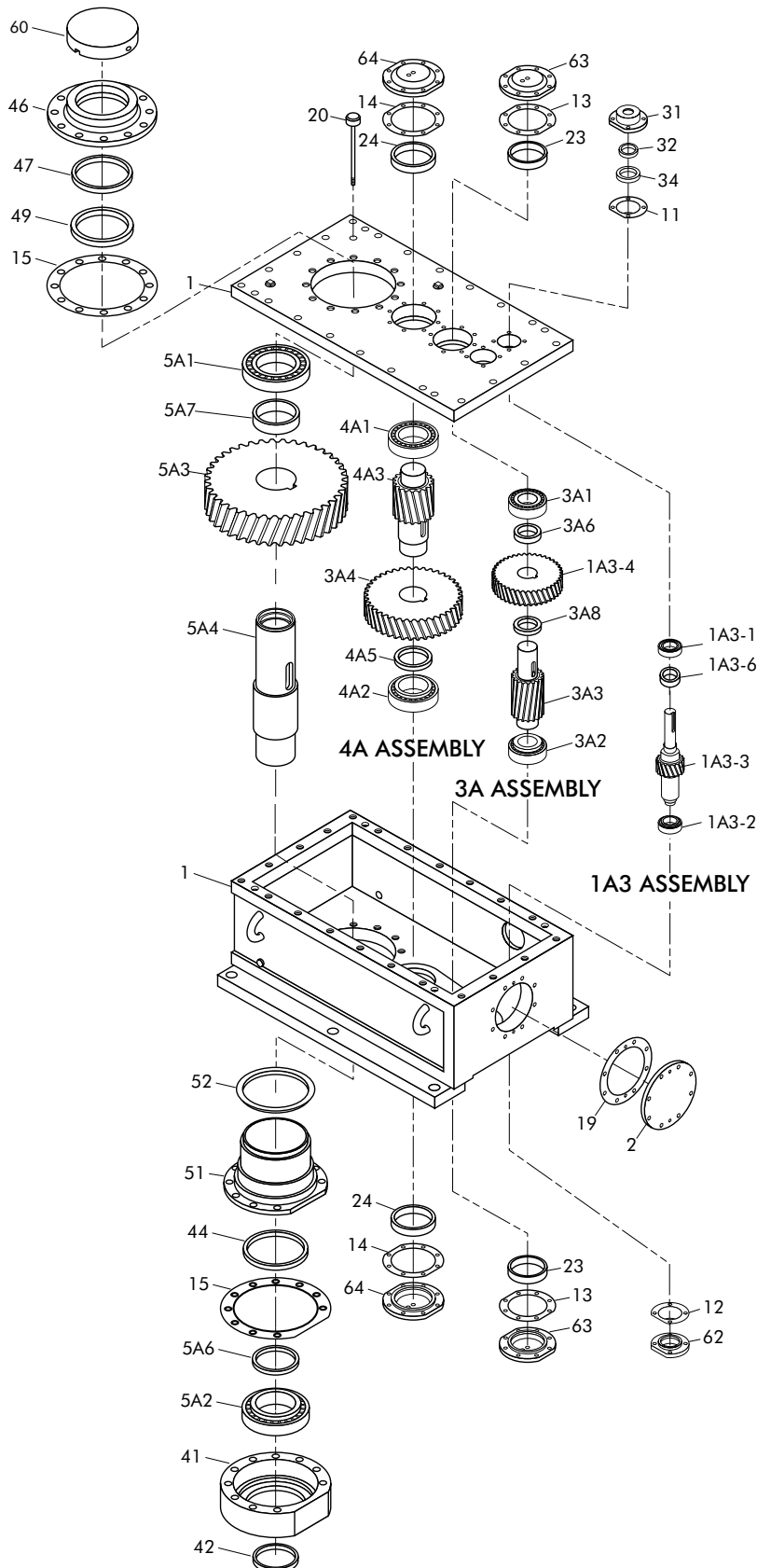
### Corrosion Protection & Storage

**CAUTION:** Follow guidelines below to avoid damage to parts.

1. For domestic or indoor storage, Falk provides standard 24 month protection as boxed or optional 24 month protection for individual parts.
2. For export or outdoor storage, Falk provides optional 18 month protection.

**CAUTION:** This protection does not cover exposure to elements such as standing water, etc.

Parts Diagram



**TABLE 1 — Parts List**

Ref No	Part Description
1	Housing - Cover & Base
2	End Cover
12	Shim-Gasket
13	Shim-Gasket
14	Shim-Gasket
15	Shim-Gasket
19	Shim-Gasket
20	Dipstick
23	Spacer
24	Spacer
31	Seal Cage
32	Seal
34	Seal
41	Bearing/Seal Cage
42	Seal
44	Seal
46	Seal Cage
47	Seal
49	Seal
51	Oil Dam
52	Seal
60	Shaft Cover
62	Shaft Cover
63	Shaft Cover
64	Shaft Cover
100	Shim-Gasket Kit (Includes Ref Nos 12, 13, 14, 15 & 19)
<b>H.S. SHAFT ASSEMBLY</b>	
1A3	Shaft Assembly (Includes Ref Nos 1A3-1, 1A3-2, 1A3-3 & 1A3-6)
1A3-1	Bearing
1A3-2	Bearing
1A3-3	Pinion & Shaft
1A3-4	Gear (Included with Ref No 3A)
1A3-6	Spacer
<b>EXTERNAL LUBRICATION PUMP</b>	
1P	Pump Assembly
1P1	Pump
1P2	Coupling
1P3	Motor
<b>INTERMEDIATE SHAFT ASSEMBLY</b>	
3A	Shaft Assembly (Includes Ref Nos 3A1 thru 3A8 & 1A3-4)
3A1	Bearing
3A2	Bearing
3A3	Pinion & Shaft
3A4	Gear (Included with Ref No 4A)
3A6	Spacer
3A8	Spacer (Sizes 1100 & 1200)
<b>L.S. PINION ASSEMBLY</b>	
4A	Shaft Assembly (Includes Ref Nos 4A1 thru 4A5 & 3A4)
4A1	Bearing
4A2	Bearing
4A3	Pinion & Shaft
4A5	Spacer
<b>L.S. SHAFT ASSEMBLY</b>	
5A	Shaft Assembly (Includes Ref Nos 5A1 thru 5A7)
5A1	Bearing
5A2	Bearing
5A3	Gear
5A4	Hollow Shaft
5A6	Spacer (Size 1100 only)
5A7	Spacer

**TABLE 2 — Oil Seals/Falk Part Numbers**

DRIVE SIZE	Reference Number						
	32	34	42	44	47	49	52
1100	912948	912949	912816	912767	912816	912833	2912858
1200	912948	912949	912767	912827	2913531	912767	2913534
1300	912991	912992	912578	912580	912672	912578	2912448
1400	912993	912994	912580	912550	912580	912940	2912803
1500	913012	913013	912550	912808	912550	2913168	2913172

**TABLE 3 — Seal Manufacturer's Part Numbers**

Part No	Chicago Rawhide	Johns-Manville	National
912550	CRWH1-115021	9019LUP	...
912578	HD55-91135	16554LUP	455476
912580	...	9830LPD	455270
912672	CRP 90006	11552LPD	...
912767	CRWH 77540	...	...
912808	HDS1-1300570	10093LUP	...
912816	CRWH 70016	10063LPD	45517
912827	CRWH 85009	10371LUP	455489
912833	CRWH 70052	11577LPD	455084
912940	...	17846LDS	417020
912948	CRW 198263 (V)	10755LPD H5/L16 (V)	...
912949	CRWH 20002 (V)	10757LPD H5/L16 (V)	...
912991	CRW 22363 (V)	10289LUP H5/L16 (V)	483323V
912992	CRWH 22449 (V)	6336LUP H5/L16 (V)	...
912993	CRWH 24914 (V)	9790LUP H5/L16 (V)	450519V
912994	CRWH 24984 (V)	10208LUP H5/L16 (V)	...
913012	...	5961LUP H5/L16 (V)	455281V
913013	CRWH 29958 (V)	6423LUP H5/L16 (V)	455013V
2912448	402750	...	...
2912803	403250	...	...
2912858	402002	...	...
2913168	CRWH 115041	...	...
2913172	403500	...	...
2913531	CRSH 77530	...	...
2913534	402500	...	...

**TABLE 4 — Bearings/Falk Part Numbers**

DRIVE SIZE	1A3-1/1A3-2	3A1	3A2	4A1/4A2	5A1/5A2
<b>1100</b>	921629	921809	921809	■	921331
<b>1200</b>	921878	★	★	921552	921759
<b>1300</b>	921301	921678	†	921443	2912892
<b>1400</b>	921855	921443	‡	921541	2912802
<b>1500</b>	921895	921541	●	921470	2913166

- ★ Ratio 85.24 = 921494; All other ratios = 921895.
- † Ratios 22.96 thru 33.34 & 41.07 = 921678;
- Ratio 37.96 & 45.39 thru 104.6 = 921899.
- ‡ Ratios 22.21 thru 47.27 = 921443; Ratios 51.20 thru 105.6 = 921551.
- Ratios 22.88 thru 50.07 = 921541; Ratios 57.96 thru 102.0 = 921459.
- Ratios 22.32 thru 39.10 = 921899; Ratios 42.56 thru 105.9 = 921899.

**TABLE 5 — Bearing Manufacturer's Part Numbers**

Falk Part No.	Manufacturer's No. ♦
<b>921301</b>	623/612
<b>921331</b>	HM237545/HM237510
<b>921443</b>	HH221449/HH221410
<b>921459</b>	HH224335/HH224310
<b>921470</b>	HH228349/HH228310
<b>921494</b>	H715336/H715311
<b>921541</b>	HH224346/HH224310
<b>921551</b>	HH221430/HH221410
<b>921552</b>	HH421246/HH421210
<b>921629</b>	3780/3720
<b>921678</b>	850/832
<b>921759</b>	JHM840449/JHM840410
<b>921809</b>	5583/5535
<b>921855</b>	5584/5535
<b>921878</b>	529X/522
<b>921895</b>	H715346/H715311
<b>921899</b>	843/832
<b>2912802</b>	EE275100/275155
<b>2912892</b>	EE130902/131400
<b>2913166</b>	EE722115/722165

♦ Falk suppliers of tapered roller bearings are Timken, Bower and Tyson.