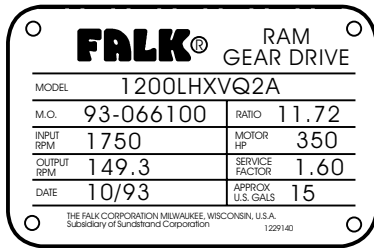


### Introduction

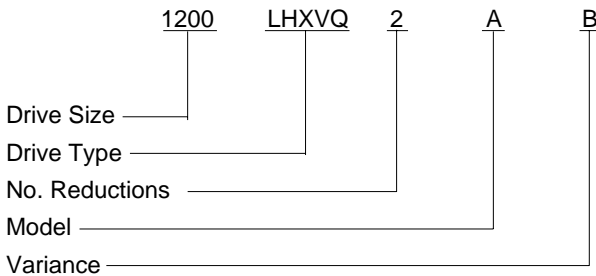
This parts guide is designed to assist in ordering replacements parts for standard Type "LHXVQ" double reduction gear drives with a vertical high speed shaft and a vertical hollow low speed shaft. Consult Falk for special or modified drives.

1. IDENTIFY DRIVE — Record Drive Model, Ratio, and M.O. Number from nameplate.

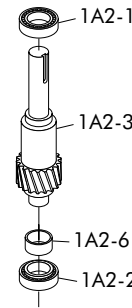
### Sample Nameplate



### Gear Drive Identification



2. IDENTIFY INDIVIDUAL PARTS — Use exploded view on [Page 2](#) to determine Ref. No. of required parts.



Ref. No.	Part Description
1A2-1	Bearing
1A2-2	Bearing
1A2-3	Pinion & Shaft
1A2-6	Spacer

### 1A2 ASSEMBLY

*NOTE: Replace seals, shims, and gaskets whenever reassembling a reducer. Shim-gaskets are available only in kits; see reference number 100.*

3. HOW TO USE THIS GUIDE — Use the Part Ref. No. (Step 2) and the Drive Model No. (Step 1) to determine the part description and use this information to order the required parts.
4. ORDER REPLACEMENT — Place your order with your local Falk Representative or Distributor. If you need assistance call the number below.

### Bearing & Seal Identification

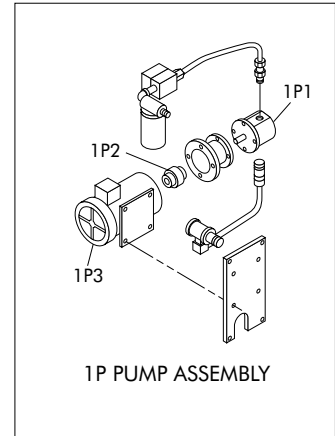
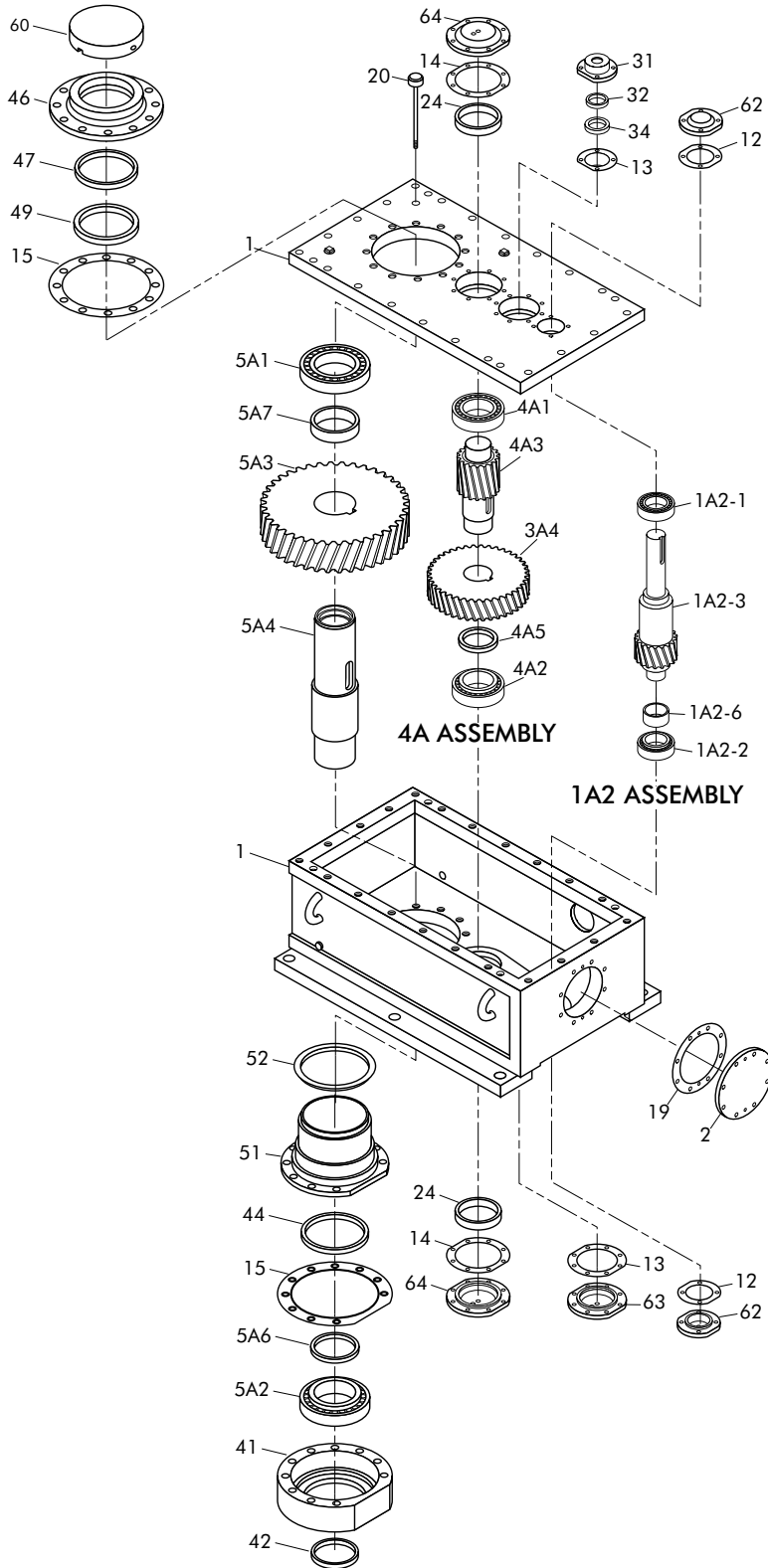
Refer to the exploded views on [Page 2](#) to identify the bearings and oil seals by the parts list Reference Number. Then refer to [tables 2 thru 5, Page 3](#), to determine the Manufacturer and Manufacturer's part number.

### Corrosion Protection & Storage

- CAUTION: Follow guidelines below to avoid damage to parts.*
1. For domestic or indoor storage, Falk provides standard 24 month protection as boxed or optional 24 month protection for individual parts.
  2. For export or outdoor storage, Falk provides optional 18 month protection.

*CAUTION: This protection does not cover exposure to elements such as standing water, etc.*

Parts Diagram



**TABLE 1 — Parts List**

Ref No	Part Description
1	Housing - Cover & Base
2	End Cover
12	Shim-Gasket
13	Shim-Gasket
14	Shim-Gasket
15	Shim-Gasket
19	Shim-Gasket
20	Dipstick
24	Spacer
31	Seal Cage
32	Seal
34	Seal
41	Bearing/Seal Cage
42	Seal
44	Seal
46	Seal Cage
47	Seal
49	Seal
51	Oil Dam
52	Seal
60	Shaft Cover
62	Shaft Cover
63	Shaft Cover
64	Shaft Cover
100	Shim-Gasket Kit (Includes Ref Nos 12, 13, 14, 15 & 19)
	<b>H.S. SHAFT ASSEMBLY</b>
1A2	Shaft Assembly (Includes Ref Nos 1A2-1, 1A2-2, 1A2-3 & 1A2-6)
1A2-1	Bearing
1A2-2	Bearing
1A2-3	Pinion & Shaft
1A2-4	Gear (Included with Ref No 4A)
1A2-6	Spacer
	<b>EXTERNAL LUBRICATION PUMP</b>
1P	Pump Assembly
1P1	Pump
1P2	Coupling
1P3	Motor
	<b>L.S. PINION ASSEMBLY</b>
4A	Shaft Assembly (Includes Ref Nos 4A1 thru 4A5 & 1A2-4)
4A1	Bearing
4A2	Bearing
4A3	Pinion & Shaft
4A5	Spacer
	<b>L.S. SHAFT ASSEMBLY</b>
5A	Shaft Assembly (Includes Ref Nos 5A1 thru 5A7)
5A1	Bearing
5A2	Bearing
5A3	Gear
5A4	Hollow Shaft
5A6	Spacer (Size 1100 only)
5A7	Spacer

**TABLE 2 — Bearings/Falk Part Numbers**

DRIVE SIZE	Reference Number		
	1A2-1/1A2-2	4A1/4A2	5A1/5A2
1100	921855	921899	921331
1200	921895	921552	921759
1300	921678	921443	2912892
1400	921443	921541	2912802
1500	921541	921470	2913166

**TABLE 3 — Oil Seals/Falk Part Numbers**

DRIVE SIZE	Reference Number						
	32	34	42	44	47	49	52
1100	912993	912994	912816	912767	912816	912833	2912858
1200	913012	913013	912767	912827	2913531	912767	2913534
1300	912995	912996	912578	912580	912672	912578	2912448
1400	912997	912998	912580	912550	912580	912940	2912803
1500	913014	913015	912550	912808	912550	2913168	2913172

**TABLE 4 — Seal Manufacturer's Part Numbers**

Part No	Chicago Rawhide	Johns-Manville	National
912550	CRWH1-115021	9019LUP	...
912578	HDS5-91135	16554LUP	455476
912580	...	9830LPD	455270
912672	CRP 90006	11552LPD	...
912767	CRWH77540	...	...
912808	HDS1-1300570	10093LUP	...
912816	CRWH 70016	10063LPD	45517
912827	CRWH 85009	10371LUP	455489
912833	CRWH 70052	11577LPD	455084
912940	...	17846LDS	417020
912993	CRWH 24914 (V)	9790LUP H5/L16 (V)	450519V
912994	CRWH 24984 (V)	10208LUP H5/L16 (V)	...
912995	CRWH 34892 (V)	11197LUP H5/L16 (V)	...
912996	...	8821LPD H5/L16 (V)	...
912997	CRWH 39932 (V)	7199LUP H5/L16 (V)	456967V
912998	CRWH 39996 (V)	5489LPD H5/L16 (V)	...
913012	...	5961LUP H5/L16 (V)	455281V
913013	CRWH 29958 (V)	6423LUP H5/L16 (V)	455013V
913014	CRWH 44973 (V)	9170LUP H5/L16 (V)	455200V
913015	...	11709LUP H5/L16 (V)	...
2912448	402750	...	...
2912803	403250	...	...
2912858	402002	...	...
2913168	CRWH 115041	...	...
2913172	403500	...	...
2913531	CRSH 77530	...	...
2913534	402500	...	...

**TABLE 5 — Bearing Manufacturer's Part Numbers**

Falk Part No.	Manufacturer's No. ★
921331	HM237545/HM237510
921443	HH221449/HH221410
921470	HH228349/HH228310
921541	HH224643/HH224310
921552	HH421246/HH421210
921678	850/832
921759	JHM840449/JHM840410
921855	5584/5535
921895	H715346/H715311
921899	843/832
2912802	EE275100/275155
2912892	EE130902/131400
2913166	EE722115/722185

★ Falk suppliers of tapered roller bearings are Timken, Bower and Tyson.