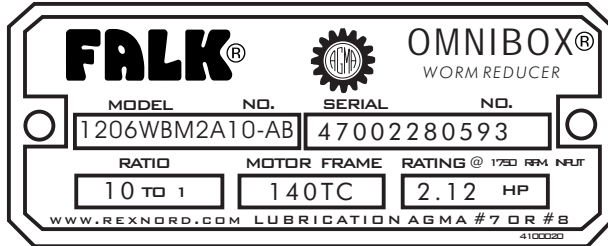


### Introduction

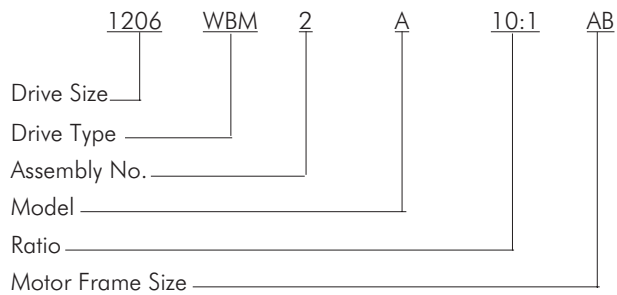
This parts guide is designed to assist in ordering replacement parts for standard single reduction Falk Omnibox worm gear drives.

- IDENTIFY DRIVE** — Record Drive Size, Model, Serial Number, Ratio, motor frame, and date from nameplate.

### Sample Nameplate



### Worm Gear Drive Identification

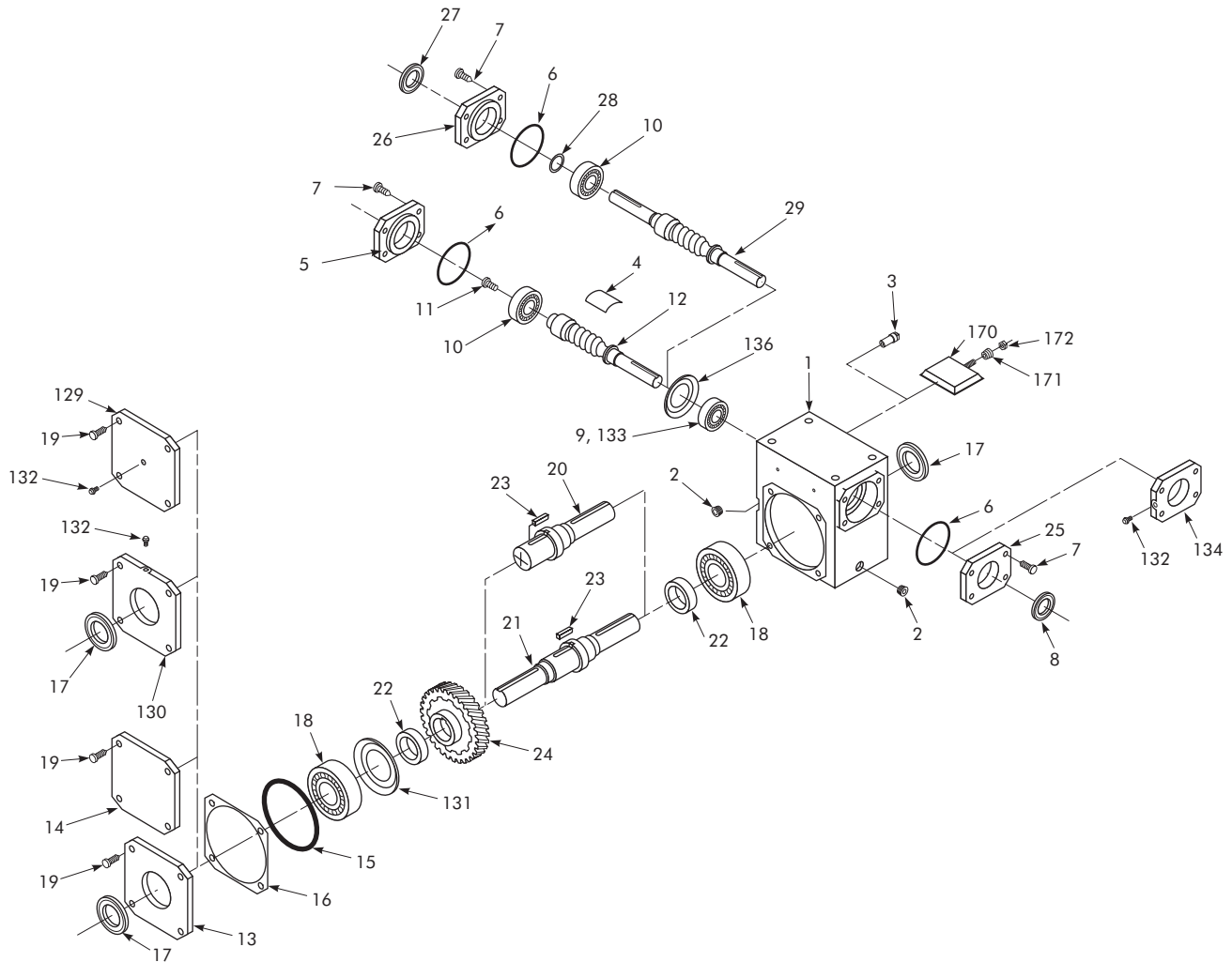


- IDENTIFY INDIVIDUAL PARTS** — Use exploded view on Page 2 to determine Ref. No. of required parts.

### Bearing & Seal Identification

Refer to the exploded view on Page 2 to identify bearings and oil seals by the parts list Reference Number. Then refer to Tables 8, 9, and 10 to determine the Manufacturer and Manufacturer's part number.

### Basic Single Reduction Drive



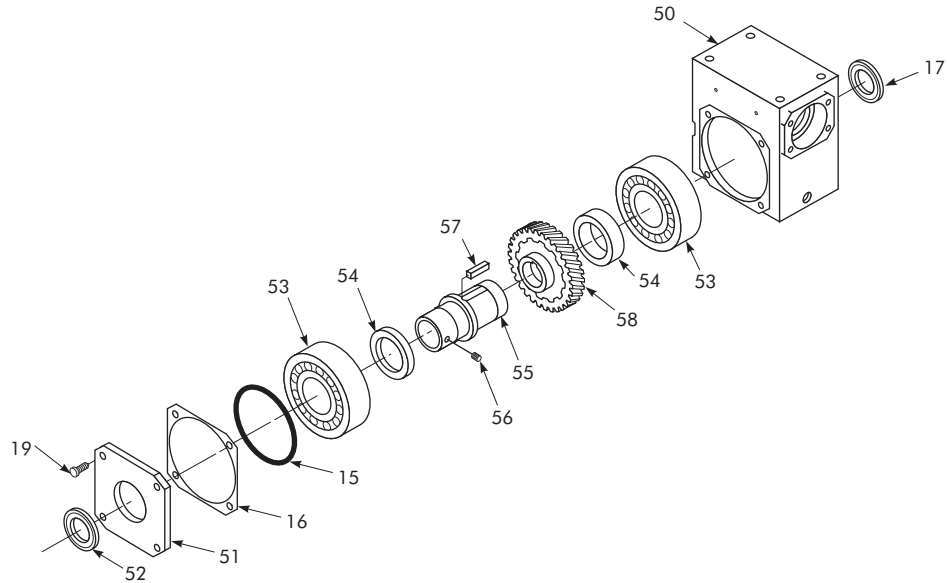
**TABLE 1 — Basic Single Reduction Drive**

Ref. No.	Part Description	Ref. No.	Part Description
1	Gear Housing	21	Double Output Shaft †
2	Pipe Plug	22	Gear Spacer
3	Vent Plug	23	Gear Key (only used on Size 1262 and larger drives).
4	Splash Guard	24	Output Gear (supplied only with output shaft on Sizes 1133 through 1238 drives).
5	Input Cover	25	Input cover (only used on Sizes 1425 and larger drives).
6	O-Ring	26	Input Cover
7	Hex Head Cap Screw	27	Input Oil Seal
8	Input Oil Seal	28	Retaining Ring – Shaft ★
9	Input Bearing	29	Double Input Shaft
10	Input Bearing	129	Output Cover ● ■
11	Retaining Screw ★	130	Output Cover ● ■
12	Input Shaft	131	Output Bearing Grease Retainer ● ■
13	Output Cover	132	Grease Fitting ●
14	Output Cover	133	Sealed Ball Bearing (only used on Sizes 1175 through 1262). ●
15	O-Ring	134	Input Cover ● ◆
16	Output Cover Gasket (as required)	136	Input Bearing Grease Retainer ● ◆
17	Output Oil Seal	170	Equalizing System (optional)
18	Output Bearing	171	Equalizing System Stem Plug
19	Hex Head Cap Screw	172	Equalizing System Stem Nut
20	Single Output Shaft †		

★ Not used on Drive Size 1425 and larger drives.  
 † Supplied only with output gear on Sizes 1133 through 1238  
 ● Supplied only when mounting position involves a vertical shaft.

■ Only used on Size 1425 and larger drives.  
 ◆ Only used on Size 1300 and larger drives.

## Hollow Output Shaft Drive



**TABLE 2 — Hollow Output Shaft Drive**

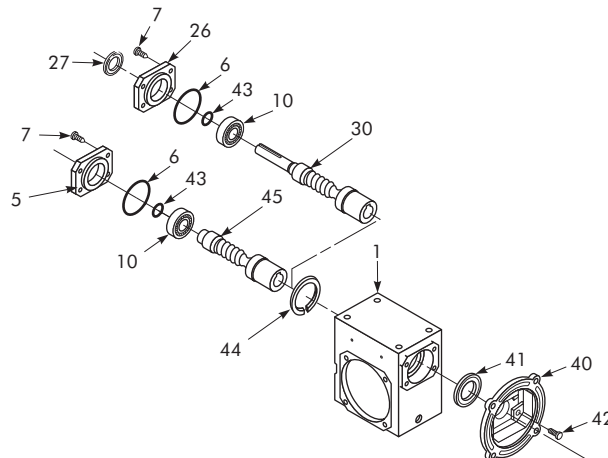
Ref No.	Part Description
15	O-Ring
16	Output Cover Gasket (as required)
19	Hex Head Cap Screw
50	Gear Housing
51	Output Cover
52	Output Oil Seal
53	Output Bearing
54	Gear Spacer
55	Output Shaft †
56	Setscrew
57	Gear Key (only used on Size 1262 and larger drives).
58	Output Gear (supplied only with output shaft on Size 1133 through 1238 drives).

† Supplied only with output gear on Sizes 1133 through 1238.

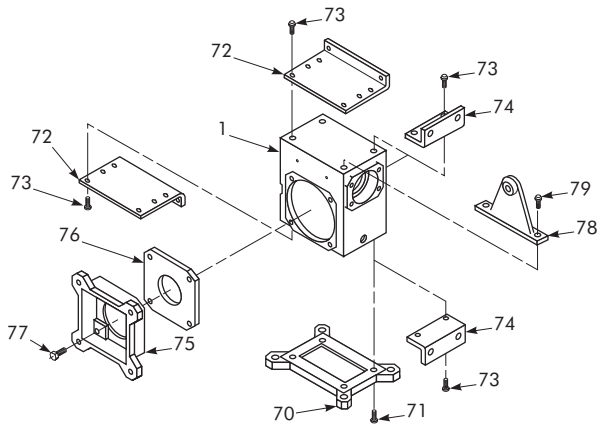
**TABLE 3 — Motorized Hollow Input Drive**

Ref No.	Part Description
1	Gear Housing
5	Input Cover
6	O-Ring
7	Hex Head Cap Screw
10	Input Bearing
26	Input Cover
27	Input Oil Seal
30	Double Input Shaft
40	Quill Motor Flange
41	Input Oil Seal
42	Hex Head Cap Screw
43	Retaining Ring – Shaft
44	Retaining Ring – Housing (only used on Size 1425 and larger drives).
45	Quill Input Shaft

## Motorized Hollow Input Drive



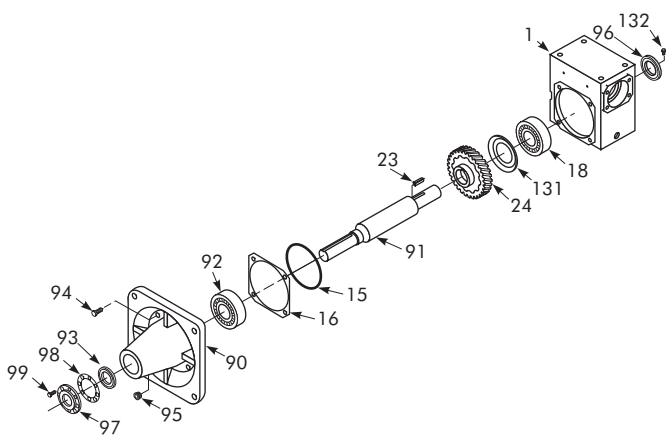
### Mounting Options



**TABLE 4 — Mounting Options**

Ref No.	Part Description
70	Horizontal Mounting Foot
71	Cap Screw
72	High and Low Riser Bracket
73	Hex Head Cap Screw
74	"J" Mount Bracket
75	Output Flange
76	Machine Faced Output cover (only used on Size 1238 and larger solid output shaft drives).
77	Hex Head Cap Screw
78	Torque Bracket
79	Hex Head Cap Screw

### Extended Output Shaft Drive



**TABLE 5 — Extended Output Shaft Drive**

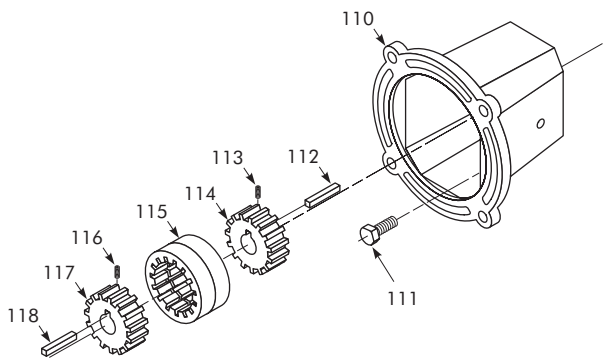
Ref No.	Part Description
1	Gear Housing
15	O-Ring
16	Output Cover Gasket (as required)
18	Output Bearing
23	Gear Key (only used on Sizes 1262 and larger drives).
24	Output Gear
90	Flange
91	Output Shaft
92	Bearing
93	Output Oil Seal
94	Hex Head Cap Screw
95	Pipe Plug
96	Expansion Plug
97	Flange Cover ‡
98	Gasket ‡
99	Hex Head Cap Screw ‡
131	Output Bearing Grease Retainer • ■
132	Grease Fitting ●

‡ Used only on Size 1525 and larger drives.

● Supplied only when mounting position involves a vertical shaft.

■ Only used on Size 1425 and larger drives.

### Motor Flange and Coupling Kit



**TABLE 6 — Motor Flange and Coupling Kit**

Ref No.	Part Description
110	"C" Face Motor Flange
111	Hex Head Cap Screw
112	Coupling Key – Drive Shaft
113	Setscrew – Drive Shaft
114	Coupling Gear – Drive shaft
115	Coupling Sleeve
116	Setscrew – Motor Shaft
117	Coupling Gear – Motor Shaft
118	Coupling Key – Motor Shaft

**TABLE 7 — Vertical Shaft Required Parts •**

Ref No.	Part Description
129	Output Cover ■
130	Output Cover ■
131	Output Bearing Grease Retainer ■
132	Grease Fitting
133	Sealed Ball Bearing (only used on Sizes 1175 through 1262).
134	Input Cover ◆
136	Input Bearing Grease Retainer ◆

- Supplied only when mounting position involves a vertical shaft.
- Only used on Size 1425 and larger drives.
- ◆ Only used on Size 1300 and larger drives.

**TABLE 8 — Bearing Manufacturers' Part Numbers**

DRIVE SIZE	Ref. No. 9	Ref. No. 10	Ref. No. 18	Ref. No. 53
1133	203	204	L44643/L44610	L44643/L44610
1154	203	204	L44643/L44610	L44643/L44610
1175	203	204	L44643/L44610	JL69349/JL69310
1206	203	204	L44643/L44610	JLM104948/JLM104910
1238	204	304	LM48548/LM48510	JLM104948/JLM104910
1262	205	305	LM48548/LM48510	JLM104948/JLM104910
1300	205 ★	305 ★	LM501349/LM501310	395A/394A
1325	205 ★	305 ★	LM501349/LM501310	395A/394A
1425	LM48548/LM485410	LM48548/LM48510	JLM104948/JLM104910	29685/29620
1525	LM603049/LM603011	LM603049/LM603011	387A/382A	JM822049/JM822010
1600	Timken HM903249 HM903210	Timken HM903249 HM903210	Timken 3984 3920	Timken JM822010 JM822049

★ Indicates larger ball complement, enhanced heat treatment bearing, Koyo Corp., Type "RSH2".



**TABLE 9 — Seal Manufacturers' Part Numbers**

DRIVE SIZE	Ref. No. 8 †	Ref. No. 17 †	Ref. No. 27 †	Ref. No. 52 †
1133	CRWAI-534948	CRWAI-534953	CRWAI-6383	CRWAI-534953
1154	CRWAI-534948	CRWAI-534953	CRWAI-6383	CRWAI-534953
1175	CRWAI-534948	CRWAI-534953	CRWAI-6383	CRWAI-14259
1206	CRWAI-534948	CRWAI-9939	CRWAI-6383	CRWAI-19227
1238	CRWAI-534956	CRWAI-534955	CRWAI-7624	CRWAI-19227
1262	CRWAI-534949	CRWAI-534955	CRWAI-9308	CRWAI-19227
1300	CRWAI-534949	CRWAI-14994	CRWAI-9308	CRWAI-25076
1325	CRWAI-534949	CRWAI-14994	CRWAI-9308	CRWAI-25076
1425	CRWAI-534950	CRWAI-18737	CRWAI-534950	CRWAI-27272
1525	CRWAI-534950	CRWAI-19995	CRWAI-534950	CRWAI-534954
1600	CR16246	CR24898 ‡	...	CR42528

† All seals are Chicago Rawhide.

‡ L.S. Seal for Type WR drives, Size 1600 = CR24898

**TABLE 10 — Seal Manufacturers' Part Numbers**

DRIVE SIZE	Ref. No. 41 †				
	48C	56C/140TC	180TC	210TC	250TC
1133	CRWAI-534951	CRWAI-534951	...	...	...
1154	CRWAI-534951	CRWAI-534951	...	...	...
1175	CRWAI-534951	CRWAI-534951	...	...	...
1206	CRWAI-534951	CRWAI-534951	...	...	...
1238	...	CRWAI-534952	CRWAI-534958	...	...
1262	...	CRWAI-534957	CRWAI-534957	CRWAI-534957	...
1300	...	CRWAI-534957	CRWAI-534957	CRWAI-534957	...
1325	...	CRWAI-534957	CRWAI-534957	CRWAI-534957	...
1425	...	CRWAI-534957	CRWAI-22361	...	CRWAI-22361
1525	...	CRWAI-53497	CRWAI-22361	...	CRWAI-22361
1600	CR19832	CR19832	CR19832	CR19832	CR22354

**TABLE 10 — Seal Manufacturers' Part Numbers (Continued)**

DRIVE SIZE	Ref. No. 41 †				
	D71D	D80D	D110	D112	D132D
1133	...	...	...	...	...
1154	...	...	...	...	...
1175	...	...	...	...	...
1206	...	...	...	...	...
1238	CRWAI-534952	CRWAI-534952	CRWAI-534952	...	...
1262	...	...	...	...	...
1300	...	...	...	...	...
1325	...	...	...	...	...
1425	...	CRWAI-534957	CRWAI-534957	CRWAI-534957	CRWAI-22361
1525	...	CRWAI-53497	CRWAI-53497	CRWAI-53497	CRWAI-22361
1600	...	...	...	...	...