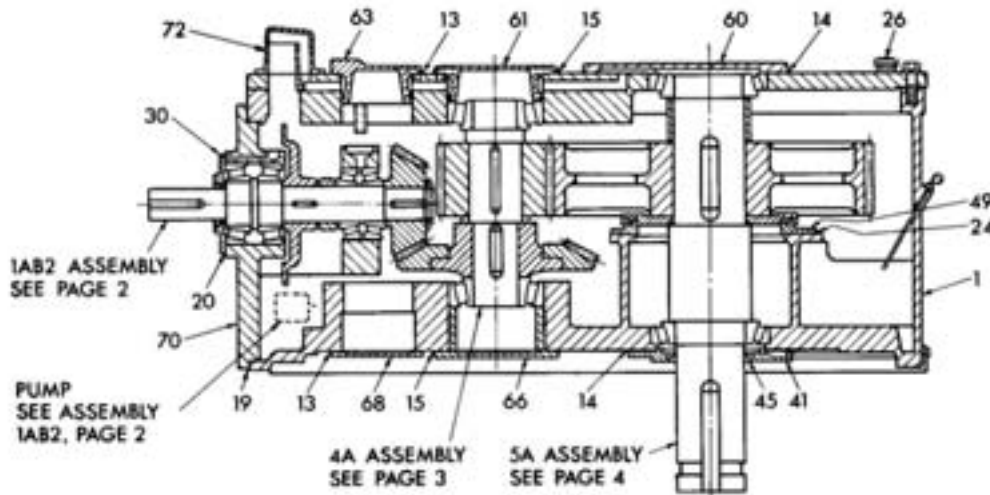
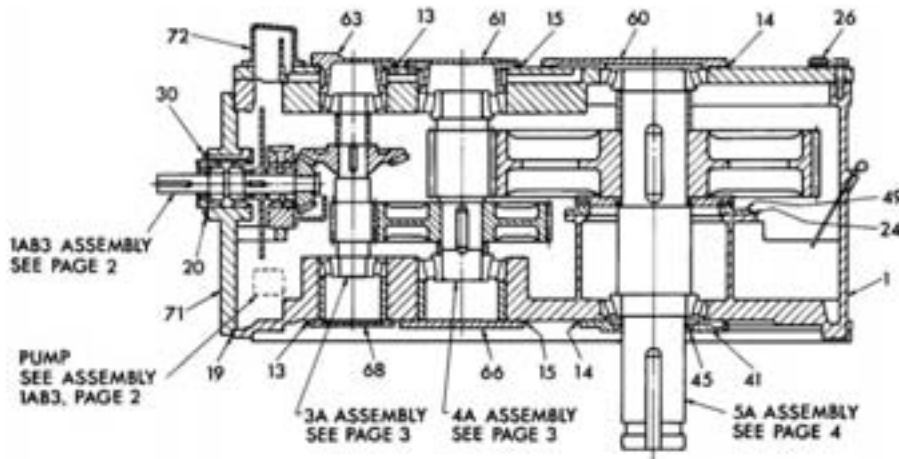
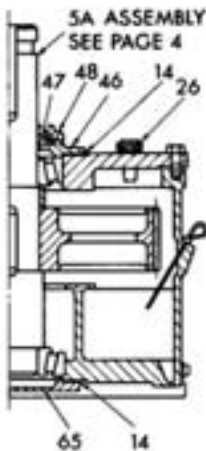


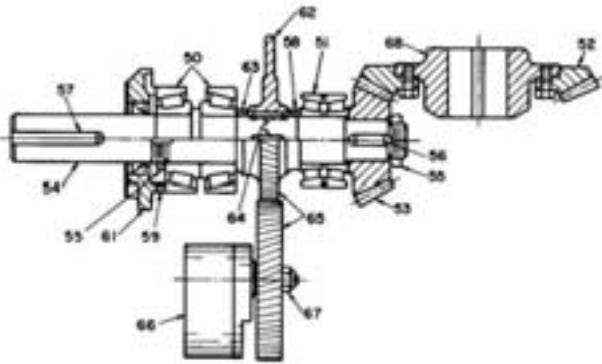
**Housing Parts — Double Reduction — Low Speed Shaft Down**

**Housing Parts — Triple Reduction — Low Speed Shaft Down**

**Double & Triple Reduction — Low Speed Shaft Up**

**TABLE 1 — Housing Parts List**

Ref. No.	Part Description	Ref. No.	Part Description
1	Housing (consisting of Base & Cover and all hardware)	41	Cage, Seal - Lower, L.S.
13	Shim-Gasket, Int. Pinion	45	Seal, Oil - Lower, L.S.
14	Shim-Gasket, L.S. Gear	46	Cage, Seal - Upper, L.S.
15	Shim-Gasket, L.S. Pinion	47	Seal, Oil - Upper, L.S.
19	Shim-Gasket, H.S. Bearing Cage	48	Guard, Seal - Oil, L.S.
20	Shim-Gasket, H.S. Pinion	49	Seal, Vapor, L.S.
24	Gasket, Seal, Vapor	60	Cover, End - Upper, L.S.
26	Vent, Air	61	Cover, End - Upper, L.S. Pinion
30	H.S. Seal Cage Assembly ▲	63	Cover, End - Upper, Int.
31	Cage, Seal - Inner, H.S.	65	Cover, End - Lower, L.S.
32	Cage, Grease-Purged, H.S.	66	Cover, End - Lower, L.S. Pinion
33	Baffle Ring, H.S.	68	Cover, End - Lower, Int.
35	Seal, Exclusion or Oil, H.S.	70	Head, H.S., with Fasteners
		71	Head, H.S., with Fasteners
		72	Distributor, Oil
		100	Shim-Gasket Kit (Includes Ref. Nos. 13, 14, 15, 19, 20 & 5A11)

▲ See Page 2 for details of seal assembly

**NOTE:** Drawings are representative of this series of drives and may not agree in exact detail with each drive size. When ordering spare parts, give complete nameplate data: Model, M.O., HP, RPM, Date and Ratio with part Reference No. and Description as stated herein.

**1AB Bevel Pinion Shaft Assembly** ♦



**NOTE:** Bevel gearing is case hardened after cutting, and subsequently lapped in matched and marked sets to ensure proper tooth contact. Unless bevel pinions and gears are installed as matched sets, in accordance with the instructions in Rexnord service manuals, Rexnord cannot be responsible for the rating, life, noise or performance of the parts or the products receiving them.

Pinions are solid on shaft for some ratios.

Drives are furnished with either oil pump or oil slinger, depending upon size and ratio.

**Reference 30 Seal Assemblies**

Identify your seal assembly by matching all the parts of the assembly with one of Figures 1 or 2 below. Make certain you match each part of the assembly as only one of the Figures shown will match.

MODEL A or B

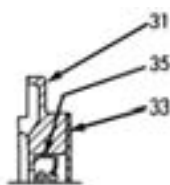


Figure 1

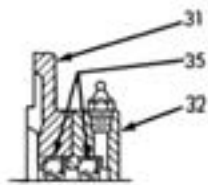


Figure 2

**TABLE 2 — Bevel Pinion Shaft Assembly Parts List**

Reference No. & Reduction		Part Description
Double	Triple	
1AB2-50	1AB3-50	Bearing (2), H.S. Shaft
1AB2-51	1AB3-51	Bearing (2), H.S. Shaft
1AB2-52	1AB3-52	Gear, Bevel Pinion & Bevel
1AB2-53	1AB3-53	Furnished as a set only.
1AB2-54	1AB3-54	Shaft, H.S.
1AB2-55	1AB3-55	Nut, Lock (Pinion or Bearing)
1AB2-56	1AB3-56	Key, Bevel Pinion *
1AB2-57	1AB3-57	Key, H.S. Extension
1AB2-58	1AB3-58	Spacer, Inner Bearing *
1AB2-59	1AB3-59	Spacer *
1AB2-61	1AB3-61	Seal Cage Assembly — See Ref. 30 on Page 1 and Below
1AB2-62	1AB3-62	Stinger, Oil (See Note)
1AB2-63	1AB3-63	Spacer, Outer Bearing *
1AB2-64	1AB3-64	Key, Oil Stinger or Pump Gear
1AB2-65	1AB3-65	Gears, Pump
1AB2-66	1AB3-66	Pump Assembly (See Note)
1AB2-67	1AB3-67	Nut, Hex Lock
1AB2-68	1AB3-68	Hub, Bevel Gear *

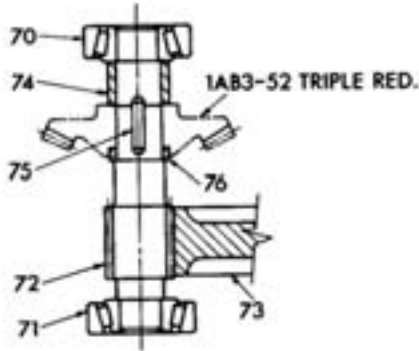
Also order Shim-Gasket Kit (Ref. No. 100) listed on Page 1.

\* Used for some sizes and ratios.

**TABLE 3 — Seal Assembly Parts List**

Ref. No.	Part Description
31	Cage, Seal – Inner, H.S. or L.S.
32	Cage, Grease-Purged, H.S. or L.S.
33	Baffle Ring, H.S. or L.S.
35	Seal, Exclusion or Oil, H.S. or L.S.

♦ Shaft assemblies can be furnished assembled if requested. However, for periods of extended storage, this is not recommended; parts, especially bearings, are more effectively protected against rust in their original packages.

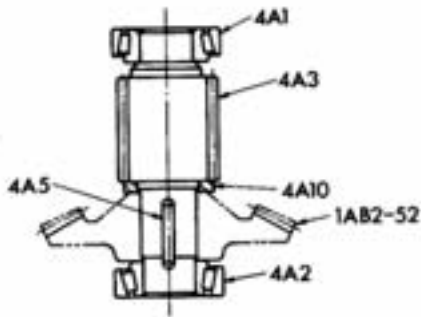
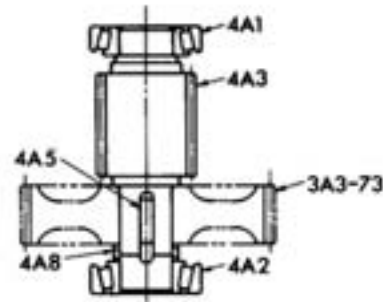
**3A 1st Intermediate Shaft Assemblies ♦ — Triple Reduction Only**

**TABLE 4 — 3A 1st Intermediate Shaft Assembly Parts List**

Ref. No.	Part Description
3A3-70	Bearing, 1st Int. Shaft
3A3-71	Bearing, 1st Int. Shaft
3A3-72	Pinion with Shaft, 1st Int.
3A3-73	Gear, 1st Int.
3A3-74	Spacer, Bevel Gear
3A3-75	Key, Bevel Gear
3A3-76	Spacer *

Also order Shim-Gasket Kit (Ref. No. 100) listed on Page 1.

\* Used for some sizes and ratios.

**NOTE:** Drawings are representative of this series of drives and may not agree in exact detail with each drive size. When ordering spare parts, give complete nameplate data: Model, M.O., HP, RPM, Date and Ratio with part Reference No. and Description as stated herein.

**4A Low Speed Shaft Assemblies ♦**

 Sizes 2070 thru 2175  
Double Reduction

 Sizes 2070 thru 2175  
Triple Reduction

**TABLE 5 — 4A Low Speed Shaft Assembly Parts List**

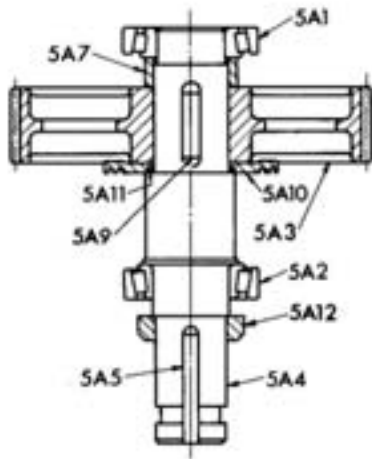
Ref. No.	Part Description
4A1	Bearing, L.S. Pinion Shaft
4A2	Bearing, L.S. Pinion Shaft
4A3	Pinion, L.S. Pinion Shaft
4A5	Key, Gear
4A8	Spacer, 1st Int. Gear
4A10	Spacer;

Also order Shim-Gasket Kit (Ref. No. 100) listed on Page 1.

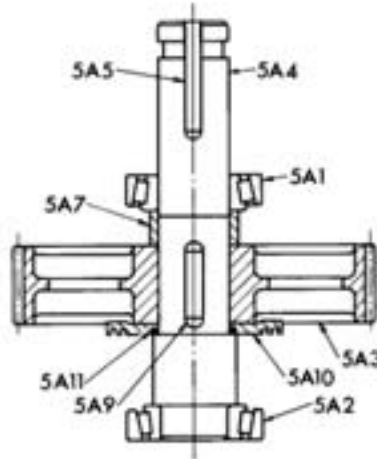
\* Used for some sizes and ratios.

♦ Shaft assemblies can be furnished assembled if requested. However, for periods of extended storage, this is not recommended; parts, especially bearings, are more effectively protected against rust in their original packages.

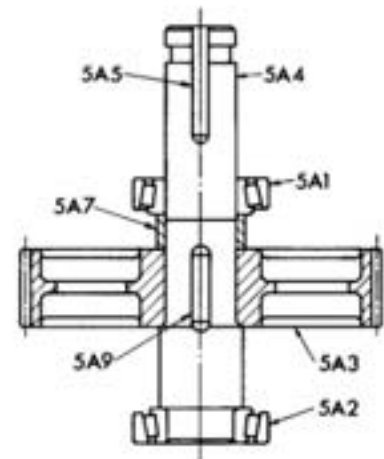
**5A Low Speed Shaft Assemblies ♦**



L.S. Shaft Down



L.S. Shaft Up  
Sizes 2070 & 2080



L.S. Shaft Up  
Sizes 2090 thru 2195

**TABLE 6 — 5A Low Speed Shaft Assembly Parts List**

Ref. No.	Part Description
5A1	Bearing, L.S. Shaft
5A2	Bearing, L.S. Shaft
5A3 ‡	Gear, L.S.
5A4 ‡	Shaft, L.S.
5A5	Key, L.S. Shaft Extension
5A7	Spacer, L.S. Gear
5A9	Key, L.S. Gear
5A10	Umbrella
5A11	Seal Ring
5A12	Sleeve, Wear — L.S. Seal *

Also order Shim-Gasket Kit (Ref. No. 100) listed on Page 1.

‡ Some low speed gears are finished (turned and cut) while assembled to their shafts. Where circumstances permit, check with Factory to determine if the gear ONLY can be supplied.

\* Used for Sizes 2070 & 2080 only.

NOTE: Drawings are representative of this series of drives and may not agree in exact detail with each drive size. When ordering spare parts, give complete nameplate data: Model, M.O., HP, RPM, Date and Ratio with part Reference No. and Description as stated herein.

♦ Shaft assemblies can be furnished assembled if requested. However, for periods of extended storage, this is not recommended; parts, especially bearings, are more effectively protected against rust in their original packages.