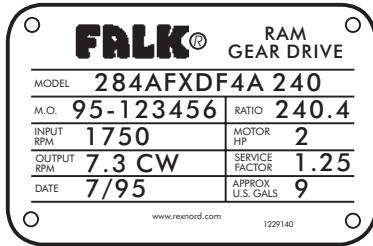


### Introduction

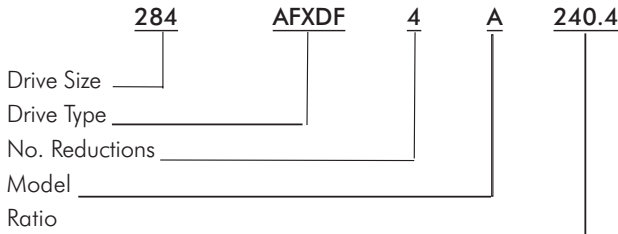
This parts guide is designed to assist in ordering replacement parts for standard Types AFXD, AFXQ and AFXU quadruple reduction (ratios 238.4 thru 1262) right angle vertical drives. Consult Factory for special or modified drives.

- IDENTIFY DRIVE** — Record Drive, Model, Ratio and M.O. Number from nameplate.

### Sample Nameplate



### Gear Drive Identification



- IDENTIFY INDIVIDUAL PARTS** — Use exploded view on Pages 2 & 3 to determine Ref. No. of required parts.



Ref. No	Part Description
1C1	Bearing
1C2	Bearing
1C3/1C4	Pinion & Shaft

*NOTE: Shaft hardware is included with shafts. Replace seals, shims, and gaskets whenever reassembling a drive.*

- HOW TO USE THIS GUIDE** — Use the Part Ref. No. (Step 2) and the drive Model No. (Step 1) to determine the part description and use this information to order the required parts.
- DOES THIS RESTRICTION APPLY?** — Components shown (in non-shaded area in Table 3, Page 5, are Factory assembled using high interference fits and CANNOT be replaced individually. Use Drive Size and Ratio to determine if this restriction applies.
- ORDER REPLACEMENT** — Place your order with your local Rexnord Representative or Distributor. If you need assistance call the number below.

### Bearing & Seal Identification

Refer to the exploded views on Pages 2 and 3 and Tables 1 and 2 on Page 4 to identify the bearings and oil seals by the parts list Reference Number. Then refer to Tables 4 thru 8, Page 5, to determine the manufacturer and manufacturer's part number.

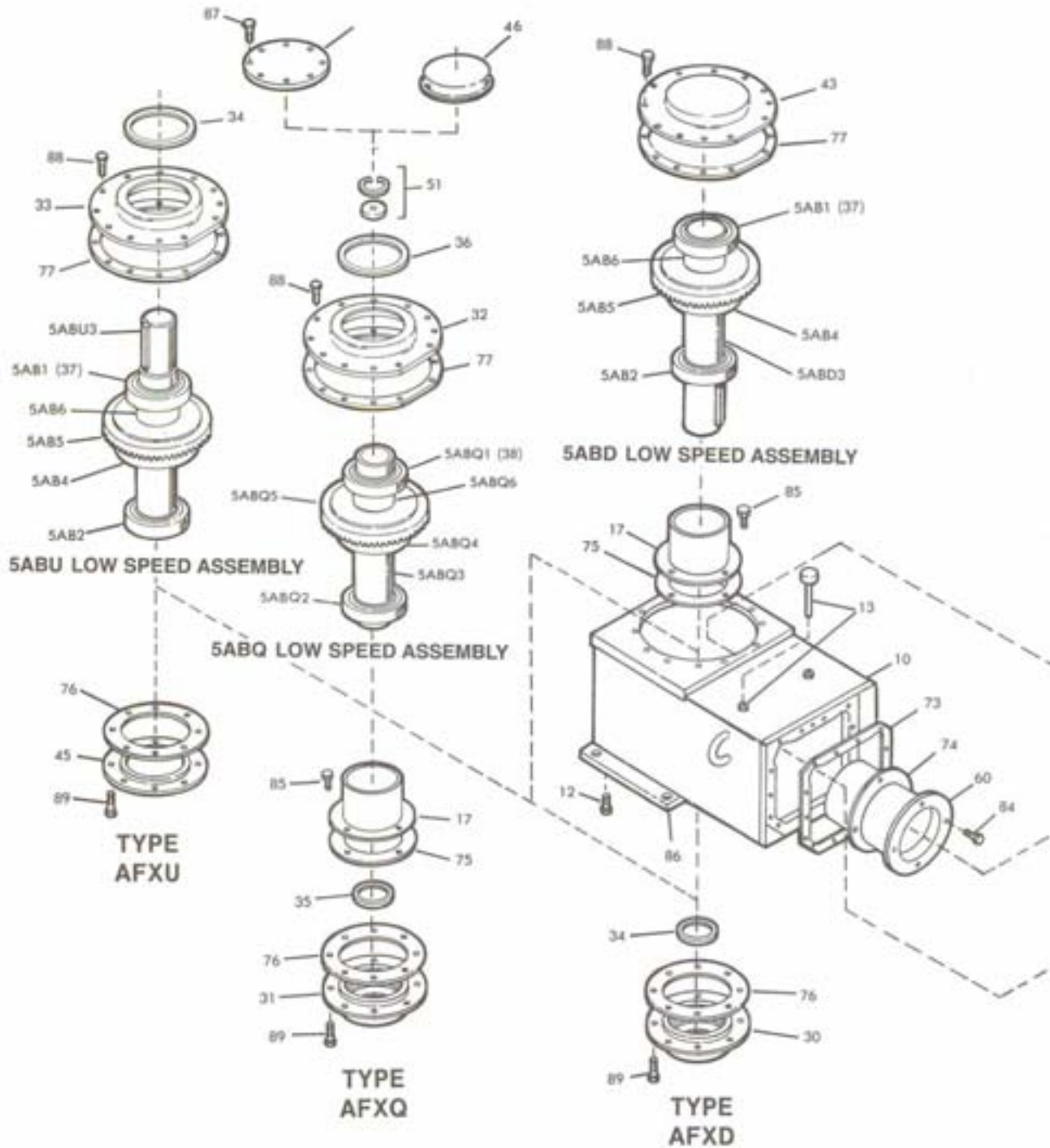
### Corrosion Protection & Storage

*CAUTION: Follow guidelines below to avoid damage to parts.*

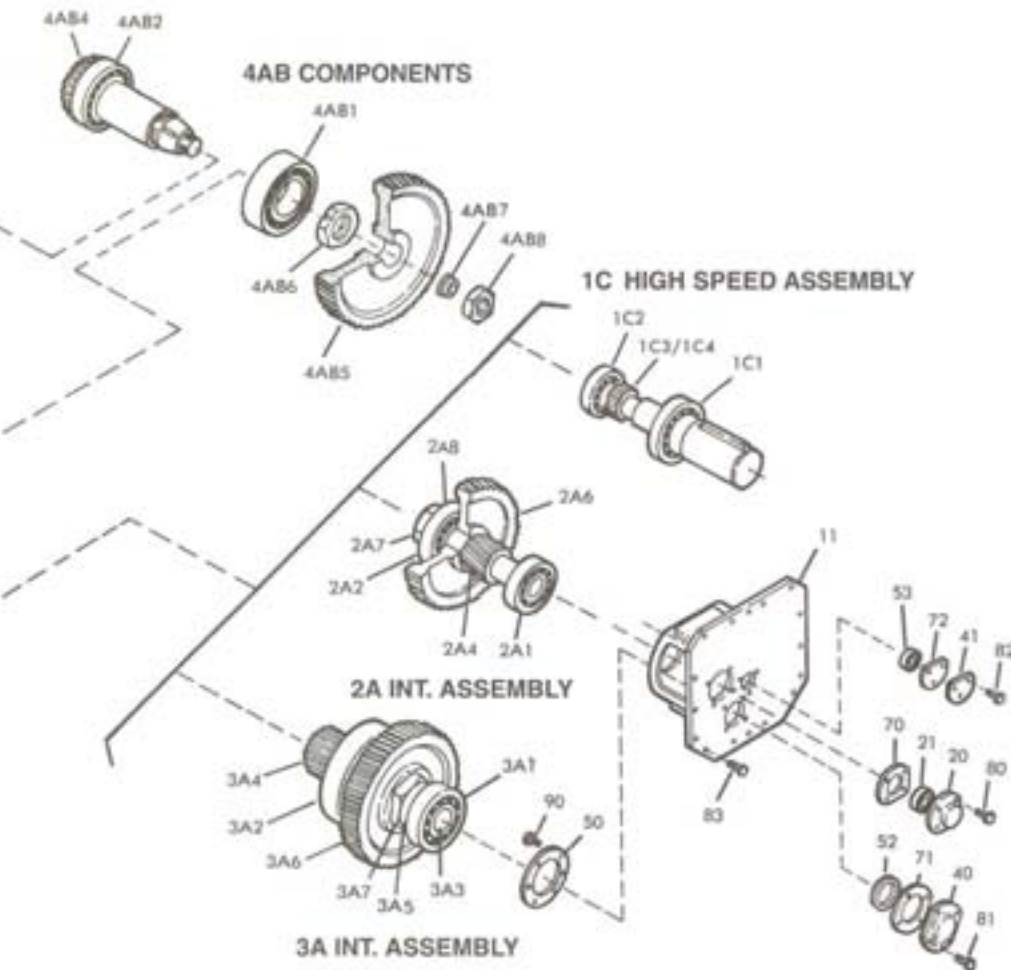
- For domestic or indoor storage, Factory provides standard 24 month protection as boxed or optional 24 month protection for individual parts.
- For export or outdoor storage, Factory provides optional 18 month protection.

*CAUTION: This protection does not cover exposure to elements such as standing water, etc.*

## Parts Diagram



Refer to Page 5 to determine the availability of individual components.



## Reference Numbers

**TABLE 1 — Housing Parts List**

Ref. No.	Part Description
10	Housing
11	Head
12	Adapter Base
13	Dipstick
17	Oil Dam
20	Seal Cage, Replace with Ref. No. 120
21	Seal
30	Seal Cage, Lower
31	Seal Cage, Lower
32	Seal Cage, Upper
33	Seal Cage, Upper
34	Seal
35	Seal, Lower
36	Seal, Upper
37	Grease Shield, Nilos
38	Grease Shield, Nilos
40	Shaft Cover (Replace with Ref. No. 140)
41	Shaft Cover (Replace with Ref. No. 141)
43	Shaft Cover, Upper
44	Shaft Cover, Upper, Size 284
45	Shaft Cover, Lower
46	Shaft Cover, Upper, Sizes 305–388
50	Thrust Plate, Sizes 357–388
51	Thrust Plate Kit
52	Spacer (Sizes 284–326)
53	Spacer, Sizes 284–357
60	Bearing Cage
70 thru 77	Shim Gaskets available as a Kit (Specify Ref. No. 100)
80 thru 90	Fasteners available as a Kit (Specify Ref. No. 110)
100	Shim-Gasket Kit (Incls. Ref. No. 70, 71, 72, 73, 74, 75, 76 & 77)
110	Fastener Kit — AFX (Incls. Ref. No. 80, 81, 82, 83, 84, 85, 87, 88, 89 & 90)
120	Seal Cage ASSEMBLY (Incls. Ref. No. 20, 21, & 70)
140	Shaft Cover Kit (Incls. Ref. No. 40, 71)
141	Shaft Cover Kit (Incls. Ref. No. 41, 72)

**TABLE 2 — Shaft Assemblies Parts List**

Ref. No.	Part Description
1C	Shaft Assembly (Incls. Ref. No. 1C1 thru 1C4)
1C1	Bearing
1C2	Bearing
1C3/1C4	Pinion & Shaft
2A	Shaft Assembly (Incls. Ref. No. 2A1 thru 2A8)
2A1	Bearing
2A2	Bearing
2A4	Pinion & Shaft
2A6	Gear
2A7	Locknut
2A8	Bearing Sleeve, Sizes 326–357
3A	Shaft Assembly (Incls. Ref. No. 3A1 thru 3A7)
3A1	Bearing
3A2	Bearing
3A3	Shaft
3A4	Pinion
3A5	Spacer, Sizes 284–326
3A6	Gear
3A7	Locknut
4AB	Bevel Pinion Shaft Components
4AB1	Bearing
4AB2	Bearing
4AB4	Bevel Pinion (Replace with Ref. 6AB/6ABQ) ★
4AB5	Gear
4AB6	Locknut & Washers
4AB7	Spacer, Size 388
4AB8	Locknut
5ABU/D	Shaft Assembly (Incls. Ref. No. 5AB1 thru 5AB6, except 5AB5)
5AB1	Bearing (Incls. Ref. No. 37)
5AB2	Bearing
5ABU3/D3	Shaft
5AB4	Umbrella
5AB5	Bevel Gear (Replace with 6AB) ★
5AB6	Spacer
6AB	Bevel Gear Set (Incls. Ref. No. 4AB4, 4AB6, 4AB8, 5AB5)
5ABQ	Shaft Assembly (Incls. Ref. No. 5ABQ1 thru 5ABQ6, except 5ABQ5 & 51)
5ABQ1	Bearing (Incls. Ref. No. 38)
5ABQ2	Bearing
5ABQ3	Shaft (Hollow)
5ABQ4	Umbrella
5ABQ5	Bevel Gear (Replace with 6ABQ) ★
5ABQ6	Spacer
6ABQ	Bevel Gear Set (Incls. Ref. No. 4AB4, 4AB6, 4AB8, 5ABQ5)

★ Bevel gear and pinion must be ordered in matched sets.

## Bearings & Seals

**FACTORY ASSEMBLED COMPONENTS** — Individual components for Drive Sizes and ratios shown in the SCREENED areas maybe ordered separately. High interference fit components which must be assembled at the Factory are identified in Table 3.

**TABLE 3 — 1C & 3A Shaft Assemblies**

RATIO	Drive Size				
	284	305	326	357	388
238.4 thru 437.9	1C1, 1C3/1C4				
536.3 thru 1207	1C3/1C4				
238.4 thru 437.9	3A3 & 3A4				
536.3 thru 656.8					
804.5 thru 985.3					
1207					


**TABLE 4 — Falk Bearing Part Numbers ★**

Ref. No.	Drive Size				
	284	305	326	357	388
1C1	†	‡	919670	919670	921843
1C2	919645	919645	919645	919645	921844
2A1	919010	919010	919636	921509	921696
2A2	919612	919645	919650	921848	921696
3A1	919001	919002	919022	921847	921492
3A2	●	919691	■	921535	921673
4AB1	921809	921529	921580	921920	921541
4AB2	921809	921529	921580	921552	921541
5AB1	921595	921758	921544	921919	921331
5AB2	921595	921758	921544	921919	921331
5ABQ1	921548	921599	921544	921924	921331
5ABQ2	921923	921599	921544	921924	921331

- ★ Refer to Table 6 for manufacturers' numbers.
- † Ratios 240.4 thru 450.8 — Falk Part No. 919606
- ‡ Ratios 510.7 thru 1190 — Falk Part No. 919609
- § Ratios 237.6 thru 544.9 — Falk Part No. 919606
- ¶ Ratios 665.9 thru 1194 — Falk Part No. 919609
- Ratios 240.4 thru 798.5 — Falk Part No. 919604
- Ratios 965.7 thru 1190 — Falk Part No. 919703
- Ratios 235.9, 289.2, 357.8 & 633.7 — Falk Part No. 919663
- Ratios 432.9, 519.4, 766.7, 919.9 & 1129 — Falk Part No. 919704

**TABLE 5 — Grease Shields – Nilos**

Falk No.	Nilos No.	Manufacturer
2907248	82576/82931AV	Timken
2907349	67390/67322AV	Timken
2907497	JHM522649/JHM522610AV	Timken
2907569	HM237545/HM237510AV	Timken
2907611	687/672AV	Timken
2907612	64450/64700AV	Timken
2907803	JM734449/JM734410AV	Timken
2907818	48290/48220AV	Timken

**TABLE 6 — Bearing Cross Reference**

Falk No.	Manufacturers' Part No.	Manufacturer
919001	304W	Fafnir
919002	305	SKF
919010	6301/C3	SKF
919022	306W	Fafnir
919604	308WG	Fafnir
919606	6206NR/C3	SKF
919609	6305NR/C3	SKF
919612	6303/NRC3	SKF
919636	6304/C3	SKF
919645	6303/C3	SKF
919650	206NR	SKF
919663	312NR	SKF
919670	6206/C3	SKF
919691	310NR	SKF
919703	210NR	SKF
919704	215NR	SKF
921331	HM237545/HM237510	Timken
921492	HM807040/HM807010	Timken
921509	12580/12520	Timken
921529	H715345/H715311	Timken
921535	644/632	Timken
921541	HH224346/HH224310	Timken
921544	67390/67322	Timken
921548	64450/64700	Timken
921552	HH421246C/HH421210	Timken
921580	6559C/6536	Timken
921595	687/672	Timken
921599	48290/48220	Timken
921673	H715348/H715311	Timken
921696	2684/2631	Timken
921758	JHM522649/JHM522610 ★	Timken
921809	5583/5535	Timken
921843	LM104949/LM104910	Timken
921844	1755/1729	Timken
921847	3878/3820	Timken
921848	15126/15245	Timken
921919	82576/82931	Timken
921923	56425/56662	Timken
921924	JM734449/JM734410 ★	Timken

★ Class N Bearing

**TABLE 7 — Falk Seal Part Numbers ★**

Ref. No.	Drive Size				
	284	305	326	357	388
21	912746	912746	912849	912849	921845
34	2908632	912861	2900292	912667	912742
35	912861	912824	2900292	912832	912742
36	912818	912824	2900292	912832	912742
37	2907611	2907497	2907349	2907248	2907569
38	2907612	2907818	2907349	2907803	2907569

★ Refer to Table 8 for manufacturers' numbers.

**TABLE 8 — Seal Cross Reference**

Falk No.	Chicago	National	Falk No.	Chicago	National
921667	CRWH57521	456666	912845	CRWA19831	
912742	CRWA70080	477436	912849	CRWA16062	473230
912746	CRWA13650	471192	912861	CRWH42426	455195
912818	CRWH44967	456888	2900292	CRWH52445	
912824	CRWH49966	455070	2908632	CRWH39997	455192
912832	CRWH64994	455294			