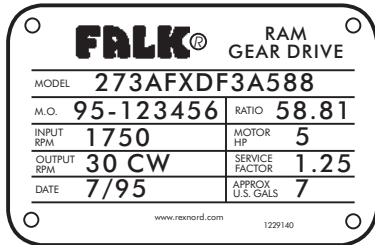


Introduction

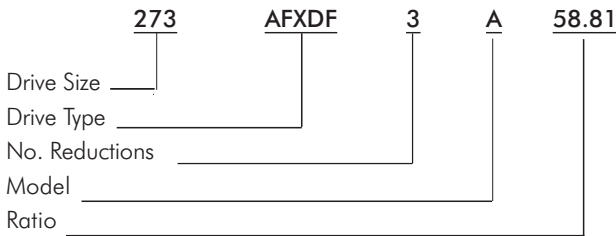
This parts guide is designed to assist in ordering replacement parts for standard Types AFXD, AFXQ, and AFXU triple reduction (ratios 38.44 thru 194.6) right angle vertical gear drives. Consult Factory for special or modified drives.

- IDENTIFY DRIVE** — Record Drive, Model, Ratio and M.O. Number from nameplate.

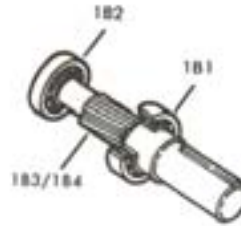
Sample Nameplate



Gear Drive Identification



- IDENTIFY INDIVIDUAL PARTS** — Use exploded view on Pages 2 & 3 to determine Ref. No. of required parts.



Ref. No	Part Description
1B1	Bearing
1B2	Bearing
1B3/1B4	Pinion & Shaft

NOTE: Shaft hardware is included with shafts. Replace seals, shims, and gaskets whenever reassembling a drive.

- HOW TO USE THIS GUIDE** — Use the Part Ref. No. (Step 2) and the drive Model No. (Step 1) to determine the part description and use this information to order the required parts.
- DOES THIS RESTRICTION APPLY?** — See Factory Assembled Components on Page 4.
- ORDER REPLACEMENT** — Place your order with your local Rexnord Representative or Distributor. If you need assistance call the number below.

Bearing & Seal Identification

Refer to the exploded views and Tables 1 and 2 on Pages 2 and 3 to identify the bearings and oil seals by the parts list Reference Number. Then refer to Tables 3 thru 5, Page 4, to determine the manufacturer and manufacturer's part number.

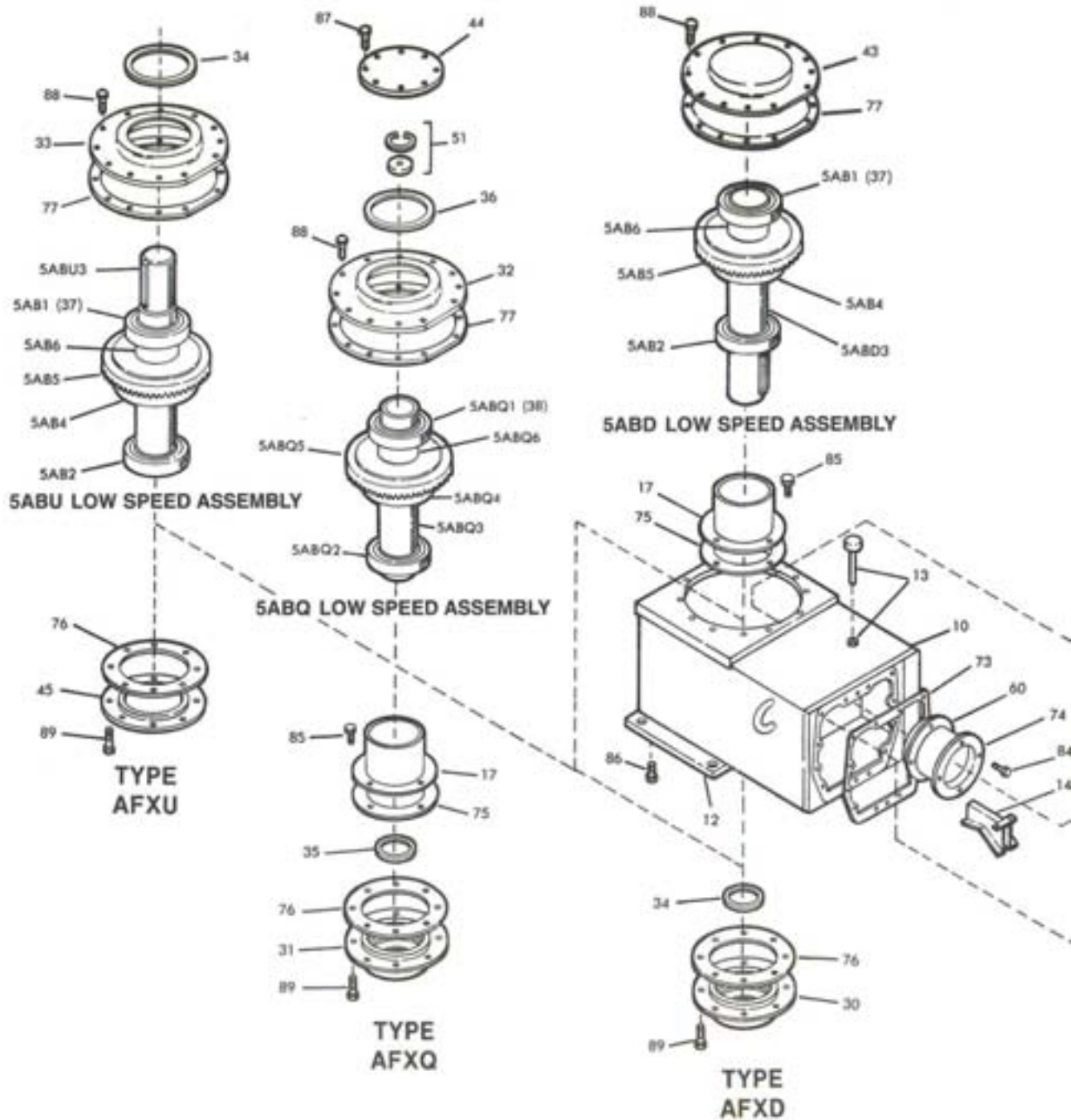
Corrosion Protection & Storage

CAUTION: Follow guidelines below to avoid damage to parts.

- For domestic or indoor storage, Factory provides standard 24 month protection as boxed or optional 24 month protection for individual parts.
- For export or outdoor storage, Factory provides optional 18 month protection.

CAUTION: This protection does not cover exposure to elements such as standing water, etc.

Parts Diagram



Reference Numbers

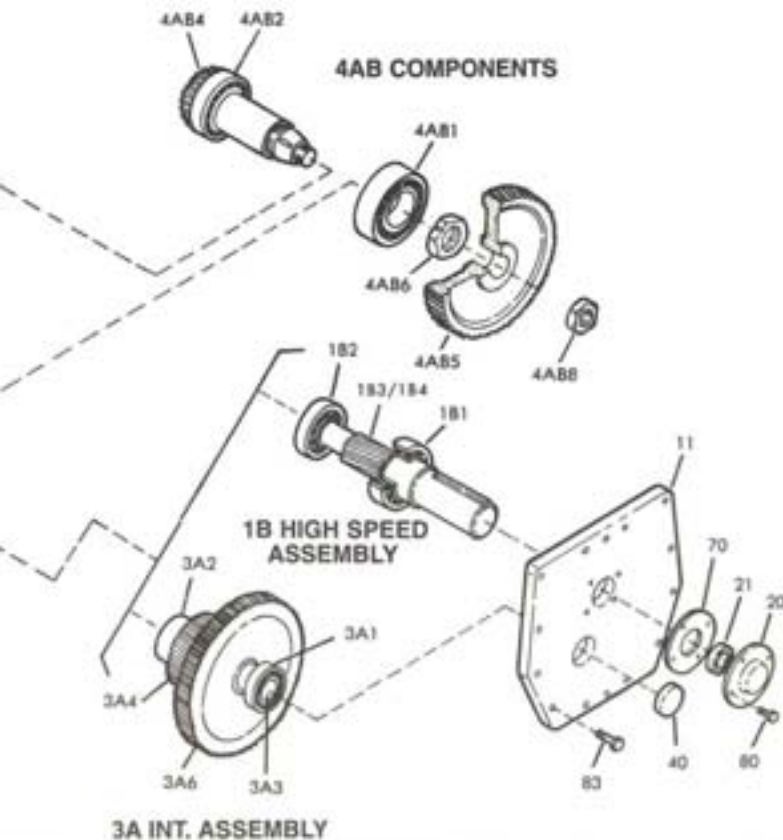
TABLE 1 — Housing Parts List

Ref. No.	Part Description
10	Housing } See Ref. No. 130
11	Head
12	Adapter Base
13	Dipstick
14	Oil Catcher
17	Oil Dam
20	Seal Cage, Replace with Ref. No. 120
21	Seal
30	Seal Cage, Lower
31	Seal Cage, Lower
32	Seal Cage, Upper
33	Seal Cage, Upper
34	Seal
35	Oil Seal, Lower
36	Oil Seal, Upper
37	Grease Shield, Nilos
38	Grease Shield, Nilos
40	Shaft Cover (Replace with Ref. No. 140)
43	Shaft Cover, Upper
44	Shaft Cover, Upper
45	Shaft Cover, Lower
51	Thrust Plate Kit
60	Bearing Cage
70 thru 77	Shim Gaskets available as a Kit (Specify Ref. No. 100)
80 thru 89	Fasteners available as a Kit (Specify Ref. No. 110)
100	Shim-Gasket Kit (Incls. Ref. No. 70, 73, 74, 75, 76 & 77)
110	Fastener Kit— AFX (Incls. Ref. No. 80, 83, 84, 85, 87, 88 & 89)
120	Seal Cage ASSEMBLY (Incls. Ref. No. 20, 21, & 70)
130	Housing ASSEMBLY (Incls. Ref. No. 10, 11, 13, 14, 100, 110)

TABLE 2 — Shaft Assemblies Parts List

Ref. No.	Part Description
1B	Shaft Assembly (Incls. Ref. No. 1B1 thru 1B4)
1B1	Bearing
1B2	Bearing
1B3/1B4	Pinion & Shaft
3A	Shaft Assembly (Incls. Ref. No. 3A1 thru 3A6)
3A1	Bearing
3A2	Bearing
3A3	Shaft
3A4	Pinion
3A6	Gear
Bevel Pinion Shaft Components	
4AB1	Bearing
4AB2	Bearing
4AB4	Bevel Pinion (Replace with Ref. 6AB/6ABQ) ★
4AB5	Gear
4AB6	Locknut & Washers
4AB8	Locknut
5ABU/D	Shaft Assembly (Incls. Ref. No. 5AB1 thru 5AB6, except 5AB5)
5AB1	Bearing (Incls. Ref. No. 37)
5AB2	Bearing
5ABU3/D3	Shaft
5AB4	Umbrella
5AB5	Bevel Gear (Replace with 6AB) ★
5AB6	Spacer
6AB	Bevel Gear Set (Incls. Ref. No. 4AB4, 4AB6, 4AB8, 5AB5)
5ABQ	Shaft Assembly (Incls. Ref. No. 5ABQ1 thru 5ABQ6, except 5ABQ5 & 51)
5ABQ1	Bearing (Incls. Ref. No. 38)
5ABQ2	Bearing
5ABQ3	Shaft (Hollow)
5ABQ4	Umbrella
5ABQ5	Bevel Gear (Replace with 6ABQ) ★
5ABQ6	Spacer
6ABQ	Bevel Gear Set (Incls. Ref. No. 4AB4, 4AB6, 4AB8, 5ABQ5)

★ Bevel gear and pinion must be ordered in matched sets.



Refer to Page 4 to determine the availability of individual components.

Bearings & Seals

FACTORY ASSEMBLED COMPONENTS — Gear 3A6 is assembled to shaft 3A3 using a high interference keyless fit and must be replaced as an assembly. Pinion 3A4 may be ordered separately for drive Ratios 39.65 thru 107.4. For drives with Ratios 132.6 and 163.0, the pinion is cut integral with the shaft.

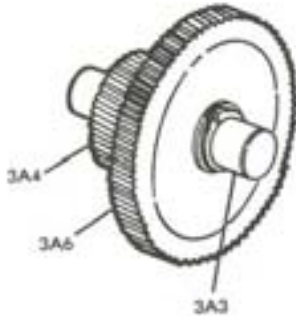


TABLE 3 — Seal Manufacturers' Part Numbers

Ref. No.	Falk No.	Manufacturer's Part No.	
		Chicago Rawhide	National
21	912749	CRWA 17285	471504
34	912596	CRWH 33735	455165
35	912552	CRWH 37396	455177
36	912552	CRWH 37396	455177

TABLE 4 — Bearing Manufacturers' Part Numbers

Ref. No.	Falk No.	Manufacturers' Part No.	Manufacturer
1B1	920218	307K	Fafnir
1B2	919609	6305 NR/C3	SKF
3A1	919606	6206 NR/C3	SKF
3A2	919633	6305/C3	SKF
4AB1	921526	HM807046/HM807010	Timken
4AB2	921526	HM807046/HM807010	Timken
5AB1	921380	665/653	Timken
5AB2	921380	665/653	Timken
5ABQ1	921598	47896/47820	Timken
5ABQ2	921598	47896/47820	Timken

TABLE 5 — Grease Shields – Nilos

Ref. No.	Falk No.	Nilos No.	Manufacturer
37	2907902	665/653 AV	Timken
38	2907903	47896/ 47820 AV	Timken