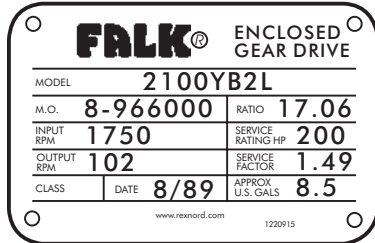


### Introduction

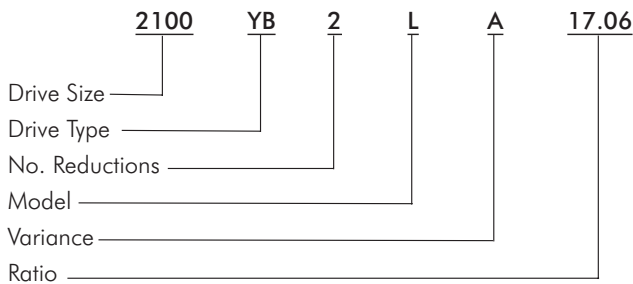
This parts guide is designed to assist in ordering replacement parts for standard Type YB and YBT (Models A or L) double reduction gear drives (ratios 5.06 thru 31.39). For Model L, Sizes 2170 - 2195, ratios 15.44 and higher, see Parts Guide 243-112. Consult Factory for special or modified drives.

- IDENTIFY DRIVE** — Record Drive Model, Ratio and M.O. Number from nameplate.

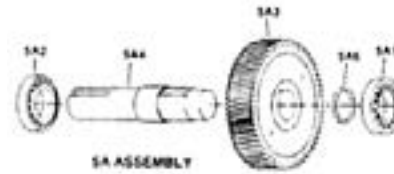
### Sample Nameplate



### Gear Drive Identification



- IDENTIFY INDIVIDUAL PARTS** — Use exploded view on Page 2 to determine Ref. No. of required parts.



Ref. No.	Part Description
SA1	Bearing
SA2	Bearing
SA3	Gear
SA4	Shaft
SA6	Spacer

**NOTE:** Replace seals, shims, and gaskets whenever reassembling a drive. Shim-gaskets are available only in kits; see Ref. No. 100.

- HOW TO USE THIS GUIDE** — Use the Part Ref. No. (Step 2) and the drive Model No. (Step 1) to determine the part description and use this information to order the required parts.
- ORDER REPLACEMENT** — Place your order with your local Rexnord District Office or Distributor. If you need assistance call the number below.

### Bearing & Seal Identification

Refer to the exploded views on Page 2 to identify the bearings and oil seals by the parts list Reference Number. Then refer to Tables 2 thru 5, Pages 4 & 5, to determine the manufacturer and manufacturer's part number.

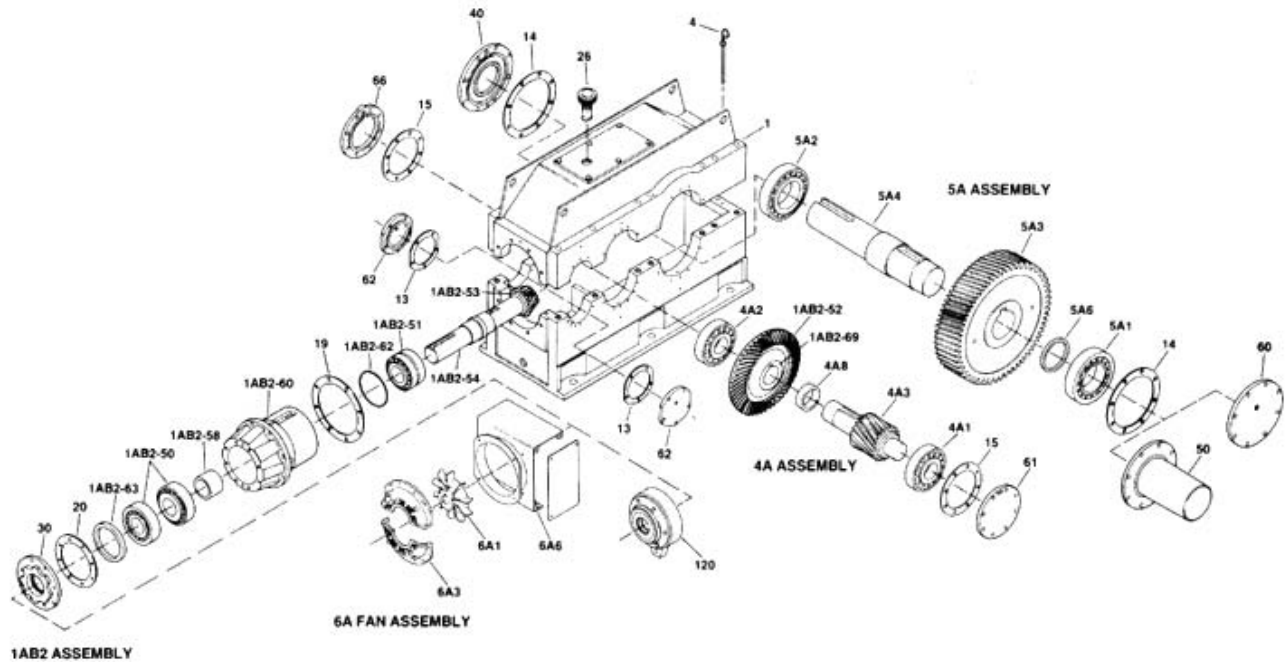
### Corrosion Protection & Storage

**CAUTION:** Follow guidelines below to avoid damage to parts.

- For domestic or indoor storage, Factory provides standard 24 month protection as boxed or optional 24 month protection for individual parts.
- For export or outdoor storage, Factory provides optional 18 month protection.

**CAUTION:** This protection does not cover exposure to elements such as standing water, etc.

## Parts Diagram



**TABLE 1 — Parts List**

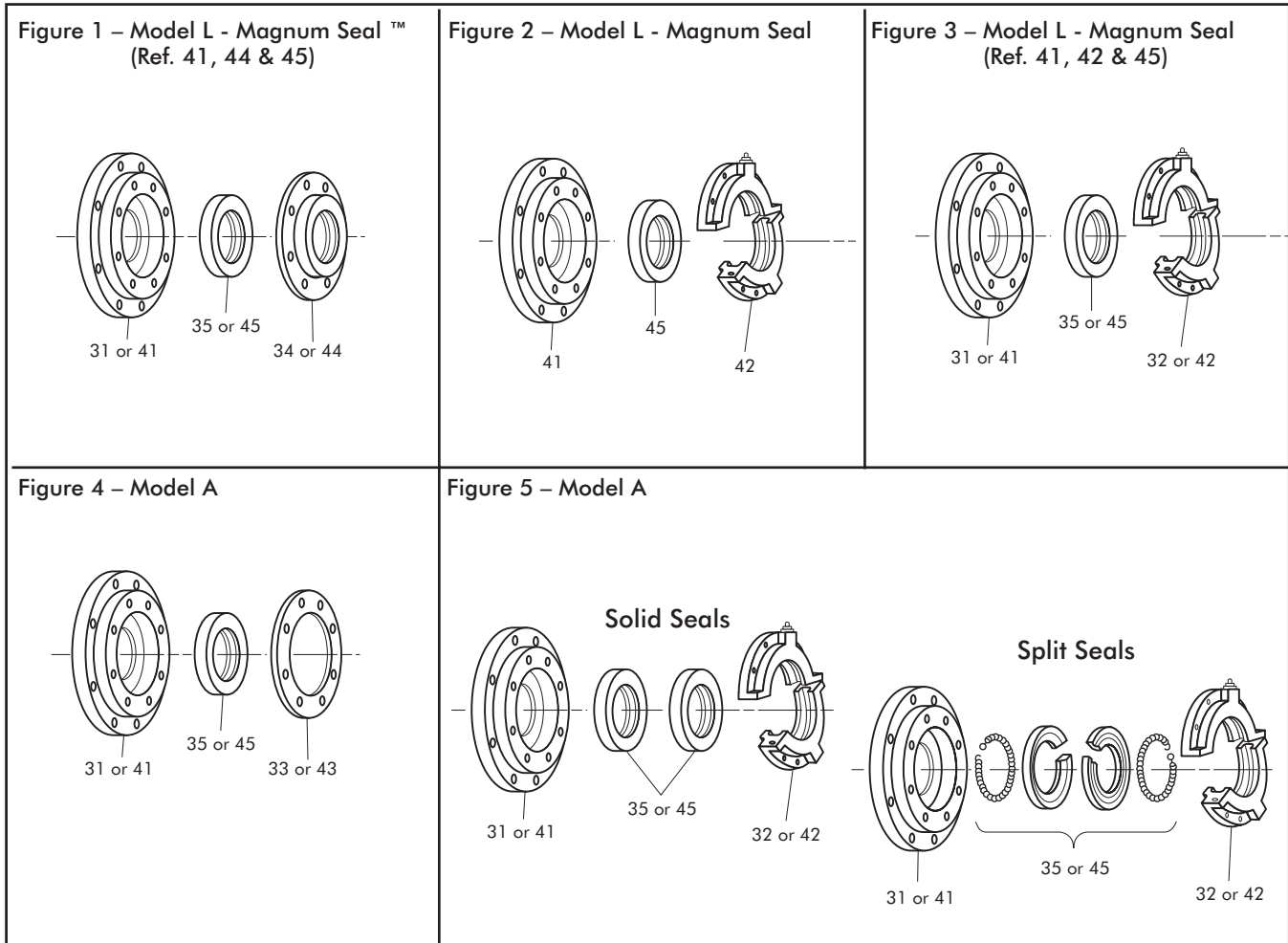
Ref. No.	Part Description
1	Housina (Consists of Base, Cover and all Hardware)
4	Dipstick
13	Shim-Gasket
14	Shim-Gasket
15	Shim-Gasket
19	Shim-Gasket
20	Shim-Gasket
26	Air Vent
30	H.S. Seal Cage Assembly
31 thru 35	H.S. Seal Cage Parts
40	L.S. Seal Cage Assembly
41 thru 45	L.S. Seal Cage Parts
50	Shaft Guard (Optional)
60	Shaft Cover
61	Shaft Cover
62	Shaft Cover (Blind Bore)
66	Shaft Cover
100	Shim-Gasket Kit, Incls Ref. #13, 14, 15, 19, 20, & 1AB2-62
120	Backstop (Optional)

} Available as a Kit  
Specify Ref. #100

} See Figures 1 thru 5  
on Page 3 for details.

Ref. No.	Part Description
1AB2	Bearing Cage Assembly – Incls. Ref. 30, 1AB2-50 thru 1AB2-70
1AB2-50	Bearings (2)
1AB2-51	Bearing
1AB2-52	Bevel Gear, Replace with Ref. 1AB2-70
1AB2-53	Bevel Pinion, Replace with Ref. 1AB2-70
1AB2-54	Shaft
1AB2-58	Spacer, Included with 1AB2-54 as required
1AB2-60	Bearing Cage
1AB2-62	Seal Ring, Included with Ref. 100
1AB2-63	Spacer, Included with 1AB2-54 as required
1AB2-69	Gear Hub (Sizes 2120 thru 2195 only)
1AB2-70	Bevel Gear Set, Incls. Ref. 1AB2-52 & 1AB2-53
4A	Shaft Assembly – Incls. Ref. 4A1 thru 4A8
4A1	Bearing
4A2	Bearing
4A3	Pinion & Shaft
4A8	Spacer, Included with 4A3
5A	L.S. Shaft Assembly – Incls. Ref. 5A1 thru 5A6
5A1	Bearing
5A2	Bearing
5A3	Gear
5A4	Shaft
5A6	Spacer, Included with 5A4
6A	Fan Assembly – Incls. Ref. 6A1 thru 6A6
6A1	Fan
6A3	Guard
6A6	Baffle

## Reference Numbers 30 & 40 Seal Assemblies



### H.S. Seal Cage Parts

Ref. No.	Part Description
<b>30</b>	Seal Cage Assembly. Incls. Ref. Nos. Shown Above
<b>31</b>	Inner Seal Cage
<b>32</b>	Grease Purge Cage (Split)
<b>33</b>	Baffle Ring
<b>34</b>	Grease Purge Cover
<b>35</b>	Seal

### L.S. Seal Cage Parts

Ref. No.	Part Description
<b>40</b>	Seal Cage Assembly. Incls. Ref. Nos. Shown Above
<b>41</b>	Inner Seal Cage
<b>42</b>	Grease Purge Cage (Split)
<b>43</b>	Baffle Ring
<b>44</b>	Grease Purge Cover
<b>45</b>	Seal

**TABLE 2 — Bearings/Falk Part Numbers**

Drive Size	Reference No.					
	1A2-50	1A2-51	4A1	4A2	5A1 & 5A2	
					Type YB	Type YBT
2050	921570	921573	921393	921492	921530	...
2060	921434 ★	921578	921623	921492	921309	...
2070	921528 †	921584	921389 *	921447	921352	...
2080	921734 ‡	921572	921494	921529	921310	...
2090	921734 ●	921572	921567	921567	921414	...
2100	921531 ■	921579	921551	921551	921436	...
2110	921531 ◆	921579	921448	921448	921422	919080
2120/2125	921580	921611	921412	921459	921311	919282
2130/2135	921542	921589	921332	921332	921439	919087
2140/2145	921541 *	921608	921463	921463	919073	919074
2150/2155	921436 ▲	921617	919108	919108	919077	919103
2160/2165	921470 ♣	921610	919108	919108	919078	919079
2170/2175	921653 ♠	921651	919112	919112	919284	919285
2180/2185	921653 §	921831	919117	919117	919106	919107
2190/2195	921912	921651 *	919315	919315	919096	919097

★ Model A, ratios 23.16–31.39 & Model L, ratios 15.44–31.39 = 921526.  
 † Model A, ratios 20.92–31.39 & Model L, ratios 17.09–31.39 = 921561.  
 ‡ Model A, ratios 20.92–31.39 & Model L, ratios 17.09–31.39 = 921556.  
 ● Model A, ratios 23.16–31.39 & Model L, ratios 18.91–31.39 = 921556.  
 ■ Model A, ratios 20.92–31.39 & Model L, ratios 17.09–31.39 = 921489.  
 ◆ Model A, ratios 23.15–31.39 & Model L, ratios 18.91–31.39 = 921489.  
 \* Model A, ratios 23.16–31.39 & Model L, ratios 18.91–31.39 = 921486.  
 ▲ Model A, ratios 23.16–31.39 & Model L, ratios 23.16–31.39 = 921306.  
 ♣ Model A, ratios 18.91–31.39 & Model L, ratios 18.91–31.39 = 921463.  
 ♠ Model A, ratios 23.16–31.39 = 921652.  
 § Model A, ratios 19.91–31.39 = 921652.  
 \* Model A, ratios 18.91–31.39 = 921914.  
 \* Model A, ratios 5.06–31.39 = 921447.

**TABLE 3 — Bearing Manufacturers' Part Numbers**

Falk No.	SKF No.	Falk No.	Timken No.
919073	22238C/C3-W33	921306	95475/95925
919074	23238C/C3-W33	921309	755/752
919077	22240C/C3-W33	921310	861/854
919078	22244C/C3-W33	921311	99600/99100
919079	23244C/C3-W33	921332	HH923649/HH923610
919080	23228C/C3-W33	921352	6580/6535
919087	22234C/C3-W33	921389	6280/6220
919096	23156CA/C3-W33	921393	59175/59412
919097	23256CA/C3-W33	921412	943/932
919103	23240C/C3-W33	921414	938/932
919106	23152CA/C3-W33	921422	99550/99100
919107	23252CA/C3-W33	921434	HM807049/HM807010
919108	22328C/C3-W33	921436	95500/95925
919112	22332C/C3-W33	921439	HM237535/HM237510
919117	22334C/C3-W33	921447	65212/65500
919282	22232C/C3-W33	921448	HH221431/HH221410
919284	23148C/C3-W33	921459	HH224335/HH224310
919285	23248CA/C3-W33	921463	HH228340/HH228310
919315	22338C/C3-W33	921470	HH228349/HH228310
		921486	HH224332/HH224310
		921489	6576C/6535
		921492	HM807040/HM807010
		921494	H715336/H715311
		921526	HM807046/HM807010
		921528	HM813841/HM813811
		921529	H715345/H715311
		921530	H414249/H414210
		921531	6559C/6535
		921541	HH224346/HH224310
		921542	HH221434/HH221410
		921551	HH221430/HH221410
		921556	H715332/H715311
		921561	HM813840/HM813811
		921567	HH814547/HH814510
		921570	HM803149/HM803111
		921572	565-90016
		921573	25580-90091
		921578	33890-90076
		921579	659-90033
		921580	6559C/6536
		921584	33225-90091
		921589	759-90169
		921608	866-90088
		921610	95491-90132
		921611	749A-90040
		921617	67388-90019
		921623	4559/4535
		921651	99550-90178
		921652	EE450551/451212
		921653	EE450577/451212
		921734	H715341/H715311
		921831	EE107057-90065
		921912	HH234018/HH234048
		921914	94649/94118D
			X3S94650 (.010 BEP)

**TABLE 4 — Oil Seals/Falk Part Numbers**

Drive Size	Ref. No. 35 H.S. Shaft Seals			Ref. No. 45 L.S. Shaft Seals		
	Model L	Model A		Model L	Model A	
		Solid Type	Split Type		Solid Type	Split Type
<b>2050</b>	912929	912747	194105	912934	912757	194110
<b>2060</b>	912930	912749	194106	912935	912758	194111
<b>2070</b>	912931	912753	194107	912936	912741	194113
<b>2080</b>	912932	912754	194108	912838	912760	194115
<b>2090</b>	912932	912754	194108	912818	912761	194116
<b>2100</b>	912934	912757	194110	912824	912762	194117
<b>2110</b>	912934	912757	194110	912547	912763	194118
<b>2120/2125</b>	912935	912758	194111	912938	912764	194119
<b>2130/2135</b>	912820	912759	194112	912832	912765	194120
<b>2140/2145</b>	912936	912741	194113	912766	912766	194121
<b>2150/2155</b>	912838	912760	194115	912575	912767	912797
<b>2160/2165</b>	912818	912761	194116	912554	912768	912798
<b>2170/2175</b>	912824 H	912762	194117	912769	912769	912799
<b>2180/2185</b>	912547 H	912763 †	194118 †	912940	912770	912800
<b>2190/2195</b>	912938 H	912764 ‡	194119 ‡	912771	912771	912801

★ For ratios 15.44–31.39, refer to Parts Guide 243-112.

† For ratios 18.91–31.39, use 912762 or 194117.

‡ For ratios 18.91–31.39, use 912763 or 194118.

**TABLE 5 — Seal Manufacturers' Part Numbers**

Solid Seals			Split Seals		
Falk No.	Chicago Rawhide	National	Falk No.	Johns Manville	Chicago Rawhide
<b>912547</b>	CRWH54972	446107	<b>194105</b>	R-0150-05633	...
<b>912554</b>	CRWH85015	455126	<b>194106</b>	R-0175-03975	...
<b>912575</b>	CRWH77540	455406	<b>194107</b>	R-0200-13681	...
<b>912741</b>	CRWH34886	477437	<b>194108</b>	R-0225-09597	...
<b>912747</b>	CRWA15142	473228	<b>194110</b>	R-0275-06895	...
<b>912749</b>	CRWA17285	471504	<b>194111</b>	R-0300-09373	...
<b>912753</b>	CRW19992	472397	<b>194112</b>	R-0325-04289	...
<b>912754</b>	CRW22440	472636	<b>194113</b>	R-0350-07341	...
<b>912757</b>	...	417316	<b>194115</b>	R-0400-10468	...
<b>912758</b>	CRW29906	475995	<b>194116</b>	R-0450-06618	...
<b>912759</b>	CRW32393	476470	<b>194117</b>	R-0500-06585	...
<b>912760</b>	CRW39922	...	<b>194118</b>	R-0550-11070	...
<b>912761</b>	CRW44959	...	<b>194119</b>	R-0600-09824	...
<b>912762</b>	CRWA49985	476865	<b>194120</b>	R-0650-11974	...
<b>912763</b>	CRWA54960	...	<b>194121</b>	R-0725-15465	...
<b>912764</b>	CRWA60016	...	<b>912797</b>	R-0775-10787	...
<b>912765</b>	CRWA64993	...	<b>912798</b>	R-0850-07087	...
<b>912766</b>	CRWHA72539	...	<b>912799</b>	R-0925-09568	...
<b>912767</b>	CRWH77540	...	<b>912800</b>	R-1000-06663	...
<b>912768</b>	CRWH185015	...	<b>912801</b>	...	1100528-HS8
<b>912769</b>	CRWHA92536	...			
<b>912770</b>	CRWH100050	...			
<b>912771</b>	CRWH110050	...			
<b>912818</b>	CRWH44967	456888			
<b>912820</b>	CRWH32396	455304			
<b>912824</b>	CRWH49966	456865			
<b>912832</b>	CRWH64994	455294			
<b>912838</b>	CRWH39933	...			
<b>912929</b>	CRW15141	481837			
<b>912930</b>	CRW17284	481122			
<b>912931</b>	CRW19992	482009			
<b>912932</b>	CRWH22446	452636			
<b>912934</b>	CRWH27368	457316			
<b>912935</b>	CRWH29951	...			
<b>912936</b>	CRWH34888	456414			
<b>912938</b>	CRWH60027	...			
<b>912940</b>	...	417020			