

Introduction

This literature applies to Model A, B, and C standard gear drives with ratings, speeds, ratios, and dimensions as catalogued in current Rexnord selection guides. Refer to Factory for all specials and modifications.

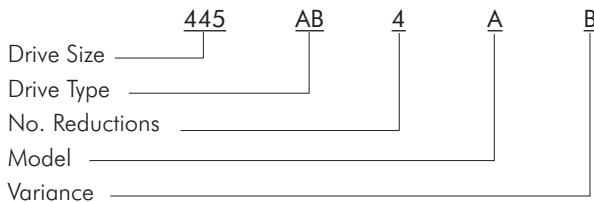
- IDENTIFY DRIVE** — Give complete data shown on drive nameplate. Also, give reference numbers, Falk™ part numbers, and name of parts required. Drawings and reference numbers are representative of all sizes and the actual parts may not agree in exact detail for each drive size. Complete nameplate data and parts reference number will assure receipt of correct parts.

The numerical designation stamped on the nameplate completely identifies all parts used in the drive. All drives with exactly the same nameplate markings have interchangeable rotating elements.

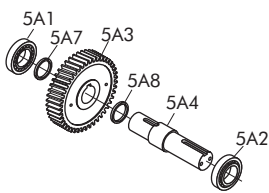
Sample Nameplate



Drive Identification



- IDENTIFY INDIVIDUAL PARTS** — Use exploded view on Page 2 to determine Ref. No. of required parts.



Ref. No.	Part Description
5A1	Bearing
5A2	Bearing
5A3	Gear
5A4	Shaft
5A7	Spacer
4A8	Spacer

NOTE: It is recommended that the shaft seals be replaced whenever it becomes necessary to disturb a seal in the process of disassembling a drive. New Shim-gaskets are recommended to prevent oil leakage and in some cases necessary to adjust internal running clearances. Shim-gaskets are available only in kits; see Ref. No. 100.

BEVEL GEARING — Bevel gearing is manufactured in matched and marked sets to ensure proper tooth contact. Unless bevel pinions and gears are installed as matched sets, in accordance with the instructions in Rexnord service manuals, Rexnord cannot be responsible for the rating, life, noise, or performance of the parts or the products receiving them.

PINION-SHAFT-BEARING ASSEMBLIES — With today's production procedures, Rexnord can normally furnish a total rotating assembly more economically than if a customer purchases individual parts, disassembles the old parts, and reassembles using some new and some old parts. Falk™ replacement assemblies also reduce down time and always consist of all new parts.

FASTENERS — Fasteners are sold in sets for a specific item, i.e. four for an end cover, eight for a low speed seal cage, etc. Fasteners describe cap screws, bolts, studs, nuts, and lock washers as required.

RATIO CHANGE — Refer complete information to Rexnord.

SHAFT COUPLINGS — Refer to coupling parts guide and price list.

- HOW TO USE THIS GUIDE** — Use the Part Ref. No. (Step 2) and the drive Model No. (Step 1) to determine the part description and use this information to order the required parts.
- ORDER REPLACEMENT** — Place your order with your local Rexnord Account Executive. If you need assistance call the number below.

Bearing & Seal Identification

Refer to the exploded views on Page 2 to identify the bearings and oil seals by the parts list Reference Number. Then refer to Tables 2 thru 5, Pages 3 and 4, to determine the Manufacturer and Manufacturer's part number.

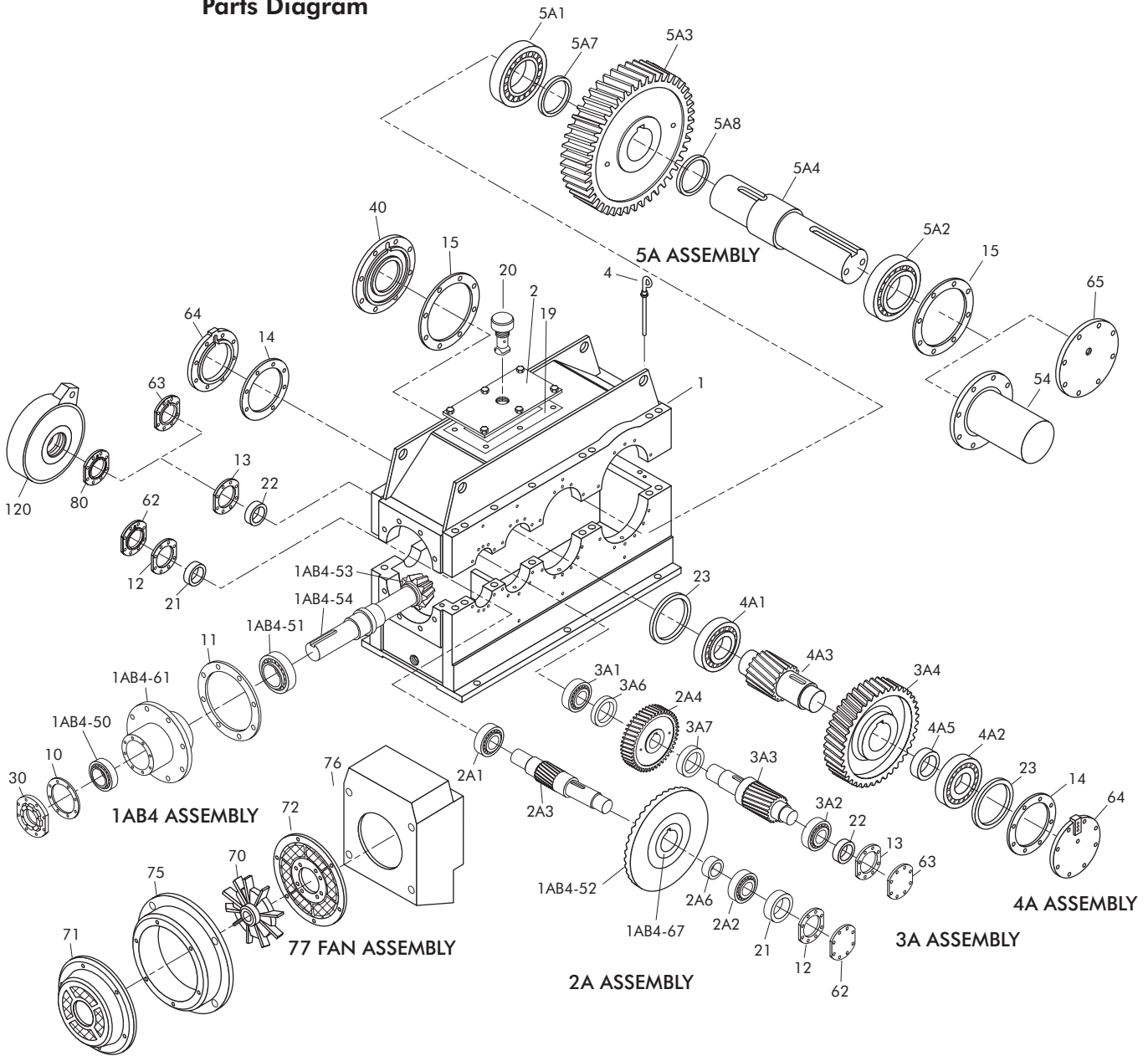
Corrosion Protection & Storage

CAUTION: Follow guidelines below to avoid damage to parts.

- For domestic or indoor storage, Rexnord provides standard 24 month protection as boxed or optional 24 month protection for individual parts.
- For export or outdoor storage, Rexnord provides optional 18 month protection.

CAUTION: This protection does not cover exposure to elements such as standing water, etc.

Parts Diagram



NOTE: Figures 1-3 are not used for this size range or reduction.

Figure 4

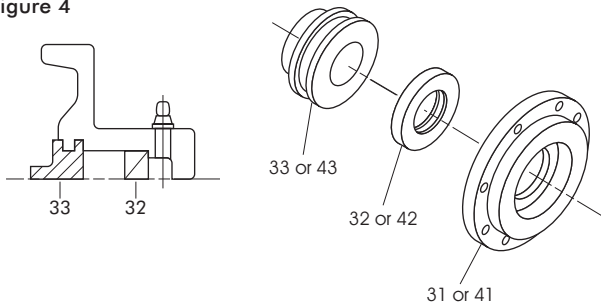


Figure 5

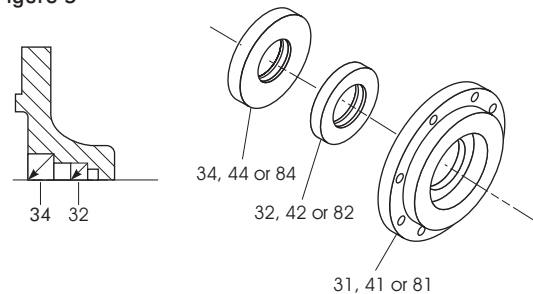


TABLE 1 — Parts List

Ref. No.	Part Description
1	Housing (Consists of Base & Cover & all Hardware)
2	Inspection Cover
4	Dipstick
10	Shim Gasket, High Speed Shaft
11	Shim Gasket, High Speed Bearing Cage
12	Shim Gasket, 1st Int
13	Shim Gasket, 2nd Int
14	Shim Gasket, Low Speed Pinion Shaft
15	Shim Gasket, L.S Shaft
19	Gasket, Inspection Cover
20	Air Vent
21	Spacer, Bearing, 1st Int
22	Spacer, Bearing, 2nd Int
23	Spacer, Bearing, Low Speed Pinion
30	High Speed Seal Cage Assembly
31	Cage, Seal, High Speed
32	Seal, Exclusion, High Speed
33	Seal, Bush., High Speed
34	Seal, Oil, High Speed
40	Low Speed Seal Cage Assembly
41	Cage, Seal, Low Speed
42	Seal, Exclusion, Low Speed
43	Seal, Bush., Low Speed
44	Seal, Oil, Low Speed
54	Guard, Low Speed Shaft
62	Cover, End, Blind Bore
63	Cover, End, Intermediate
64	Cover, End, Low Speed Pinion
65	Cover, End, Low Speed
70	Fan
71	Fan Guard
72	Grill/Backplate
75	Fan Shroud
76	Drive Shroud
77	Fan Assembly
80	1st Int Seal Cage Assembly (For Use with Backstop)
81	Cage, Seal
82	Seal, Exclusion
84	Seal, Oil
100	Shim Gasket Kit (Includes Ref. Nos.:10, 11, 12, 13, 14, 15 & 19)
120	Backstop
IAB4-50	Bearing, High Speed
IAB4-51	Bearing, High Speed
IAB4-52	Gear, Bevel
IAB4-53	Pinion, Bevel
IAB4-54	Shaft, High Speed
IAB4-61	Cage, High Speed Bearing
IAB4-67	Hub, Bevel Gear
IAB4-70	Bevel Set
2A1	Bearing, 1st Int. Shaft
2A2	Bearing, 1st Int. Shaft
2A3	Pinion & Shaft, 1st Int.
2A4	Gear, 1st Int.
2A6	Spacer, Bevel Gear/Bearing
3A1	Bearing, 2nd Int. Shaft
3A2	Bearing, 2nd Int. Shaft
3A3	Pinion & Shaft, 2nd Int
3A4	Gear, 2nd Int.
3A6	Spacer, Bevel Gear/Bearing
3A7	Spacer, Pinion/Bearing
4A1	Bearing, Low Speed Pinion Shaft
4A2	Bearing, Low Speed Pinion Shaft
4A3	Pinion
4A5	Spacer, Gear
5A1	Bearing, Low Speed Shaft
5A2	Bearing, Low Speed Shaft
5A3	Gear, Low Speed
5A4	Shaft, Low Speed
5A7	Spacer, Bearing/Gear
5A8	Spacer, Gear/Shaft

 See
Figures
4 or 5

 See Figures
4 or 5

TABLE 2 — Oil Seals/Falk™ Part Numbers

DRIVE SIZE	Reference No.						
	32	33	34	42	44	82	84
385	913010	...	913011	913014	913015	913032	913033
405	913010	...	913011	913000	913001	912991	912992
425	913018	5741073	912946	913016	913017	913012	913013
445	913018	5741073	912946	913004	913005	912995	912996
465	912993	5741339	912994	913023	913024	912993	912994
485	912993	5741339	912994	912827	912554	913012	913013
505	913030	5743622	913031	913025	912769	912995	912996
525	913030	5743622	913031	912901	912626	913028	913029
545	913028	5743648	913029	912550	913034		
565	913028	5743648	913029	2909092	2909091		
585	913028	5743648	913029	2911930	912808		

TABLE 3 — Bearings/Falk™ Part Numbers

DRIVE SIZE	Reference No.									
	IAB2-50	IAB2-51	2A1	2A2	3A1	3A2	4A1	4A2	5A1	5A2
385	920671	921816	921892	921892	921856	921856	921893	921893	921414	921414
405	920671	921816	921629 ¹	921629	921809	921809	921899	921899	921674	921674
425	920615	921820	921878	921878	921895 ²	921895 ²	921552	921552	921881	921881
445	920615	921820	921301 ³	921301	921678	921678 ⁴	921443	921443	921439	921439
465	919242	921815	921855 ⁵	921855	921443	921541 ⁶	921541	921541	920570	920570
485	919242	921817	921895 ⁷	921895	921541	921459	921470	921470	2915524	2915524
505	920698	2920380	921678 ⁸	921678	921541	921541 ⁹	921481	921481	919284	919284
525	920698	2920380	921552	921552	921470	921470	921901	921901	919096	919096
545	920713	921818	921541 ¹⁰	921541	921481	921481	919690	919690	920704	920704
565	920713	921818	921470	921470	921481	921481	919118	919118	919945	919945
585	920713	921818	921470	921470	921481	921481	919319	919319	919119	919119

¹ Use 921888 for ratios 321.0 and 349.4, Model A.
² Use 921494 for ratio 281.3.
³ Use 921319 for ratios 297.7 thru 345.0, Model A.
⁴ Use 921899 for ratios 76.12 and 82.54 and 114.2 thru 345.0.
⁵ Use 921856 for ratios 303.2 thru 355.2.
⁶ Use 921551 for ratios 90.70, 104.7, 137.8 and 159.0.
⁷ Use 921734 for ratios 288.2 thru 341.4.
⁸ Use 921899 for ratios 282.1 thru 356.1.
⁹ Use 921459 for ratios 79.18, 94.15, 117.7, 136.6, 170.7, 207.5, 259.4, 307.2 and 356.1.
¹⁰ Use 921486 for ratios 295.7 thru 360.1.

TABLE 4 — Seal Manufacturer's Part Numbers

Falk™ Part No.	Manufacturers' No.
912550	CRWH1-115021
912554	CRWH85015
912626	CRWH107551
912769	CR92536
912808	HDS1-1300570
912827	CRWH85009
912901	HSD1-1075230
912946	CRW17558(V)
912991	CR22363
912992	CRWH22449(V)
912993	CRWH24914(V)
912994	CRWH24984(V)
912995	CRWH34892(V)
912996	JM/8821LPD-H5/L16(V)
913000	CRWH52447(V)
913001	CRWH52489(V)
913004	CRWH64998(V)
913005	JM/8950LUP-H5/L16(V)
913010	CRW14861(V)
913011	CRW14940(V)
913012	JM/5961LUP-H5/L16(V)
913013	CRWH29958(V)
913014	CRWH44973(V)
913015	JM/11709LUP-H5/L16(V)
913016	CRWH57522(V)
913017	CRWH57523(V)
913018	CRW17379(V)
913023	JM/12094LUP
913024	JM/8951LUP
913025	NATIONAL416257
913028	CRWH37405(V)
913029	CRWH37577(V)
913030	JM14042LPDH5/L16(V)
913031	CRWH127365(V)
913032	JM10756LUPH5/L16(16)
913033	JM10253LUP
913034	JM10509H1L5LUP
2909091	CRWHA1122590
2909092	CRWH1225239HDS3
2911930	CR1300290

TABLE 5 — Bearing Manufacturer's Part Numbers

Falk™ Part No.	Manufacturer's No.
919065	SKF22218-W33/C3
919096	SKF23156-W33/C3
919118	SKF22344-W33/C3
919119	SKF23168-W33C3
919242	SKF22313-W33/C3
919284	SKF23148-W33/C3
919319	SKF22352-W33/C3
919680	SKF22340-W33/C3
919945	SKF23164-W33/C3
920570	SKF23138-W33/C3
920615	NDU-5309TS
920698	SKF22314-W33/C3
920704	SKF23160-W33/C3
920713	NDU-5220TS
921319	TIM619/612
921414	TIM938/932
921439	TIMHM237535/HM237510
921443	TIMHH221449/HH221410
921459	TIMHH224335/HH224310
921470	TIMHH228349/HH228310
921481	TIMHH234048/HH234010
921486	TIMHH224332/HH224310
921494	TIMH715336/H715311
921541	TIMHH224346/HH224310
921551	TIMHH221430/HH221410
921552	TIMHH421246C/HH421210
921674	TIM95528/95925
921678	TIM850/832
921734	TIMH715341/H715311
921809	TIM5583/5535
921815 ♣	TIM9285-90022(TDO)
921817 ♣	TIM9380-900015(TDO)
921818 ♣	TIMHH924349-90021(TDO)
921819 ♣	TIMH924045-90027(TDO)
921820 ♣	TIM72225C-907A1(TDO)
921855	TIM5584/TIM5535
921856	TIM5578/5535
921862	TIMH936349/H936310
921881	TIM99575/99100
921888	TIM3782/3720
921893	TIM6386/6320
921895	TIMH715346/H715311
921899	TIM843/832
921901	TIMHH437549/HH437510
921911	TIMHH932132/HH932110
2915524	SKF23144-W33/C3
2916560 §	NP747110/NP520308
2920380 ♣	TIMHM921343/HM921310D(TDO)

♣ Double row (TDO) tapered roller bearings must be purchased per the manufacturer's assembly part number, or Falk™ part number, to obtain correct bearing end play.

§ Prefix "NP" must be Timken P900 roller bearing.