

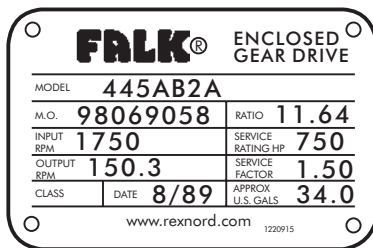
Introduction

This literature applies to Model A, B, and C standard gear drives with ratings, speeds, ratios, and dimensions as catalogued in current Rexnord selection guides. Refer to Factory for all specials and modifications.

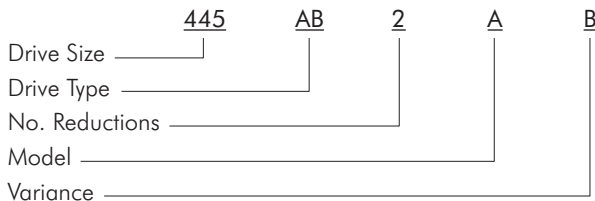
- IDENTIFY DRIVE** — Give complete data shown on drive nameplate. Also, give reference numbers, Falk™ part numbers, and name of parts required. Drawings and reference numbers are representative of all sizes and the actual parts may not agree in exact detail for each drive size. Complete nameplate data and parts reference number will assure receipt of correct parts.

The numerical designation stamped on the nameplate completely identifies all parts used in the drive. All drives with exactly the same nameplate markings have interchangeable rotating elements.

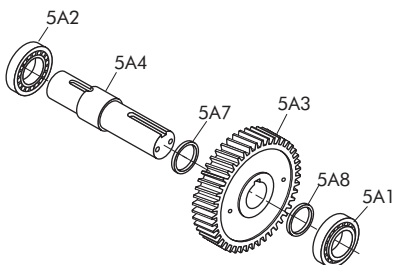
Sample Nameplate



Drive Identification



- IDENTIFY INDIVIDUAL PARTS** — Use exploded view on Page 2 to determine Ref. No. of required parts.



Ref. No.	Part Description
5A1	Bearing
5A2	Bearing
5A3	Gear
5A4	Shaft
5A7	Spacer
4A8	Spacer

NOTE: It is recommended that the shaft seals be replaced whenever it becomes necessary to disturb a seal in the process of disassembling a drive. New Shim-gaskets are recommended to prevent oil leakage and in some cases necessary to adjust internal running clearances. Shim-gaskets are available only in kits; see Ref. No. 100.

BEVEL GEARING — Bevel gearing is manufactured in matched and marked sets to ensure proper tooth contact. Unless bevel pinions and gears are installed as matched sets, in accordance with the instructions in Rexnord service manuals, Rexnord cannot be responsible for the rating, life, noise, or performance of the parts or the products receiving them.

PINION-SHAFT-BEARING ASSEMBLIES — With today's production procedures, Rexnord can normally furnish a total rotating assembly more economically than if a customer purchases individual parts, disassembles the old parts, and reassembles using some new and some old parts. Falk™ replacement assemblies also reduce down time and always consist of all new parts.

FASTENERS — Fasteners are sold in sets for a specific item, i.e. four for an end cover, eight for a low speed seal cage, etc. Fasteners describe cap screws, bolts, studs, nuts, and lock washers as required.

RATIO CHANGE — Refer complete information to Rexnord.

SHAFT COUPLINGS — Refer to coupling parts guide and price list.

- HOW TO USE THIS GUIDE** — Use the Part Ref. No. (Step 2) and the drive Model No. (Step 1) to determine the part description and use this information to order the required parts.
- ORDER REPLACEMENT** — Place your order with your local Rexnord Account Executive. If you need assistance call the number below.

Bearing & Seal Identification

Refer to the exploded views on Page 2 to identify the bearings and oil seals by the parts list Reference Number. Then refer to Tables 2 thru 5, Pages 3 and 4, to determine the Manufacturer and Manufacturer's part number.

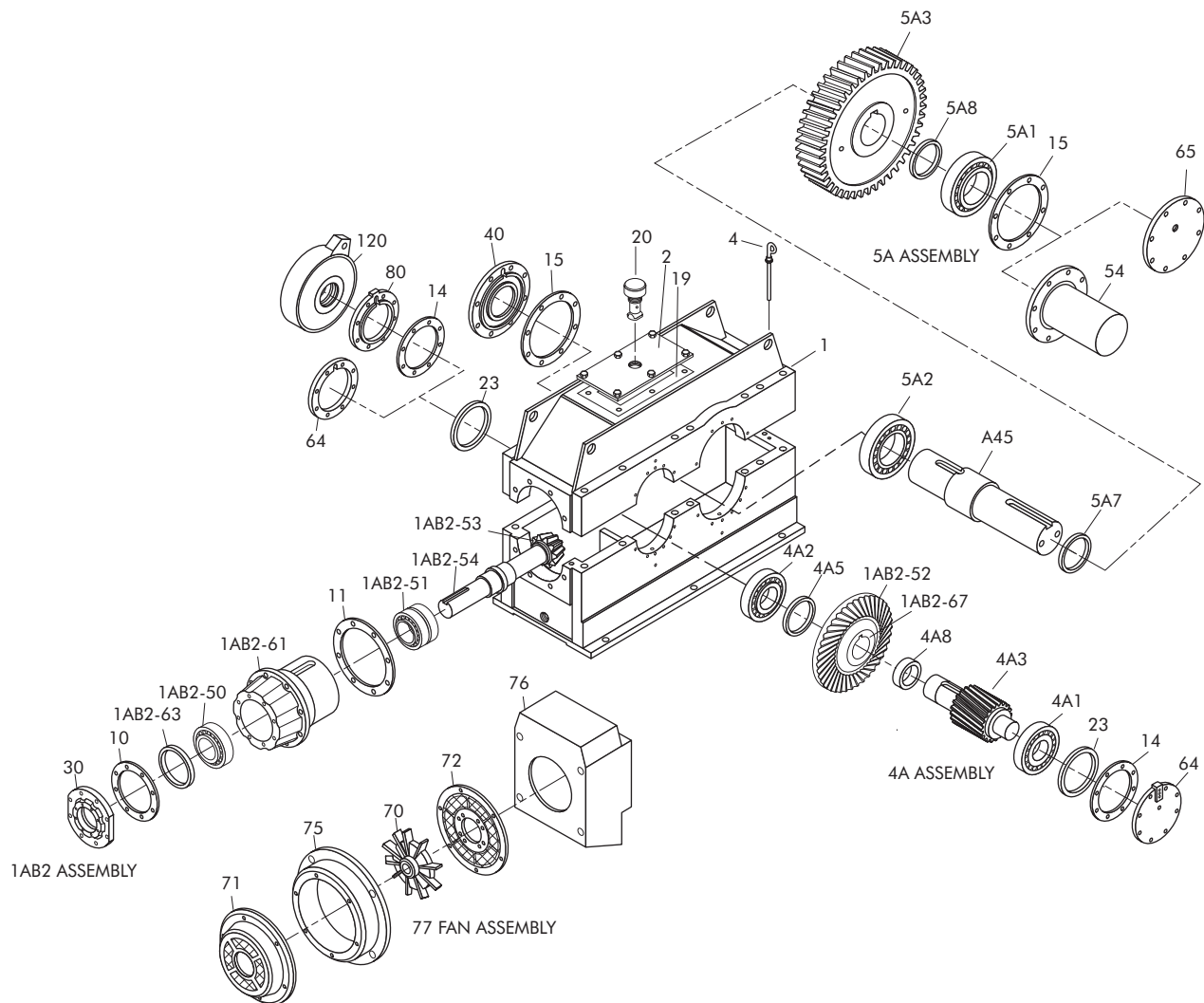
Corrosion Protection & Storage

CAUTION: Follow guidelines below to avoid damage to parts.

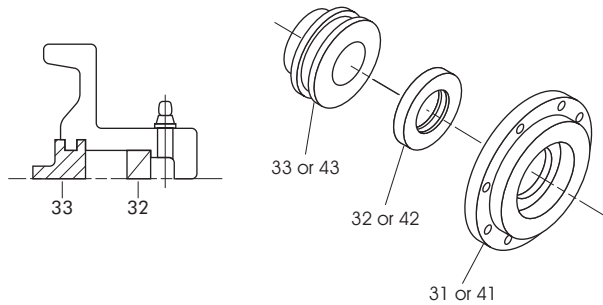
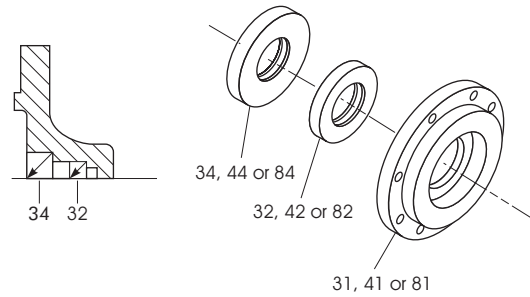
- For domestic or indoor storage, Rexnord provides standard 24 month protection as boxed or optional 24 month protection for individual parts.
- For export or outdoor storage, Rexnord provides optional 18 month protection.

CAUTION: This protection does not cover exposure to elements such as standing water, etc.

Parts Diagram



NOTE: Figures 1-3 are not used for this size range or reduction.

Figure 4

Figure 5

TABLE 1 — Parts List

Ref. No.	Part Description
1	Housing (Consists of Base & Cover & all Hardware)
2	Inspection Cover
4	Dipstick
10	Shim Gasket, High Speed Shaft
11	Shim Gasket, High Speed Bearing Cage
14	Shim Gasket, Low Speed Pinion Shaft
15	Shim Gasket, Low Speed Shaft
19	Gasket, Inspection Cover
20	Air Vent
23	Spacer, Bearing, Low Speed Pinion
30	High Speed Seal Cage Assembly
31	Cage, Seal, High Speed
32	Seal, Exclusion, High Speed
33	Seal, Bush., High Speed
34	Seal, Oil, High Speed
40	Low Speed Seal Cage Assembly
41	Cage, Seal, Low Speed
42	Seal, Exclusion, Low Speed
43	Seal, Bush., Low Speed
44	Seal, Oil, Low Speed
54	Guard, Low Speed Shaft
64	Cover, End, Low Speed Pinion
65	Cover, End, Low Speed
70	Fan
71	Fan Guard
72	Grill/Backplate
75	Fan Shroud
76	Drive Shroud
77	Fan Assembly
80	Low Speed Pinion Seal Cage Assembly (For Use with Backstop)
81	Cage, Seal
82	Seal, Exclusion
84	Seal, Oil
100	Shim Gasket Kit (Includes Ref. Nos.: 10, 11, 14, 15 & 19)
120	Backstop
1AB2-50	Bearing, High Speed
1AB2-51	Bearing, High Speed
1AB2-52	Gear, Bevel
1AB2-53	Pinion, Bevel
1AB2-54	Shaft, High Speed
1AB2-61	Cage, High Speed Bearing
1AB2-63	Ring, Threaded
1AB2-67	Hub, Bevel Gear
1AB2-70	Bevel Set
4A1	Bearing, Low Speed Pinion Shaft
4A2	Bearing, Low Speed Pinion Shaft
4A3	Pinion
4A5	Spacer, Gear/Bearing
4A8	Spacer, Gear
5A1	Bearing, Low Speed Shaft
5A2	Bearing, Low Speed Shaft
5A3	Gear, Low Speed
5A4	Shaft, Low Speed
5A7	Spacer, Bearing/Gear
5A8	Spacer, Gear/Shaft

See Figures 4 & 5

See Figures 4 & 5

TABLE 2 — Oil Seals/Falk™ Part Numbers

DRIVE SIZE	Reference No.							
	32	33	34	42	43	44	82	84
385	912993	5741339	912994	913014	5741076	913015	912995	912996
405	913030	5743622	913031	913000	5741343	913001	912997	912998
425	912995	5741071	912996	913016	5741599	913017	913014	913015
445	913028	5743648	913029	913004	5741858	913005	913014	913015
465	913028	5743648	913029	913023	...	913024	913002	913003
485	913014	5741076	913015	912827	...	912554	913021	913022
505	913002	5742158	913003	913025	...	912769	913004	913005
525	913002	5742158	913003	912901	...	912626	913004	913005

TABLE 3 — Bearings/Falk™ Part Numbers

DRIVE SIZE	Reference No.					
	1AB2-50	1AB2-51	4A1	4A2	5A1	5A2
385	919242	921817	921581 †	2915575	921541	921541 •
405	920698	2920380	921551 •	921443	921674	921674
425	919065	921819	921459 ♦	921541	921881	921881
445	920713	921818	921541	921541	921439	921439
465	920713	921818	921545	921646	920570	920570
485	921911	921911	921481	921481	2915524	2915524
505	921862	921862	921901	921901	919284	919284
525	921862	921862	921901	921901	919096	919096

• Use 921443 for ratios 4.961 & 10.93.

♦ Use 921541 for ratio 4.993.

† Use 2915575 for ratios 4.850-5.413, 8.119 & 12.33.

TABLE 4 — Seal Manufacturer's Part Numbers

Falk™ Part No.	Manufacturer's No.
912554	CRWH85015
912626	CRWH107551
912769	CR92536
912827	CRWH85009
912901	HSD1-1075230
912993	CRWH24914(V)
912994	CRWH24984(V)
912995	CRWH34892(V)
912996	JM/8821LPD-H5/L16(V)
912997	CRWH39932(V)
912998	CRWH39996(V)
913000	CRWH52447(V)
913001	CRWH52489(V)
913002	CRWH54934(V)
913003	CRWH54974(V)
913004	CRWH64998(V)
913005	JM/8950LUP-H5/L16(V)
913014	CRWH44973(V)
913015	JM/11709LUP-H5/L16(V)
913016	CRWH57522(V)
913017	CRWH57523(V)
913021	JM/9514LUP-H5/L16(V)
913022	JM/0600-19591LUP-H5/L16
913023	JM/12094LUP
913024	JM/8951LUP
913025	NATIONAL416257
913028	CRWH37405(V)
913029	CRWH37577(V)
913030	14042LPDH5/L16(V)
913031	CRWH127365(V)

TABLE 5 — Bearing Manufacturer's Part Numbers

Falk™ Part No.	Manufacturer's No.
919065	SKF22218-W33/C3
919096	SKF23156-W33/C3
919242	SKF22313-W33/C3
919284	SKF23148-W33/C3
920570	SKF23138-W33/C3
920698	SKF22314-W33/C3
920713	NDU-5220TS
921439	TIMHM237535/HM237510
921443	TIMHH221449/HH221410
921459	TIMHH224335/HH224310
921481	TIMHH234048/HH234010
921541	TIMHH224346/HH224310
921545	TIMHH231637/HH231610
921551	TIMHH221430/HH221410
921581	TIM6576/6536
921646	TIMHH231649/HH231610
921674	TIM95528/95925
921817 ▼	TIM9380-900015(TDO)
921818 ▼	TIMHH924349-90021(TDO)
921819 ▼	TIMH924045-90027(TDO)
921862	TIMH936349/H936310
921881	TIM99575/99100
921901	TIMHH437549/HH437510
921911	TIMHH932132/HH932110
2915524	SKF23144-W33/C3
2915575	TIM6580/6536
2920380 ▼	TIMHM921343/HM921310D(TDO)

▼ Double row (TDO) tapered roller bearings must be purchased per the manufacturer's assembly part number, or Falk™ part number, to obtain correct bearing end play.