

Introduction

This literature applies to standard gear drives with ratings, speeds, ratios and dimensions as catalogued in current Rexnord selection guides. Refer to the Factory for all specials and modifications.

1. **IDENTIFY DRIVE** — Give complete data shown on drive nameplate. Also, give reference numbers, Falk part numbers, and name of parts required. Drawings and reference numbers are representative of all sizes and the actual parts may not agree in exact detail for each drive size. Complete nameplate data and parts reference number will assure receipt of correct parts.

Sample Nameplate

MODEL	M1150DBT3AN-36.14-LD0045		
M.O. S/N	02-066369-01	RATIO	36.14
RPM n1/n2	1750/48.4	APPLIED POWER	40 HP
CATALOG POWER	101 HP	SERVICE FACTOR	2.53
DATE	05-02	APPROX. OIL	7.5 GAL
SEE OWNER'S MANUAL FOR INSTALLATION AND SERVICE			
LUBRICATION			
FILL TO LEVEL INDICATED WITH EXTREME PRESSURE OIL PER REQUIREMENTS. CHANGE OIL EVERY 2500 HOURS OR SIX MONTHS, WHICHEVER OCCURS FIRST. FAILURE TO FOLLOW INSTRUCTIONS VOIDS WARRANTY.			
AMBIENT TEMPERATURE		ISO-VG	AGMA
-9 TO +16°C (15 TO 60°F)		220 EP	5 EP
+10 TO +52°C (50 TO 125°F)		320 EP	6 EP
Rexnord Industries, LLC www.rexnord.com			
			D003012

NOTE: It is recommended that the shaft seals be replaced whenever it becomes necessary to disturb a seal in the process of disassembling a drive. It is also recommended that the Repair Kit, Ref. No. "RK", consisting of a full set of seals, bearings and bore plugs be considered when disassembling a drive for servicing.

PINIONS, GEARS & SHAFTS — Replacement of a pinion, gear or shaft may also require the replacement of the respective connected parts. It is recommended that Rexnord be contacted to help make that determination.

BEVEL GEARING — Bevel gearing is only sold in matched sets, Bevel Set Ref. No. 1AB70.

FASTENERS — DRIVE ONE fasteners are generally re-usable. If replacement fasteners are required, consult the drive service manual for sizing and grade information for local availability. Rexnord will of course furnish fastener kits if required. Simply identify the part for which they are required.

SHAFT COUPLINGS & OTHER DRIVE ACCESSORIES — Refer to coupling parts guide or appropriate accessory product literature for servicing or replacement information.

3. **ORDER PLACEMENT** — Place your order with your local Rexnord Representative or Distributor. If you need assistance call the number below.

Bearing & Seal Identification

Refer to the exploded views on Page 2 to identify the bearings and oil seals by the parts list Reference Number. Then refer to Tables 2 thru 5, Page 4, to determine the Manufacturer and Manufacturer's part number.

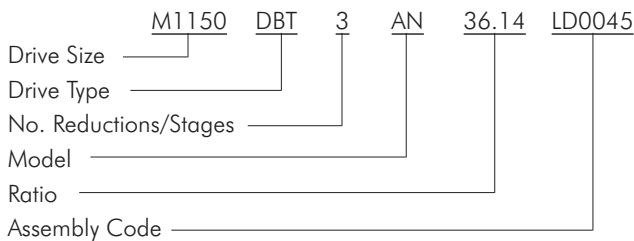
Corrosion Protection & Storage

CAUTION: Follow guidelines below to avoid damage to parts.

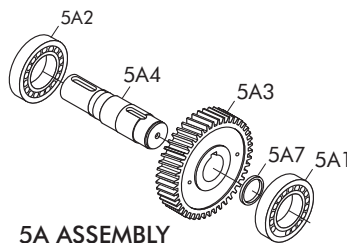
1. For domestic or indoor storage, Factory provides standard 24 month protection as boxed or optional 24 month protection for individual parts.
2. For export or outdoor storage, Factory provides optional 18 month protection.

CAUTION: This protection does not cover exposure to elements such as standing water, etc.

Drive Identification



2. **IDENTIFY INDIVIDUAL PARTS** — Use exploded view on Page 2 to determine Ref. No. of required parts.



Ref. No.	Part Description
5A1	Bearing
5A2	Bearing
5A3	Gear
5A4	Shaft
5A7	Spacer

5A ASSEMBLY

Parts Diagram

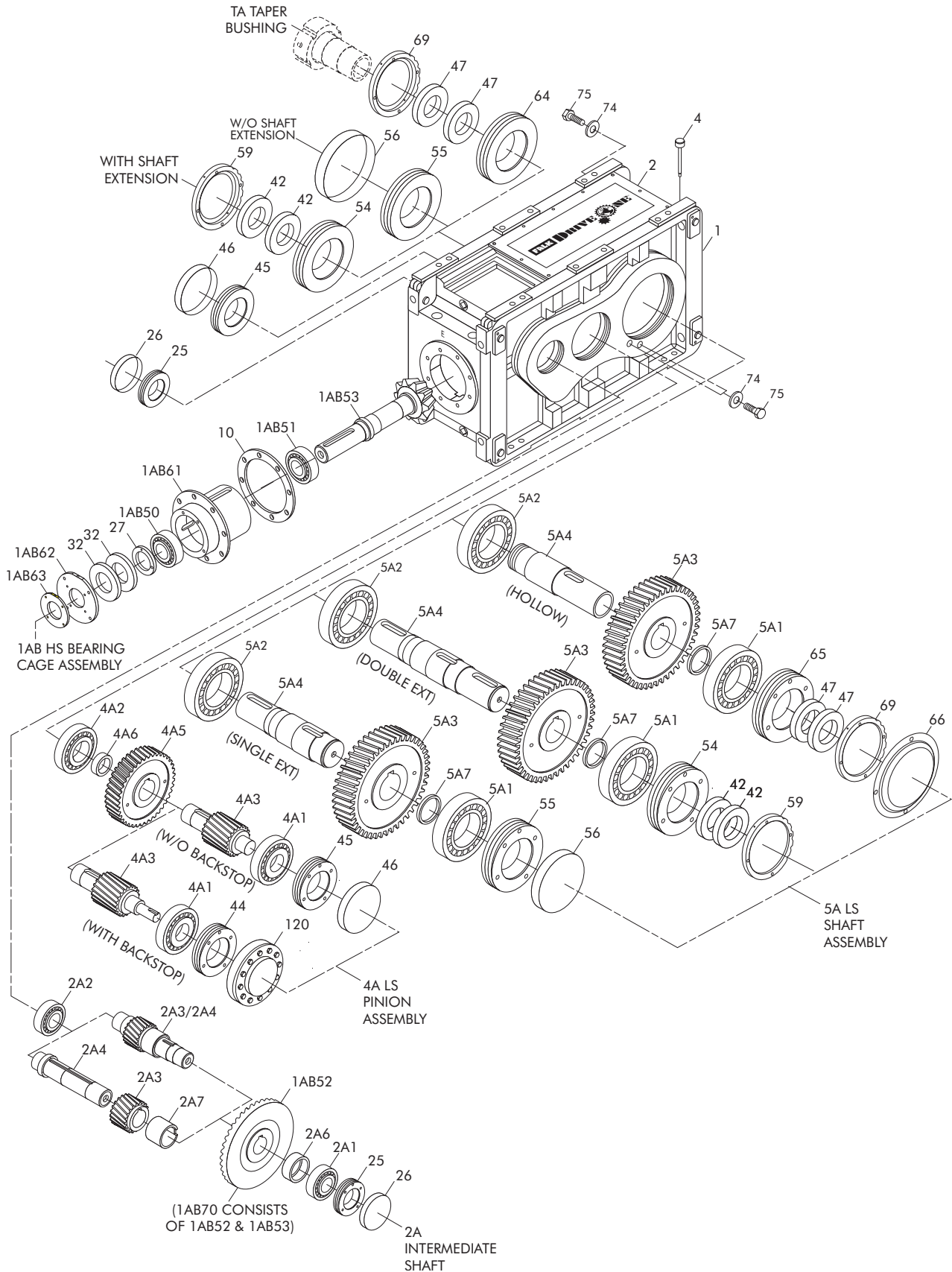


TABLE 1 — Parts List

Ref. No.	Part Description
1	Housing (Consists of Housing, Inspection Cover & all Hardware)
2	Inspection Cover
4	Dipstick
10	Shim-Gasket, H.S. Bearing Cage Carrier
23	Intermediate Retaining Nut Assembly (Incl. Ref. 25, 26 & Hardware)
25	Bearing Adjustment Nut
26	Bore Plug
27	Bearing Retention Nut
32	High Speed Oil Seal
40	Low Speed Pinion Retaining Nut Assembly (Incl. Ref. 45, 46 & Hardware)
41	Low Speed Pinion Retaining Nut Assembly (Incl. Ref. 44 & Hardware)
42	Low Speed Oil Seal
44	Bearing Adjustment Nut
45	Bearing Adjustment Nut
46	Bore Plug
47	Low Speed Oil Seal
50	Low Speed Shaft Retaining Nut Assembly (Incl. Ref. 42, 54, 59 & Hardware)
51	Low Speed Shaft Retaining Nut Assembly (Incl. Ref. 55, 56 & Hardware)
54	Bearing Adjustment Nut
55	Bearing Adjustment Nut
56	Bore Plug
59	Grease Purge Cover
60	Hollow Low Speed Shaft Retaining Nut Assembly (Incl. Ref. 47, 65, 66 & Hardware)
61	Hollow Low Speed Shaft Retaining Nut Assembly (Incl. Ref. 47, 64, 69 & Hardware)
64	Bearing Adjustment Nut
65	Bearing Adjustment Nut
66	Shaft Cover
69	Grease Purge Cover
70	Fan
71	Drive Shroud
72	Fan Shroud (Guard)
74	Fender Washer
75	Bolt
80	Electric Fan/Motor
81	Drive Shroud
120	Backstop Assembly
RK	Repair Kit
1AB	HIGH SPEED BEVEL HEAD ASSEMBLY (Incl. Ref. 1AB50 thru 1AB70 & 27)
1AB50	Bearing
1AB51	Bearing
1AB52	Bevel Gear
1AB53	Bevel Pinion
1AB61	Cage, H.S. Bearing Carrier
1AB62	Cage, Seal
1AB63	Grease Purge Cover
1AB70	Bevel Set
2A	SHAFT ASSEMBLY (Incl. Ref. 2A1 thru 2A7, Except 1AB52)
2A1	Bearing
2A2	Bearing
2A3	Pinion
2A4	Shaft
2A3/2A4	Pinion & Shaft
2A6	Spacer
2A7	Spacer
4A	LOW SPEED PINION ASSEMBLY (Incl. Ref. 4A1 thru 4A6)
4A1	Bearing
4A2	Bearing
4A3	Pinion & Shaft
4A5	Gear
4A6	Spacer
5A	LOW SPEED SHAFT ASSEMBLY (Incl. Ref. 5A1 thru 5A7)
5A1	Bearing
5A2	Bearing
5A3	Gear
5A4	Shaft
5A7	Spacer

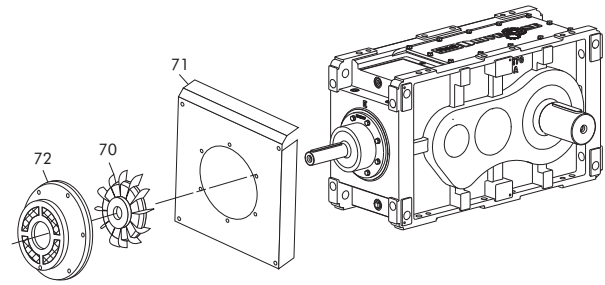
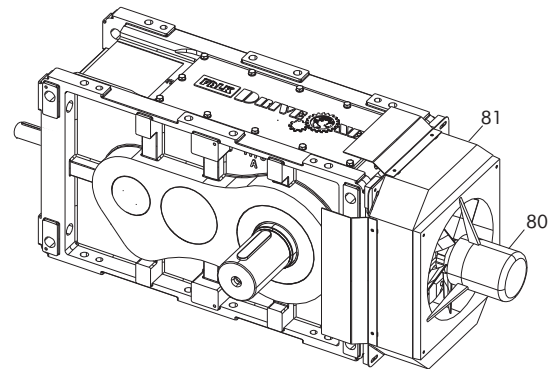
SHAFT FAN PARTS

ELECTRIC FAN PARTS




TABLE 2 — Oil Seals/Falk Part Numbers

DRIVE SIZE	Ratio	H.S. Shaft	L.S. Shaft	
			Solid (DBC)	Hollow (DBT)
			Reference No.	
		32	42	47
M1130	14.0-80.0:1	D003544	D005652	
	90.0-125:1	D004902		
M1140	14.0-80.0:1	D005880	D005879	
	90.0-125:1	D005881		
M1150	14.0-80.0:1	D003722	D004282	
	90.0-125:1	D004481		
M1160	14.0-80.0:1	D003345	D003435	
	90.0-125:1	D003544		
M1170	14.0-80.0:1	D003346	D003719	D003723
	90.0-125:1	D003722		
M1180	14.0-80.0:1	D003434	D004282	D004283
	90.0-125:1	D003345		
M1190	14.0-80.0:1	D003198	D003435	D003199
	90.0-125:1	D003200		
M1200	11.2-63.0	D007908	D004283	D011787
	71.0-100.0	D007907		
M1210	12.5-71.0	D007908	D004283	D011787
	80.0-112.0	D007907		

TABLE 3 — Seal Manufacturer's Part Numbers

Falk Part No.	Manufacturer's Part No.	
	Chicago Rawhide	Transcom
D003198	CR33412	...
D003199	...	240X270X15TC
D003200	...	68X90X10VTF
D003345	...	56X70X8VTF
D003346	...	T60X75X8VTC
D003434	CR29526	...
D003435	...	180X210X15TC
D003544	CR16517	...
D003719	...	140X170X14TC
D003722	CR20435	...
D003723	...	200X230X15TC
D004282	...	170X200X15TC
D004283	...	220X250X15TC
D004481	...	36X52X7VTF
D004902	CR10957	...
D005652	...	130X150X10TC
D005879	...	150X180X15TC
D005880	...	T48X62X8VTC
D005881	CR12781	...
D007907	...	80X100X10VTC
D007908	CR45222	...
D011787	CR110245	...

TABLE 4 — Bearings/Falk Part Numbers

DRIVE SIZE	Ratio	H.S. Shaft	1st Int. Shaft	2nd Int. Shaft	L.S. Shaft	
					Solid (DBC)	Hollow (DBT)
					Reference No.	
		1AB50/1AB51	2A1/2A2	4A1/4A2	5A1/5A2	5A1/5A2
M1130	14.0-45.0:1	D004870	D004870	D003886	D004862	D004862
	50.0-80.0:1		D004285			
	90.0-125:1		D004285			
M1140	14.0-45.0:1	D005592	D004870	D005590	D005589	D005589
	50.0-80.0:1		D005591			
	90.0-125:1		D005591			
M1150	14.0-45.0:1	D002006	D002006	D004418	D004236	D004236
	50.0-80.0:1		D004419			
	90.0-125:1		D004419			
M1160	14.0-45.0:1	D003307	D003307	D003384	D003265	D003265
	50.0-80.0:1		D003500			
	90.0-125:1		D003500			
M1170	14.0-45.0:1	D003036	D002007	D005873	D002009	D002848
	50.0-80.0:1		D002006			
	90.0-125:1		D002006			
M1180	14.0-45.0:1	D004029	D002885	D002889	D004127	D003971
	50.0-80.0:1		D003036			
	90.0-125:1		D003307			
M1190	14.0-45.0:1	D002898	D003384	D002915	D002882	D003073
	50.0-80.0:1		D002885			
	90.0-125:1		D002007			
M1200	11.2-35.5	D005872	D002898	D007949	D003971	D007950
	40.0-63.0		D002008			
	71.0-100.0		D002008			
M1210	12.5-40.0	D005872	D002898	D007949	D003971	D007950
	45.0-71.0		D002008			
	80.0-112.0		D002008			

TABLE 5 — Bearing Manufacturer's Part Numbers

Falk Part No.	Manufacturer's Part No.
D002006	32311 J2
D002007	32314 J2/Q
D002008	32317 J2
D002009	30228 J2
D002848	32940
D002882	32036X
D002885	32315
D002889	32320 J2
D002898	32318 J2
D002915	32321 J2
D003036	32313 J2/Q
D003073	32048X
D003265	32936
D003307	32312 J2/Q
D003384	33217 Q
D003500	32309 J2/Q
D003886	33210 Q
D003971	32044X
D004029	32316 J2
D004127	32034X
D004236	32934
D004285	32306 J2/Q
D004418	33215 Q
D004419	32308 J2/Q
D004862	32926
D004870	33209 Q
D005589	32030X
D005590	33212 Q
D005591	32307 J2/Q
D005592	32310 J2/Q
D005872	32224
D005873	32317 BJ2
D007949	32230 J2
D007950	32956 C02