

## Introduction

This literature applies to standard gear drives with ratings, speeds, ratios and dimensions as catalogued in current Falk selection guides. Refer to the Factory for all specials and modifications.

- IDENTIFY DRIVE** — Give complete data shown on drive nameplate. Also, give reference numbers, Falk part numbers, and name of parts required. Drawings and reference numbers are representative of all sizes and the actual parts may not agree in exact detail for each drive size. Complete nameplate data and parts reference number will assure receipt of correct parts.

### Sample Nameplate

MODEL	M1170DVA2AN-25.01-DD0025		
M.O. S/N	06-065938-02	RATIO	25.01
RPM n1/n2	1669/66.7	APPLIED POWER	200 HP
CATALOG POWER	312 HP	SERVICE FACTOR	1.56
DATE	03-06	APPROX. OIL	14 GAL
SEE OWNER'S MANUAL FOR INSTALLATION AND SERVICE			
<b>LUBRICATION</b>			
FILL TO LEVEL INDICATED WITH EXTREME PRESSURE OIL PER REQUIREMENTS. CHANGE OIL EVERY 2500 HOURS OR SIX MONTHS, WHICHEVER OCCURS FIRST. FAILURE TO FOLLOW INSTRUCTIONS VOIDS WARRANTY.			
AMBIENT TEMPERATURE		ISO-VG	AGMA
-9 TO +16°C (15 TO 60°F)		220 EP	5 EP
+10 TO +52°C (50 TO 125°F)		320 EP	6 EP
Rexnord Industries, LLC www.rexnord.com			D003012

**NOTE:** It is recommended that the shaft seals be replaced whenever it becomes necessary to disturb a seal in the process of disassembling a drive. It is also recommended that the Repair Kit, consisting of a full set of seals, bearings and bore plugs be considered when disassembling a drive for servicing.

**PINIONS, GEARS & SHAFTS** — Replacement of a pinion, gear or shaft may also require the replacement of the respective connected parts. It is recommended that the Factory be contacted to help make that determination.

**FASTENERS** — DRIVE ONE fasteners are generally re-usable. If replacement fasteners are required, consult the drive service manual for sizing and grade information for local availability. The Factory will of course furnish fastener kits if required. Simply identify the part for which they are required.

**SHAFT COUPLINGS & OTHER DRIVE ACCESSORIES** — Refer to coupling parts guide or appropriate accessory product literature for servicing or replacement information.

- ORDER PLACEMENT** — Place your order with your local Sales Representative or Distributor. If you need assistance call the number below.

## Bearing & Seal Identification

Refer to the exploded views on Page 2 to identify the bearings and oil seals by the parts list Reference Number and to determine the Manufacturer and Manufacturer's part number.

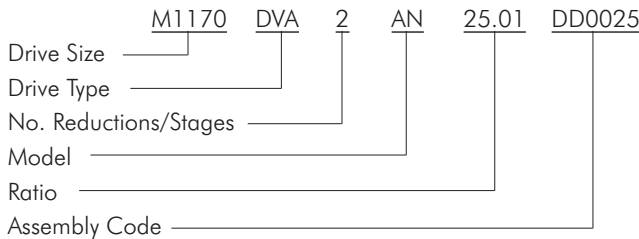
## Corrosion Protection & Storage

**CAUTION:** Follow guidelines below to avoid damage to parts.

- For domestic or indoor storage, Factory provides standard 24 month protection as boxed or optional 24 month protection for individual parts.
- For export or outdoor storage, Factory provides optional 18 month protection.

**CAUTION:** This protection does not cover exposure to elements such as standing water, etc.

### Drive Identification



- IDENTIFY INDIVIDUAL PARTS** — Use exploded view on Page 2 to determine Ref. No. of required parts.

Parts Diagram

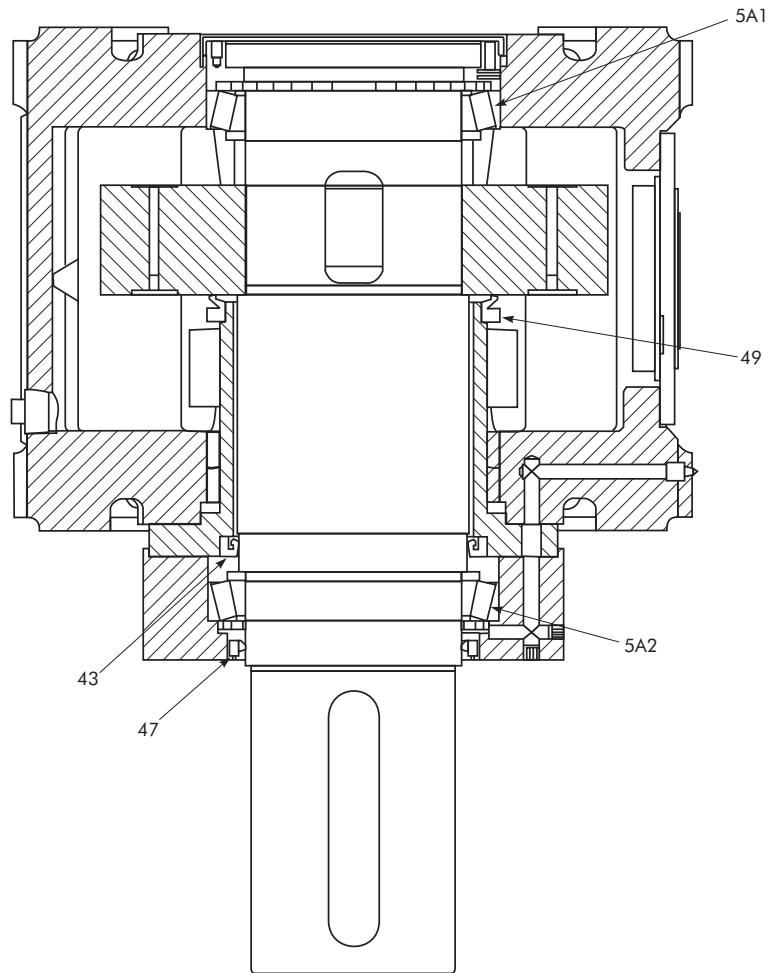


TABLE 1 — Parts List

Ref. No.	Part Description	Falk Part Number				
		M1150	M1160	M1170	M1180	M1190
5A1	Bearing	D004236	D003265	D002848	D003971	D003073
5A2	Bearing	D004236	D003265	D002848	D003971	D003073
43	Low Speed Oil Seal Inner	D003435	D003723	D004283	D003199	D005552
47	Low Speed Oil Seal Outer	D004282	D003435	D003723	D004283	D003199
49	V-Ring Seal	2907927	2916261	2912858	2913534	2916224