

Introduction

This literature applies to standard gear drives with ratings, speeds, ratios and dimensions as catalogued in current Rexnord selection guides. Refer to Factory for all specials and modifications.

- IDENTIFY DRIVE** — Give complete data shown on drive nameplate. Also, give reference numbers, Falk part numbers, and name of parts required. Drawings and reference numbers are representative of all sizes and the actual parts may not agree in exact detail for each drive size. Complete nameplate data and parts reference number will assure receipt of correct parts.

Sample Nameplate

MODEL	M1170DHC1AN-2.474-LD0016		
M.O. S/N	02-065938-02	RATIO	2.474
RPM n1/n2	1750/707	APPLIED POWER	1500 HP
CATALOG POWER	3000 HP	SERVICE FACTOR	2.00
DATE	03-02	APPROX. OIL	12 GAL
SEE OWNER'S MANUAL FOR INSTALLATION AND SERVICE			
LUBRICATION			
FILL TO LEVEL INDICATED WITH EXTREME PRESSURE OIL PER REQUIREMENTS. CHANGE OIL EVERY 2500 HOURS OR SIX MONTHS, WHICHEVER OCCURS FIRST. FAILURE TO FOLLOW INSTRUCTIONS VOIDS WARRANTY.			
AMBIENT TEMPERATURE		ISO-VG	AGMA
-9 TO +16°C (15 TO 60°F)		220 EP	5 EP
+10 TO +52°C (50 TO 125°F)		320 EP	6 EP
Rexnord Industries, LLC www.rexnord.com			D003012

NOTE: It is recommended that the shaft seals be replaced whenever it becomes necessary to disturb a seal in the process of disassembling a drive. It is also recommended that the Repair Kit, Ref. No. "RK", consisting of a full set of seals, bearings and bore plugs be considered when disassembling a drive for servicing.

PINIONS, GEARS & SHAFTS — Replacement of a pinion, gear or shaft may also require the replacement of the respective connected parts. It is recommended that Rexnord be contacted to help make that determination.

FASTENERS — DRIVE ONE fasteners are generally re-usable. If replacement fasteners are required, consult the drive service manual for sizing and grade information for local availability. The Factory will of course furnish fastener kits if required. Simply identify the part for which they are required.

SHAFT COUPLINGS & OTHER DRIVE ACCESSORIES — Refer to coupling parts guide or appropriate accessory product literature for servicing or replacement information.

- ORDER PLACEMENT** — Place your order with your local Rexnord Representative or Distributor. If you need assistance call the number below.

Bearing & Seal Identification

Refer to the exploded views on Page 2 to identify the bearings and oil seals by the parts list Reference Number. Then refer to Tables 2 thru 5, Page 4, to determine the Manufacturer and Manufacturer's part number.

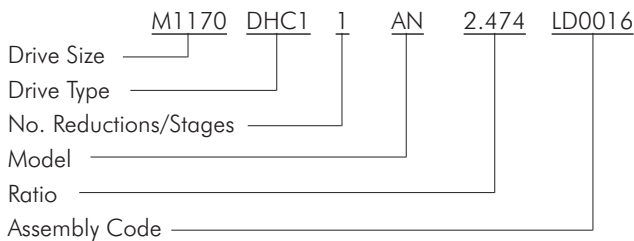
Corrosion Protection & Storage

CAUTION: Follow guidelines below to avoid damage to parts.

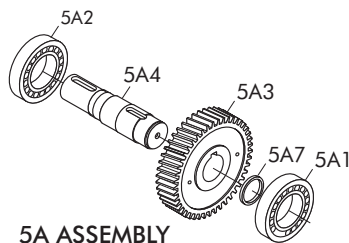
- For domestic or indoor storage, Factory provides standard 24 month protection as boxed or optional 24 month protection for individual parts.
- For export or outdoor storage, Factory provides optional 18 month protection.

CAUTION: This protection does not cover exposure to elements such as standing water, etc.

Drive Identification



- IDENTIFY INDIVIDUAL PARTS** — Use exploded view on Page 2 to determine Ref. No. of required parts.



Ref. No.	Part Description
5A1	Bearing
5A2	Bearing
5A3	Gear
5A4	Shaft
5A7	Spacer

5A ASSEMBLY

Parts Diagram

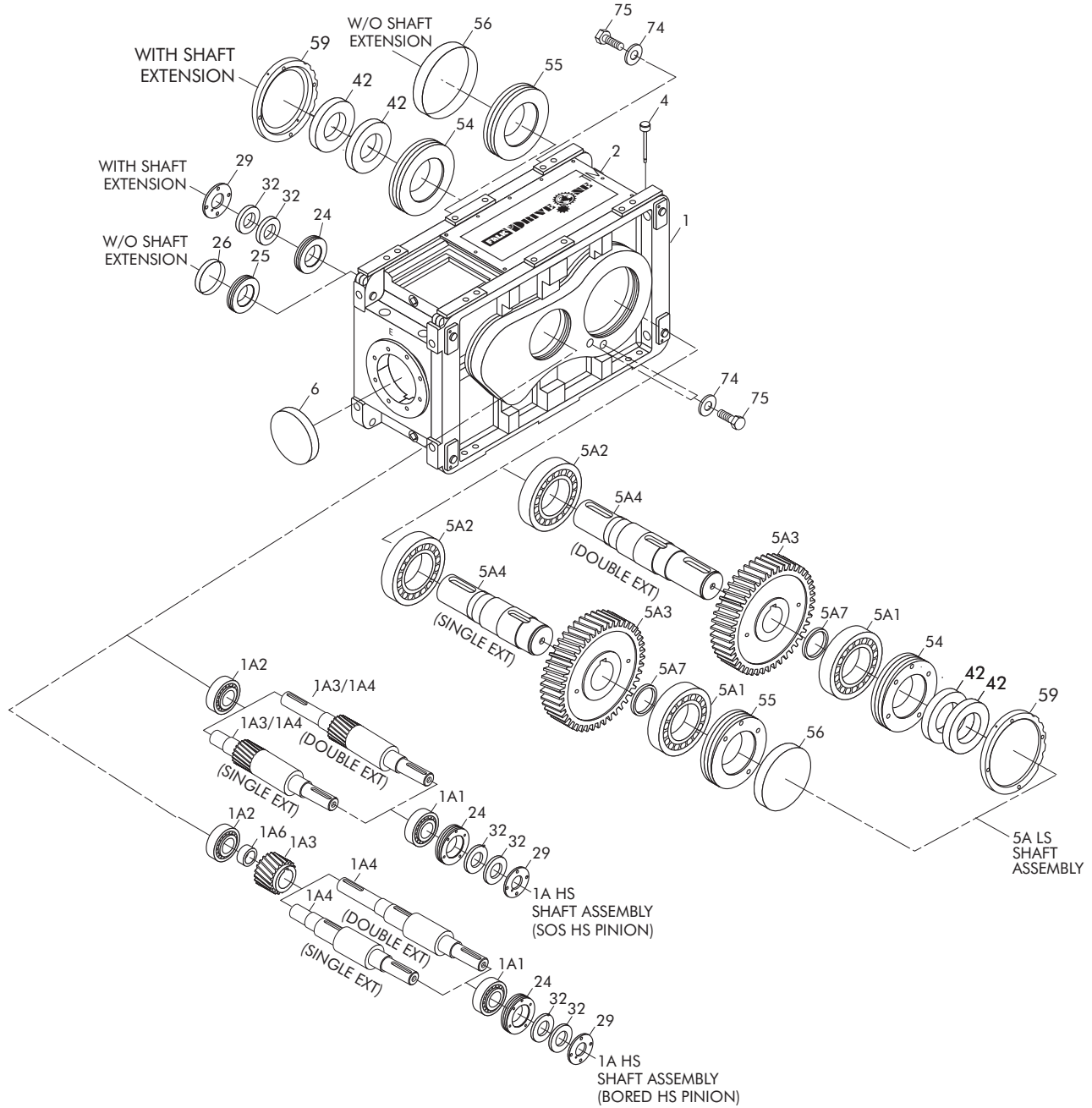


TABLE 1 — Parts List

Ref. No.	Part Description
1	Housing (Consists of Housing, Bore Plug, Inspection Cover & all Hardware)
2	Inspection Cover
4	Dipstick
6	Housing Bore Plug
20	High Speed Retaining Nut Assembly (Incl. Ref. 24, 29, 32 & Hardware)
21	High Speed Retaining Nut Assembly (Incl. Ref. 25, 26 & Hardware)
24	Bearing Adjustment Nut
25	Bearing Adjustment Nut
26	Bore Plug
29	Grease Purge Cover
32	High Speed Oil Seal
42	Low Speed Oil Seal
50	Low Speed Shaft Retaining Nut Assembly (Incl. Ref. 42, 54, 59 & Hardware)
51	Low Speed Shaft Retaining Nut Assembly (Incl. Ref. 55, 56 & Hardware)
54	Bearing Adjustment Nut
55	Bearing Adjustment Nut
56	Bore Plug
59	Grease Purge Cover
74	Fender Washer
75	Bolt
80	Electric Fan/Motor
81	Drive Shroud
RK	Repair Kit
1A	HIGH SPEED SHAFT ASSEMBLY (Incl. Ref. 1A1 thru 1A4 & 1A6)
1A1	Bearing
1A2	Bearing
1A3	Pinion
1A4	Shaft
1A3/1A4	Pinion & Shaft
1A6	Spacer
5A	LOW SPEED SHAFT ASSEMBLY (Incl. Ref. 5A1 thru 5A7)
5A1	Bearing
5A2	Bearing
5A3	Gear
5A4	Shaft
5A7	Spacer

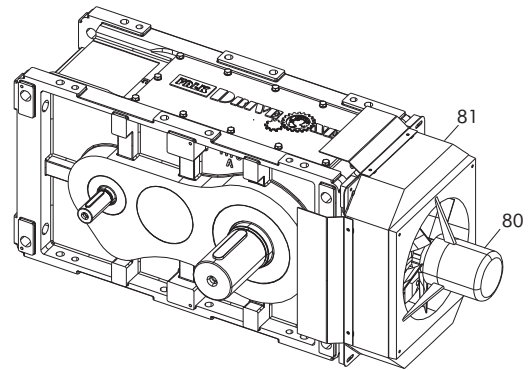
ELECTRIC FAN PARTS




TABLE 2 - Oil Seals/Falk Part Numbers

Drive Size	Nominal Ratio	HS Shaft	LS Shaft
		Reference No.	
		32	42
M1130	1.25-3.15	D006043	D005652
	3.55-5.60	D003721	
M1140	1.25-3.15	D003434	D005879
	3.55-5.60	D003346	
M1150	1.25-3.15	D003198	D004282
	3.55-5.60	D003720	
M1160	1.25-2.80	D005979	D003435
	3.15-5.60	D003198	
M1170	1.25-3.55	D005878	D003719
	4.00-5.60	D003198	
M1180	1.25-2.80	D005734	D004282
	3.15-5.60	D005735	
M1190	1.25-4.00	D005621	D003435
	4.50-5.60	D005622	

TABLE 3 — Seal Manufacturer's Part Numbers

Falk Part No.	Manufacturer's Part No.	
	Chicago Rawhide	Transcom
	D003198	CR33412
D003346	...	T60X75X8VTC
D003434	CR29526	...
D003435	...	T180x210x15TC
D003719	...	T140x170x14TC
D003720	...	T70x100x10VTF
D003721	...	T55x70x8VSB
D004282	...	T170x200x15TC
D005621	...	T140x170x14VTM
D005622	...	T105x130x12VTF
D005652	...	T130x150x10TC
D005734	...	T130x160x12VTF
D005735	...	T100x125x13VTM
D005878	CR47254	...
D005879	CR59076	T150x180x15TC
D006043	...	T70x90x10VTF

TABLE 4- Bearings/Falk Part Numbers

Drive Size	Nominal Ratio	HS Shaft	LS Shaft
		Reference No.	
		1A1/1A2	5A1/5A2
M1130	1.25-3.15	D006044	D004862
	3.55-5.60	D006050	
M1140	1.25-3.15	D004418	D005589
	3.55-5.60	D003307	
M1150	1.25-3.15	D003384	D004236
	3.55-5.60	D002007	
M1160	1.25-2.80	D005978	D003265
	3.15-5.00	D005873	
	5.60	D003384	
M1170	1.25-3.55	D005872	D002009
	4.00-5.60	D005873	
M1180	1.25-2.80	D005731	D004127
	3.15-5.60	D002889	
M1190	1.25-4.00	D005619	D002882
	4.50-5.60	D002915	

TABLE 5 — Bearing Manufacturer's Part Numbers

Falk P/N	Manufacturer's Part No.
D002007	32314 J2/Q
D002009	30228 J2
D002882	32036X
D002889	32320 J2
D002915	32321 J2
D003265	32936
D003307	32312 J2/Q
D003384	33217 Q
D004127	32034X
D004236	32934
D004418	33215 Q
D004862	32926
D005589	32030X
D005619	32228
D005731	32226
D005872	32224
D005873	32317 BJ2
D005978	33122
D006044	33114
D006050	30311 J2/Q