

## Introduction

This literature applies to standard gear drives with ratings, speeds, ratios and dimensions as catalogued in current Falk selection guides. Refer to the Factory for all specials and modifications.

1. **IDENTIFY DRIVE** — Give complete data shown on drive nameplate. Also, give reference numbers, part numbers, and name of parts required. Drawings and reference numbers are representative of all sizes and the actual parts may not agree in exact detail for each drive size. Complete nameplate data and parts reference number will assure receipt of correct parts.

### Sample Nameplate

<b>FALK DRIVE ONE®</b>			
MODEL	M1140DHL1AN-1.971-LD0025		
M.O. S/N	05-066788-01	RATIO	1.971:1
RPM n1/n2	3547/1800	APPLIED POWER	220 HP
CATALOG POWER	489 HP	SERVICE FACTOR	2.22
DATE	07/05	APPROX. OIL	6.5 GAL.

SEE OWNER'S MANUAL FOR INSTALLATION AND SERVICE

**LUBRICATION**

FILL TO LEVEL INDICATED WITH EXTREME PRESSURE OIL PER REQUIREMENTS. CHANGE OIL EVERY 2500 HOURS OR SIX MONTHS, WHICHEVER OCCURS FIRST. FAILURE TO FOLLOW INSTRUCTIONS VOIDS WARRANTY.

AMBIENT TEMPERATURE	ISO-VG	AGMA
-9 TO +16°C (15 TO 60°F)	220 EP	5 EP
+10 TO +52°C (50 TO 125°F)	320 EP	6 EP

Rexnord Industries, LLC  
www.rexnord.com

D003012

**NOTE:** It is recommended that the shaft seals be replaced whenever it becomes necessary to disturb a seal in the process of disassembling a drive. It is also recommended that the Repair Kit, Ref. No. "RK", consisting of a full set of seals, bearings and bore plugs be considered when disassembling a drive for servicing.

**PINIONS, GEARS & SHAFTS** — Replacement of a pinion, gear or shaft may also require the replacement of the respective connected parts. It is recommended that the Factory be contacted to help make that determination.

**FASTENERS** — DRIVE ONE fasteners are generally re-usable. If replacement fasteners are required, consult the drive service manual for sizing and grade information for local availability. The Factory will of course furnish fastener kits if required. Simply identify the part for which they are required.

**SHAFT COUPLINGS & OTHER DRIVE ACCESSORIES** — Refer to coupling parts guide or appropriate accessory product literature for servicing or replacement information.

3. **ORDER PLACEMENT** — Place your order with your local Representative or Distributor. If you need assistance call the number below.

## Bearing & Seal Identification

Refer to the exploded views on Page 2 to identify the bearings and oil seals by the parts list Reference Number. Then refer to Tables 2 thru 5, Page 4, to determine the Manufacturer and Manufacturer's part number.

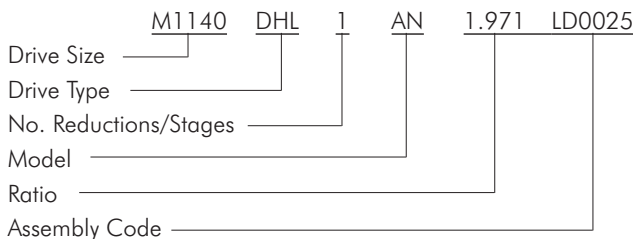
## Corrosion Protection & Storage

**CAUTION:** Follow guidelines below to avoid damage to parts.

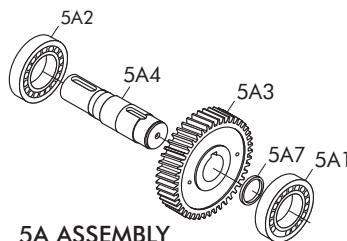
1. For domestic or indoor storage, Factory provides standard 24 month protection as boxed or optional 24 month protection for individual parts.
2. For export or outdoor storage, Factory provides optional 18 month protection.

**CAUTION:** This protection does not cover exposure to elements such as standing water, etc.

## Drive Identification

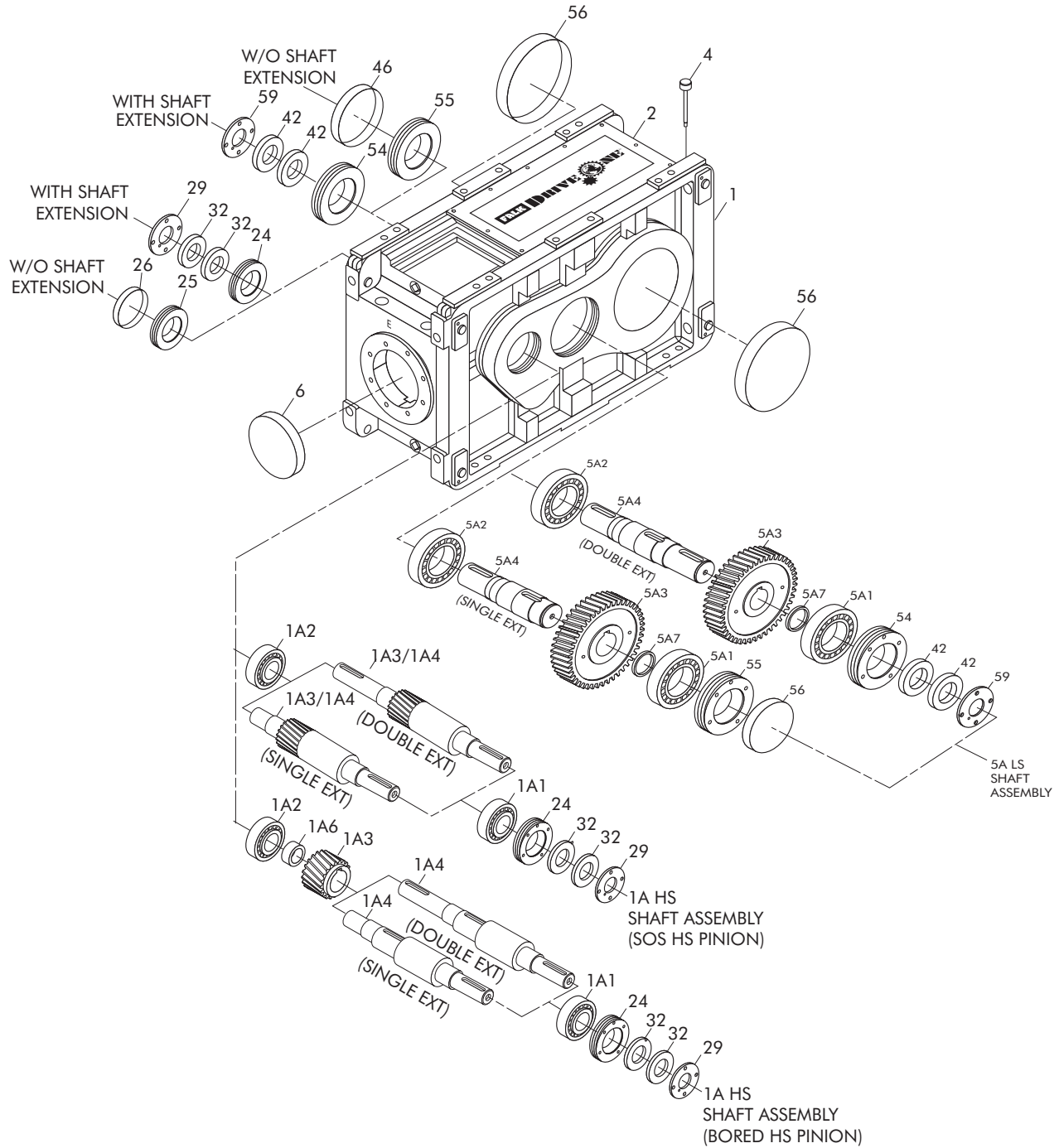


2. **IDENTIFY INDIVIDUAL PARTS** — Use exploded view on Page 2 to determine Ref. No. of required parts.



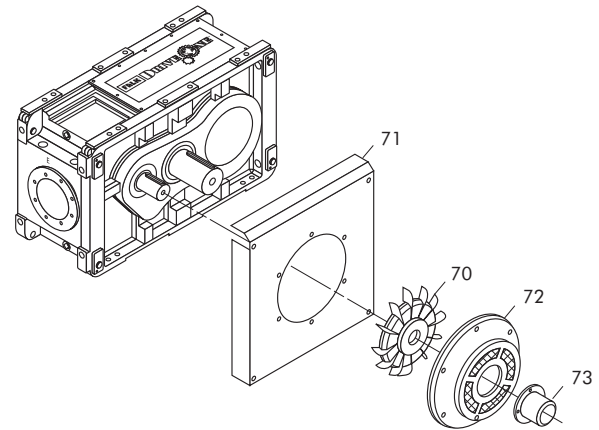
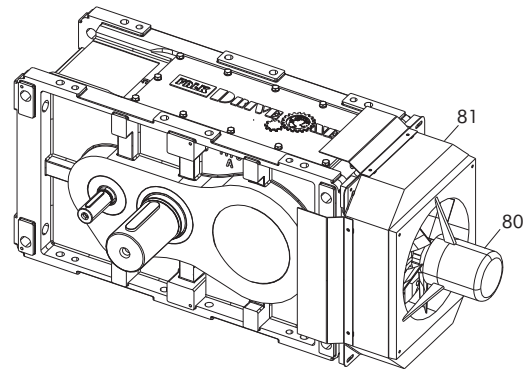
Ref. No.	Part Description
5A1	Bearing
5A2	Bearing
5A3	Gear
5A4	Shaft
5A7	Spacer

Parts Diagram



**TABLE 1 — Parts List**

Ref. No.	Part Description
1	Housing (Consists of Housing, Bore Plug, Inspection Cover & all Hardware)
2	Inspection Cover
4	Dipstick
6	Housing Bore Plug
20	High Speed Retaining Nut Assembly (Incl. Ref. 24, 29, 32 & Hardware)
21	High Speed Retaining Nut Assembly (Incl. Ref. 25, 26 & Hardware)
24	Bearing Adjustment Nut
25	Bearing Adjustment Nut
26	Bore Plug
29	Grease Purge Cover
32	High Speed Oil Seal
40	Low Speed Pinion Retaining Nut Assembly (Incl. Ref. 45, 46 & Hardware)
41	Low Speed Pinion Retaining Nut Assembly (Incl. Ref. 44 & Hardware)
42	Low Speed Oil Seal
46	Bore Plug
50	Low Speed Shaft Retaining Nut Assembly (Incl. Ref. 42, 54, 59 & Hardware)
51	Low Speed Shaft Retaining Nut Assembly (Incl. Ref. 55, 56 & Hardware)
54	Bearing Adjustment Nut
55	Bearing Adjustment Nut
56	Bore Plug
59	Grease Purge Cover
60	Hollow Low Speed Shaft Retaining Nut Assembly (Incl. Ref. 47, 65, 66 & Hardware)
61	Hollow Low Speed Shaft Retaining Nut Assembly (Incl. Ref. 47, 64, 69 & Hardware)
70	Fan
71	Drive Shroud
72	Fan Shroud (Guard)
73	Shaft Cover
80	Electric Fan/Motor
81	Drive Shroud
RK	Repair Kit
1A	<b>HIGH SPEED SHAFT ASSEMBLY</b> (Incl. Ref. 1A1 thru 1A4 & 1A6)
1A1	Bearing
1A2	Bearing
1A3	Pinion
1A4	Shaft
1A3/1A4	Pinion & Shaft
1A6	Spacer
5A	<b>LOW SPEED SHAFT ASSEMBLY</b> (Incl. Ref. 5A1 thru 5A7)
5A1	Bearing
5A2	Bearing
5A3	Gear
5A4	Shaft
5A7	Spacer

**SHAFT FAN PARTS**

**ELECTRIC FAN PARTS**


**TABLE 2 — Oil Seals/Falk Part Numbers**

DRIVE SIZE	Ratio	H.S. Shaft	L.S. Shaft
		Reference No.	
		32	42
1130	1.25-3.15	D003347	D003347
	3.55-5.60	D004601	
1140	1.25-3.15	D003347	D003346
	3.55-5.60	D003349	
1150	1.25-3.15	D003721	D003434
	3.55-5.60	D003347	
1160	1.25-3.15	D003346	D003198
	3.55-5.60	D003347	
1170	1.25-3.15	D003720	D003198
	3.55-5.60	D003721	
1180	1.25-3.15	D003434	D005735
	3.55-5.60	D004281	
1190	1.25-3.15	D003198	D005622
	3.55-5.60	D003434	
1200	1.25-3.15	D007906	2927492
	3.55-5.60	D007905	

**TABLE 3 — Seal Manufacturer's Part Numbers**

Falk Part No.	Manufacturer's Part No.	
	Chicago Rawhide	Transcom
	D003198	CR33412
D003346	...	T60X75X8VTC
D003347	CR11753	T45X62X7VTC
D003349	CR13963	...
D003434	CR29526	...
D003720	...	T70X100X10VTC
D003721	CR21611	...
D004281	CR25426	...
D004601	...	T30X47X7VTC
D005622	...	T105X130X12VTF
D005735	...	T100X125X13VTM
D007905	...	T85X110X12VTC
D007906	CR35435	90X120X12VTF
2927492	CR59061	...

**TABLE 4 — Bearings/Falk Part Numbers**

DRIVE SIZE	Ratio	H.S. Shaft	L.S. Shaft
		Reference No.	
		1A1/1A2	5A1/5A2
1130	1.25-3.15	D004870	D003886
	3.55-5.60	D004285	
1140	1.25-3.15	D004870	D005590
	3.55-5.60	D005591	
1150	1.25-3.15	D002006	D004418
	3.55-5.60	D004419	
1160	1.25-3.15	D003307	D003384
	3.55-5.60	D003500	
1170	1.25-3.15	D002007	D005873
	3.55-5.60	D002006	
1180	1.25-3.15	D002885	D002889
	3.55-5.60	D003036	
1190	1.25-3.15	D003384	D002915
	3.55-5.60	D002885	
1200	1.25-3.15	D002898	D007949
	3.55-5.60	D002008	

**TABLE 5 — Bearing Manufacturer's Part Numbers**

Falk Part No.	Manufacturer's Part No.
D002006	32311 J2
D002007	32314 J2/Q
D002008	32317 J2
D002885	32315
D002889	32320 J2
D002898	32318 J2
D002915	32321 J2
D003036	32313 J2/Q
D003307	32312 J2/Q
D003384	33217 Q
D003500	32309 J2/Q
D003886	33210 Q
D004285	32306 J2/Q
D004418	33215 Q
D004419	32308 J2/Q
D004870	33209 Q
D005590	33212 Q
D005591	32307 J2/Q
D005873	32317 BJ2
D007949	32230 J2